



Chipsmall Limited consists of a professional team with an average of over 10 year of expertise in the distribution of electronic components. Based in Hongkong, we have already established firm and mutual-benefit business relationships with customers from,Europe,America and south Asia,supplying obsolete and hard-to-find components to meet their specific needs.

With the principle of “Quality Parts,Customers Priority,Honest Operation,and Considerate Service”,our business mainly focus on the distribution of electronic components. Line cards we deal with include Microchip,ALPS,ROHM,Xilinx,Pulse,ON,Everlight and Freescale. Main products comprise IC,Modules,Potentiometer,IC Socket,Relay,Connector.Our parts cover such applications as commercial,industrial, and automotives areas.

We are looking forward to setting up business relationship with you and hope to provide you with the best service and solution. Let us make a better world for our industry!



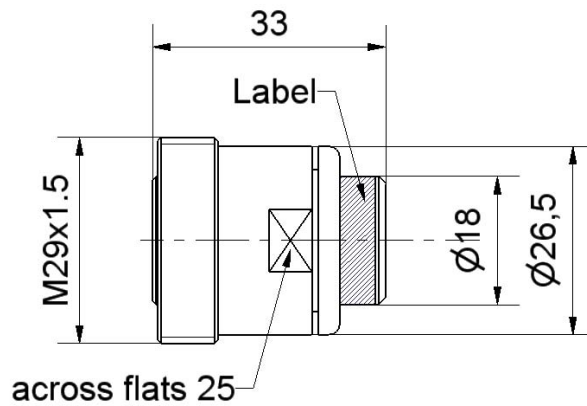
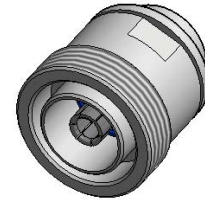
Contact us

Tel: +86-755-8981 8866 Fax: +86-755-8427 6832

Email & Skype: info@chipsmall.com Web: www.chipsmall.com

Address: A1208, Overseas Decoration Building, #122 Zhenhua RD., Futian, Shenzhen, China





All dimensions are in mm; tolerances according to ISO 2768 m-H

Interface

According to

IEC 60169-4, VG 95250, EN 122190, DIN 47223

Documents

N/A

Material and plating

Connector parts

- Center conductor
- Outer conductor
- Dielectric
- Substrate

Material

- Beryllium copper
- Brass
- PPE
- Al₂O₃

Plating

- Silver, 3-6 µm
- Flash white bronze over silver(e.g. Optargen®)

Dieses Dokument ist urheberrechtlich geschützt • This document is protected by copyright • Rosenberger Hochfrequenztechnik GmbH & Co. KG

RF_35/05.10/6.0

Electrical data

| | |
|-----------------|---|
| Frequency range | DC to 3 GHz |
| Return loss | ≥ 34.1 dB, DC to 2 GHz ≥ 26.0 dB, 2 GHz to 3 GHz |
| DC Resistance | 50 Ω |
| Power handling | ≤ 2 W at 25°C derated linearity to 0 Watts at 85°C |

Mechanical data

| | |
|------------------------|-------------|
| Mating cycles | ≥ 500 |
| Coupling nut retention | ≥ 1000 N |
| Recommended torque | 25 to 30 Nm |
| Proof torque | ≤ 35 Nm |

Environmental data

| | |
|--|------------------|
| Operating temperature range ¹ | -40 °C to +85 °C |
| Storage temperature range | -40 °C to +85 °C |
| 2002/95/EC (RoHS) | compliant |

¹ Temperature range over which these specifications are valid.

Packing

| | |
|----------|--------------|
| Standard | 1 pce in bag |
| Weight | 85 g/pce |

Dieses Dokument ist urheberrechtlich geschützt • This document is protected by copyright • Rosenberger Hochfrequenztechnik GmbH & Co. KG

RF_35/05.10/6.0

| Draft | Date | Approved | Date | Rev. | Engineering change number | Name | Date |
|--|----------|------------|----------|---|---------------------------|------------------|---------------|
| Kerstin Herzog | 28/07/05 | Frank Weiß | 23/05/12 | b00 | 12-0448 | Marion Striegler | 23/05/12 |
| Rosenberger Hochfrequenztechnik GmbH & Co. KG P.O.Box 1260 D-84526 Tittmoning Germany www.rosenberger.de | | | | Tel. : +49 8684 18-0 Fax : +49 8684 18-499 Email : info@rosenberger.de | | | Page 2 / 2 |