



Chipsmall Limited consists of a professional team with an average of over 10 year of expertise in the distribution of electronic components. Based in Hongkong, we have already established firm and mutual-benefit business relationships with customers from,Europe,America and south Asia,supplying obsolete and hard-to-find components to meet their specific needs.

With the principle of "Quality Parts,Customers Priority,Honest Operation,and Considerate Service",our business mainly focus on the distribution of electronic components. Line cards we deal with include Microchip,ALPS,ROHM,Xilinx,Pulse,ON,Everlight and Freescale. Main products comprise IC,Modules,Potentiometer,IC Socket,Relay,Connector.Our parts cover such applications as commercial,industrial, and automotives areas.

We are looking forward to setting up business relationship with you and hope to provide you with the best service and solution. Let us make a better world for our industry!



## Contact us

Tel: +86-755-8981 8866 Fax: +86-755-8427 6832

Email & Skype: info@chipsmall.com Web: www.chipsmall.com

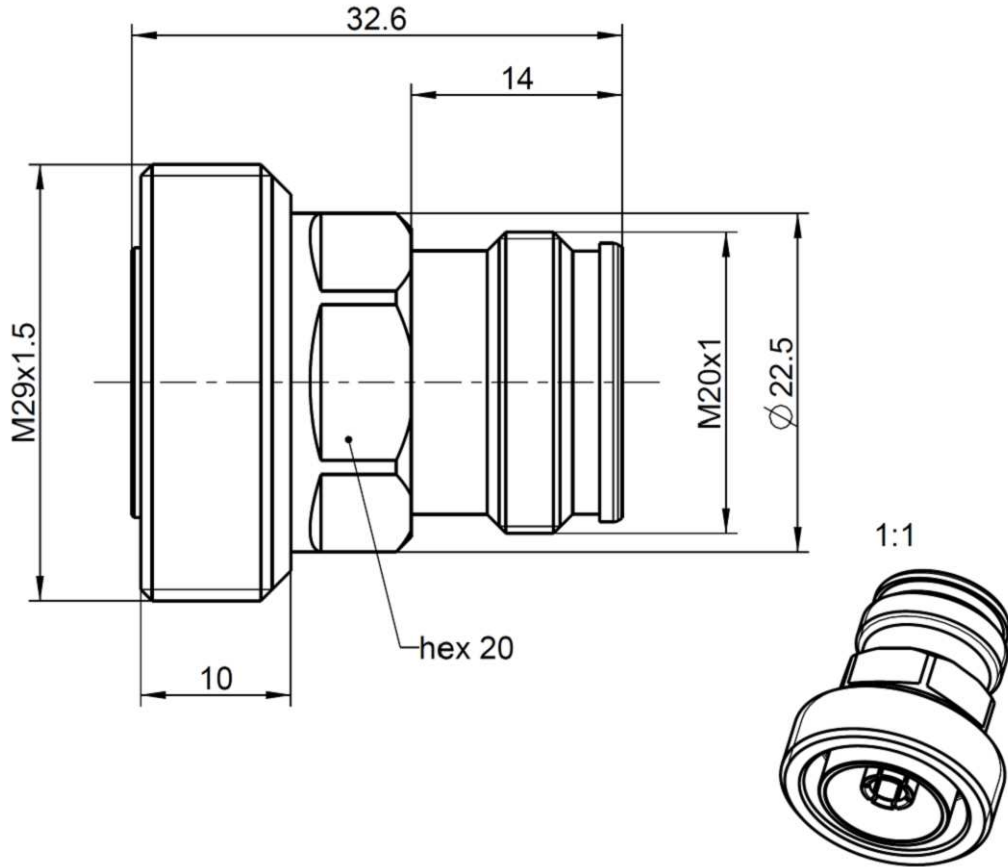
Address: A1208, Overseas Decoration Building, #122 Zhenhua RD., Futian, Shenzhen, China



7-16  
4.3-10

Adaptor  
7-16 Jack – 4.3-10 Jack

**60K164-K00N1**



All dimensions are in mm; tolerances according to ISO 2768 m-H

**Interface**

According to 4.3-10 side: IEC 61169-54  
7/16 side: IEC 61169-4, EN 122190, DIN 47223

**Documents**

Assembly instruction N/A

**Material and Plating**

**Connector parts**

Center contact	<b>Material</b> CuBe	<b>Plating</b> Silver, 3-6 µm
Outer contact	Brass	Silver, 3-6 µm
Body	Brass	Flash white bronze over silver(e.g. Optargen®)
Dielectric	PTFE	

Dieses Dokument ist urheberrechtlich geschützt • This document is protected by copyright • Rosenberger Hochfrequenztechnik GmbH & Co. KG

RF\_35/05.10/6.0

7-16  
4.3-10

Adaptor  
7-16 Jack – 4.3-10 Jack

**60K164-K00N1**

**Electrical Data**

Impedance 50 Ω  
 Frequency DC to 7.5 GHz  
 Return loss ≥ 32 dB @ DC to 6 GHz  
 Insertion loss ≤ 0.05 x √ f [GHz] dB  
 Insulation resistance ≥ 5 GΩ  
 Center contact resistance ≤ 1.0 mΩ, 4.3-10 side ≤ 0.4 mΩ, 7/16 side  
 Outer contact resistance ≤ 1.0 mΩ, 4.3-10 side ≤ 1.5 mΩ, 7/16 side  
 Test voltage 2500 V rms  
 Working voltage 500 V rms  
 RF-leakage ≥ 110 dB @ DC to 6 GHz for tool tightened plugs  
 ≥ 90 dB @ DC to 3 GHz for tool-less plugs  
 ≥ 70 dB @ 3 to 6 GHz for tool-less plugs  
 Power handling (at 90 °C, altitude 3000m) 500 W @ 2.0 GHz  
 Intermodulation (3<sup>rd</sup> order) ≥ 160 dBc (2 x 46 dBm) @ 0.4 – 4.0 GHz  
 ≥ 166 dBc (2 x 43 dBm) @ 0.4 – 4.0 GHz

**Mechanical Data**

	4.3-10 side	7/16 side
Mating cycles	≥ 100	min. 500
Center contact captivation:	axial	≥ 30 N
	radial	≥ 200 N
Recommended torque	> 5 Ncm	≥ 2 Ncm
Engagement force	5 Nm	25 to 30 Nm
Disengagement force	typ. 100 N	N/A
	typ. 80 N	N/A

**Environmental Data**

Temperature range -55 °C to +90 °C operating temperature  
 Thermal shock IEC 61169-1 9.4.4  
 Corrosion resistance ISO 21207 method B  
 Vibration IEC 61169-1 9.3.3 and IEC 60068-2-64  
 Shock IEC 61169-1 9.3.14  
 Degree of protection (mated pair) IEC 60529, IP68 1h / 25m  
 RoHS compliant

**Weight**

Weight 58 g/pc

While the information has been carefully compiled to the best of our knowledge, nothing is intended as representation or warranty on our part and no statement herein shall be construed as recommendation to infringe existing patents. In the effort to improve our products, we reserve the right to make changes judged to be necessary.

Draft	Date	Approved	Date	Rev.	Engineering change number	Name	Date
M. Wimmer	13.10.2016	J. Peteranderl	15.03.17	a00	17-s093	S. Krautenb.	15.03.17
Rosenberger Hochfrequenztechnik GmbH & Co. KG P.O.Box 1260 D-84526 Tittmoning Germany <a href="http://www.rosenberger.de">www.rosenberger.de</a>					Tel. : +49 8684 18-0 Fax : +49 8684 18-499 Email : <a href="mailto:info@rosenberger.de">info@rosenberger.de</a>		Page 2 / 2