



Chipsmall Limited consists of a professional team with an average of over 10 year of expertise in the distribution of electronic components. Based in Hongkong, we have already established firm and mutual-benefit business relationships with customers from,Europe,America and south Asia,supplying obsolete and hard-to-find components to meet their specific needs.

With the principle of “Quality Parts,Customers Priority,Honest Operation,and Considerate Service”,our business mainly focus on the distribution of electronic components. Line cards we deal with include Microchip,ALPS,ROHM,Xilinx,Pulse,ON,Everlight and Freescale. Main products comprise IC,Modules,Potentiometer,IC Socket,Relay,Connector.Our parts cover such applications as commercial,industrial, and automotives areas.

We are looking forward to setting up business relationship with you and hope to provide you with the best service and solution. Let us make a better world for our industry!



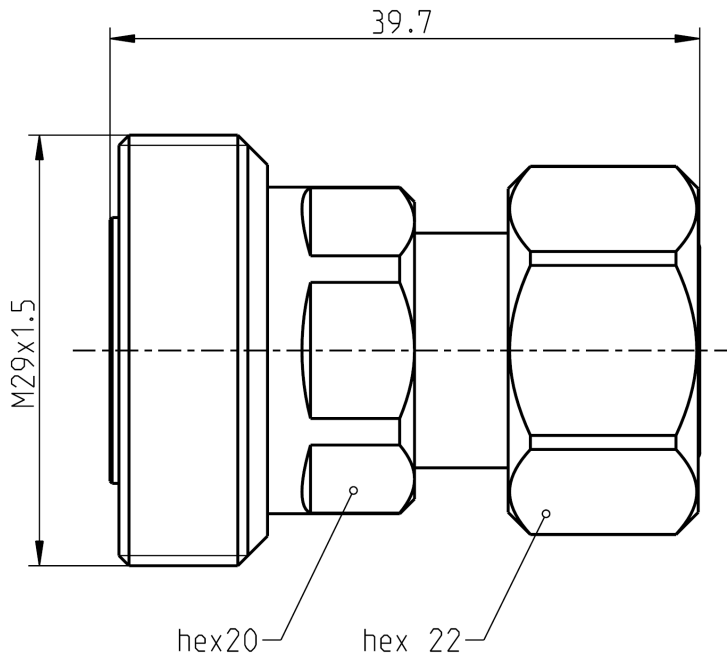
Contact us

Tel: +86-755-8981 8866 Fax: +86-755-8427 6832

Email & Skype: info@chipsmall.com Web: www.chipsmall.com

Address: A1208, Overseas Decoration Building, #122 Zhenhua RD., Futian, Shenzhen, China





All dimensions are in mm; tolerances according to ISO 2768 m-H

Interface

| | | |
|--------------|--------------|---|
| According to | 4.3-10 side: | IEC 61169-54 |
| | 7/16 side: | IEC 60169-4, VG 95250, EN 122190, DIN 47223 |

Documents

| | |
|----------------------|-----|
| Assembly instruction | N/A |
|----------------------|-----|

Material and plating

Connector parts

| | | Material | Plating |
|----------------|--------------|-----------------|--|
| Center contact | 4.3-10 side: | Brass | Silver, 3-6 µm |
| Center contact | 7/16 side: | CuBe | Silver, 3-6 µm |
| Outer contact | | Brass | Flash white bronze over silver(e.g. Optargen®) |
| Body | | Brass | Flash white bronze over silver(e.g. Optargen®) |
| Dielectric | | PTFE | |
| Gasket | | Silicone | |

4.3-10

Adaptor
4.3-10 plug – 7/16 jack

60K164-S00N1

Electrical data

Impedance 50 Ω
 Frequency DC to 8.3 GHz
 Return loss ≥ 36 dB @ DC to 4 GHz
 ≥ 32 dB @ 4 GHz to 6 GHz
 Insertion loss ≤ 0.1 x √f [GHz] dB
 Insulation resistance ≥ 5 GΩ
 Center contact resistance ≤ 1.0 mΩ, 4.3-10 side ≤ 0.4 mΩ, 7/16 side
 Outer contact resistance ≤ 1.0 mΩ, 4.3-10 side ≤ 1.5 mΩ, 7/16 side
 Test voltage 2500 V rms
 Working voltage 500 V rms
 RF-leakage ≥ 120 dB @ DC to 6 GHz
 Power handling (at 90 °C, altitude 3000m) 500 W @ 2.0 GHz
 Intermodulation (3rd order) ≥ 160 dBc (2 x 46 dBm) @ 0.4 – 4.0 GHz
 ≥ 166 dBc (2 x 43 dBm) @ 0.4 – 4.0 GHz

- RL value only valid for the interface -

Mechanical data

| | | |
|--------------------------------|-------------|-------------|
| | 4.3-10 side | 7/16 side |
| Mating cycles | ≥ 100 | min. 500 |
| Center contact captivation: | axial | ≥ 30 N |
| | radial | > 5 Ncm |
| Center contact retention force | 1.5 - 20 N | ≥ 2 Ncm |
| Recommended torque | 5 Nm | 25 to 30 Nm |

Environmental data

Temperature range -55 °C to +90 °C operating temperature
 Thermal shock IEC 60169-1, Sub-clause 16.4
 Corrosion resistance ISO 21207 method B
 Vibration IEC 61169-1 9.3.3 and IEC 60068-2-64
 Shock IEC 61169-1 9.3.14
 Degree of protection (mated pair) IEC 60529, IP68 1h / 25m
 RoHS compliant

Tooling

N/A

Suitable cables

N/A

Weight

Weight 75.5 g/pce

While the information has been carefully compiled to the best of our knowledge, nothing is intended as representation or warranty on our part and no statement herein shall be construed as recommendation to infringe existing patents. In the effort to improve our products, we reserve the right to make changes judged to be necessary.

| | | | | | | | |
|--|----------|---------------|----------|------|---|----------------|---------------|
| Draft | Date | Approved | Date | Rev. | Engineering change number | Name | Date |
| F. Fraunhofer | 04.02.13 | F. Fraunhofer | 15.10.14 | a00 | 14-s357 | Tobias Stadler | 15.10.14 |
| Rosenberger Hochfrequenztechnik GmbH & Co. KG P.O.Box 1260 D-84526 Tittmoning Germany www.rosenberger.de | | | | | Tel. : +49 8684 18-0 Fax : +49 8684 18-499 Email : info@rosenberger.de | | Page 2 / 2 |