



Chipsmall Limited consists of a professional team with an average of over 10 year of expertise in the distribution of electronic components. Based in Hongkong, we have already established firm and mutual-benefit business relationships with customers from,Europe,America and south Asia,supplying obsolete and hard-to-find components to meet their specific needs.

With the principle of “Quality Parts,Customers Priority,Honest Operation,and Considerate Service”,our business mainly focus on the distribution of electronic components. Line cards we deal with include Microchip,ALPS,ROHM,Xilinx,Pulse,ON,Everlight and Freescale. Main products comprise IC,Modules,Potentiometer,IC Socket,Relay,Connector.Our parts cover such applications as commercial,industrial, and automotives areas.

We are looking forward to setting up business relationship with you and hope to provide you with the best service and solution. Let us make a better world for our industry!



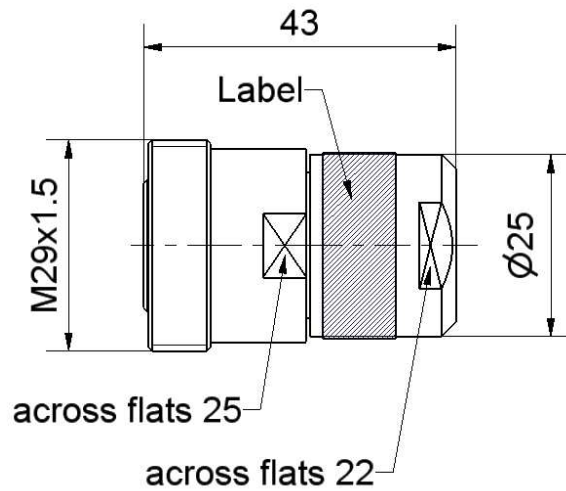
Contact us

Tel: +86-755-8981 8866 Fax: +86-755-8427 6832

Email & Skype: info@chipsmall.com Web: www.chipsmall.com

Address: A1208, Overseas Decoration Building, #122 Zhenhua RD., Futian, Shenzhen, China





All dimensions are in mm; tolerances according to ISO 2768 m-H

Interface

According to IEC 61169-4, EN 122190, DIN 47223

Documents

N/A

Material and plating

Connector parts

- Center contact
- Outer contact
- Body
- Dielectric
- Substrate

Material

- CuBe
- Brass
- Al
- PPE
- Al₂O₃

Plating

- Silver, 3-6 µm
- Flash white bronze over silver(e.g. Optargen®)
- black anodised

Dieses Dokument ist urheberrechtlich geschützt • This document is protected by copyright • Rosenberger Hochfrequenztechnik GmbH & Co. KG

RF_35/09;14/6.2

Technical Data Sheet**Rosenberger**

7-16

Termination
jack**60K17R-001N1****Electrical data**

Impedance	50 Ω
Frequency	DC to 8 GHz
Return loss	≥ 34.1 dB, DC to 2 GHz
	≥ 26.0 dB, 2 GHz to 8 GHz
Power handling	1 W at 25°C
	derated linearity to 0 Watts at 125°C

Mechanical data

Mating cycles	≥ 500
Center contact captivation:	≥ 200 N
Recommended torque	25 Nm to 30 Nm
Proof torque	max. 35 Nm

Environmental data

Operating temperature range	-40 °C to +85 °C
Storage temperature range	-40 °C to +85 °C
RoHS	compliant

Packing

Standard	1 pce in bag
Weight	140 g/pce

While the information has been carefully compiled to the best of our knowledge, nothing is intended as representation or warranty on our part and no statement herein shall be construed as recommendation to infringe existing patents. In the effort to improve our products, we reserve the right to make changes judged to be necessary.

Draft	Date	Approved	Date	Rev.	Engineering change number	Name	Date
Kerstin Herzog	29.07.05	Markus Müller	24.08.15	c00	15-0481	Marion Striegler	24.08.15
Rosenberger Hochfrequenztechnik GmbH & Co. KG P.O.Box 1260 D-84526 Tittmoning Germany www.rosenberger.de						Tel. : +49 8684 18-0 Email : info@rosenberger.de	
							Page 2 / 2