



Chipsmall Limited consists of a professional team with an average of over 10 year of expertise in the distribution of electronic components. Based in Hongkong, we have already established firm and mutual-benefit business relationships with customers from,Europe,America and south Asia,supplying obsolete and hard-to-find components to meet their specific needs.

With the principle of “Quality Parts,Customers Priority,Honest Operation,and Considerate Service”,our business mainly focus on the distribution of electronic components. Line cards we deal with include Microchip,ALPS,ROHM,Xilinx,Pulse,ON,Everlight and Freescale. Main products comprise IC,Modules,Potentiometer,IC Socket,Relay,Connector.Our parts cover such applications as commercial,industrial, and automotives areas.

We are looking forward to setting up business relationship with you and hope to provide you with the best service and solution. Let us make a better world for our industry!



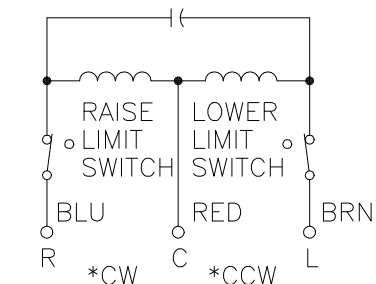
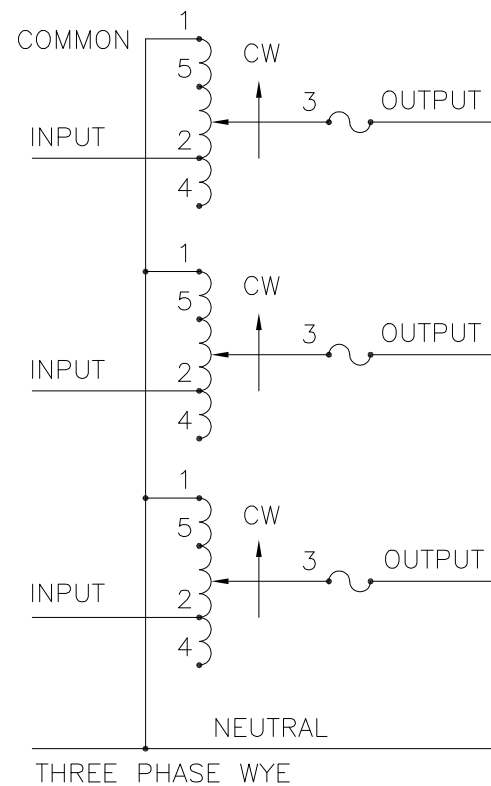
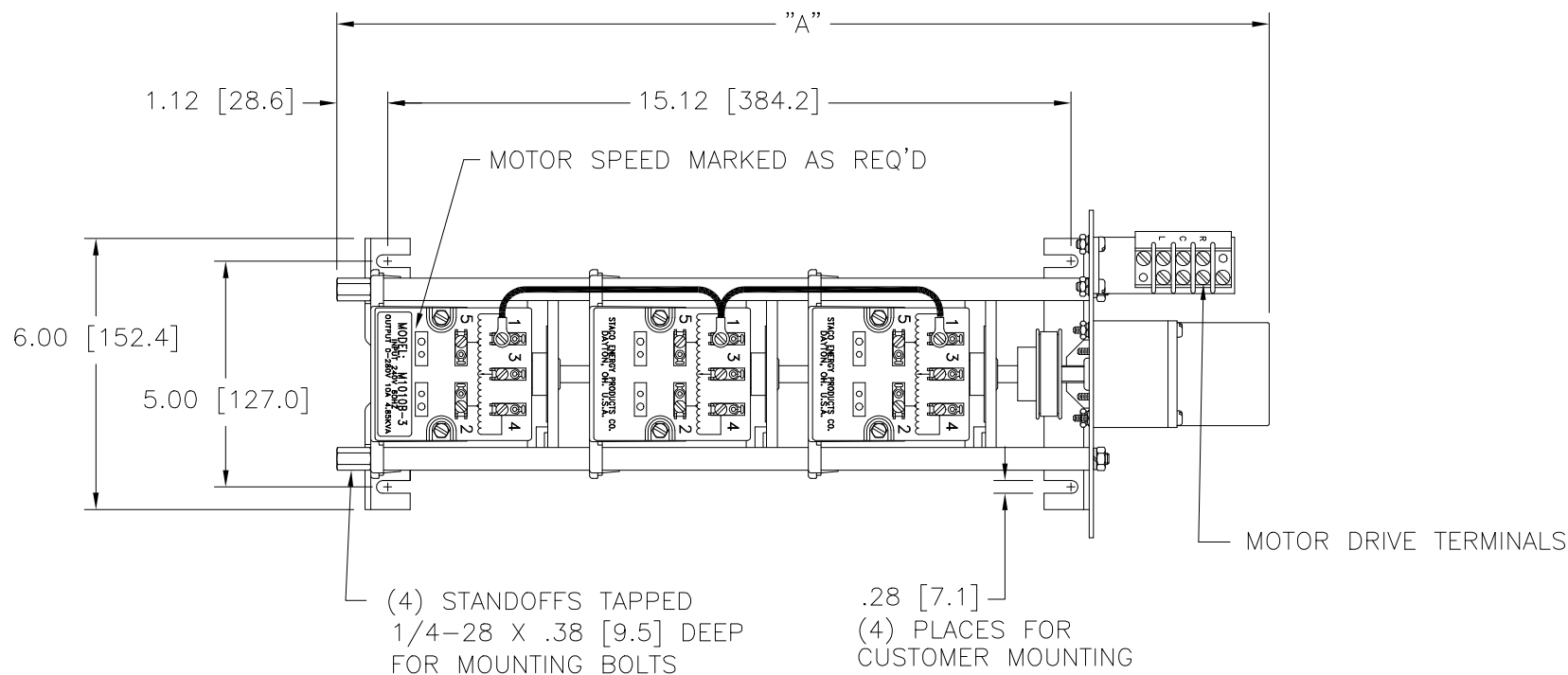
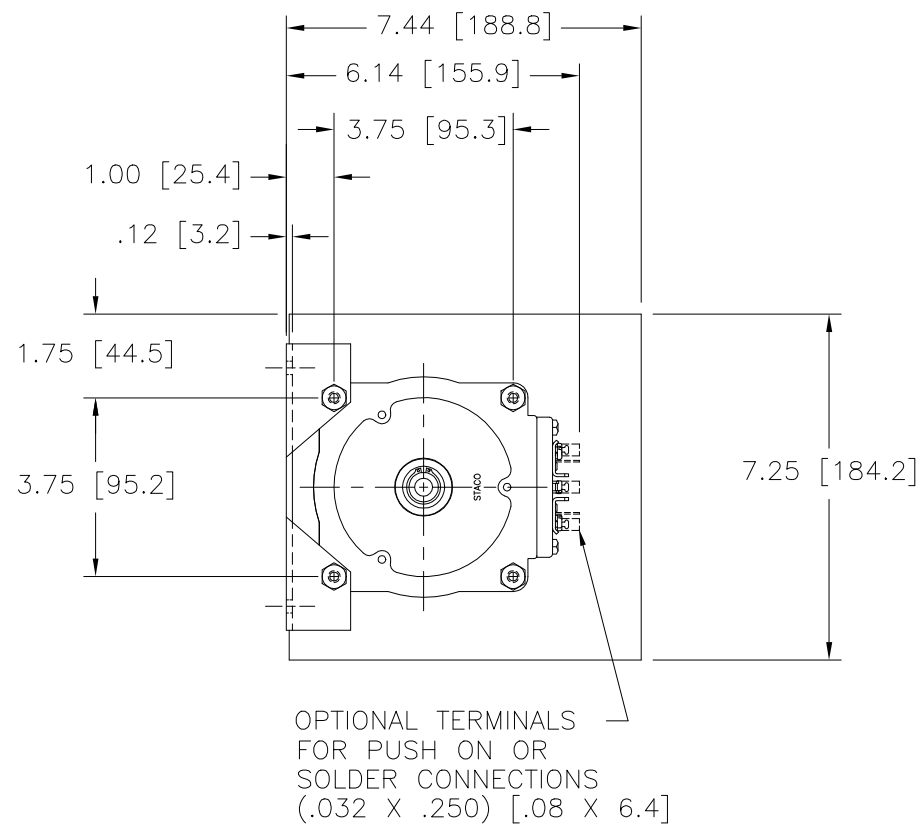
Contact us

Tel: +86-755-8981 8866 Fax: +86-755-8427 6832

Email & Skype: info@chipsmall.com Web: www.chipsmall.com

Address: A1208, Overseas Decoration Building, #122 Zhenhua RD., Futian, Shenzhen, China





MOTOR CIRCUIT
120V, 50/60 HZ
* ROTATION AS VIEWED FROM MOTOR END
MOTOR SPEED: SEE CHART

- ++ LINE TO LINE VOLTAGE
- + MOTOR DRIVEN UNITS USE TERMINAL CONNECTIONS FOR CCW INCREASING VOLTAGE, AS VIEWED FROM BASE END.
- π IF GANGED UNITS ARE USED IN A SYSTEM THAT ORDINARILY HAS A COMMON NEUTRAL OR GROUND BETWEEN SOURCE AND LOAD, THE NEUTRAL OR GROUND MUST BE CONNECTED TO THE COMMON TERMINALS OF THE VARIABLE TRANSFORMER ASSEMBLY. IF THE SYSTEM HAS NO NEUTRAL, THE LOAD MUST BE BALANCED OR THE TRANSFORMERS WILL BE DAMAGED.
- JUMPER PROVIDED IN THE STANDARD COMMON POSITION AND SHOULD BE MOVED OR REMOVED AS REQUIRED.

SCHEMATIC
FUSE RECOMMENDED BUT NOT SUPPLIED

SPEED (SECONDS)	MODEL NUMBER	DIM "A"
5	5M1010B-3	20.25 [514.2]
15	15M1010B-3	20.25 [514.2]
30	30M1010B-3	20.64 [524.2]
60	60M1010B-3	20.64 [524.2]

WIRING	INPUT		OUTPUT				SHAFT ROTATION TO INCREASE VOLTAGE	TERMINAL CONNECTIONS			
	VOLTS	HERTZ	VOLTS	CONSTANT CURRENT LOAD		CONSTANT IMPEDANCE LOAD		FOR INCREASING VOLTAGE AS VIEWED FROM BASE END +			
				MAX. AMPS	MAX. KVA	MAX. AMPS		MAX. KVA	INPUT	JUMPER ■	OUTPUT
THREE PHASE WYE π	240	50/60	0-240	10	4.16	13	5.4	CW	1-1-1	4-4-4	3-3-3
			0-280	10	4.85	—	—	CCW	4-4-4	1-1-1	3-3-3
	++	60	0-240	10	4.85	—	—	CW	5-5-5	4-4-4	3-3-3
			0-280	10	4.85	—	—	CCW	2-2-2	1-1-1	3-3-3

UNLESS OTHERWISE SPECIFIED, TOLERANCE IS # DECIMALS .XX .0005 .06 .002 .005 ANGLES 1° DRAFT 1-1/2° UNITS IN [mm] ALL DIMENSIONS APPLY AFTER PLATING

TITLE: SPEC. CONTROL DRAWING
MOTORIZED VARIABLE XFMR
MODEL: M1010B-3

DRAWN BY: S.A. SMITH DATE: 9/19/97
CHECKER: DATE: WEIGHT APPROX. 38.50 LBS. CODE IDENT. NO. 83008
ENGINEER: DATE: SCALE .50=1 SHEET 1 OF 1

CUSTOMER APPROVAL DATE: DATE: DO NOT SCALE DWG. DATE: DATE: DWG. NO. 031-1776

STACO ENERGY PRODUCTS CO. A COMPONENTS CORPORATION OF AMERICA COMPANY DAYTON, OHIO U.S.A.