



Chipsmall Limited consists of a professional team with an average of over 10 year of expertise in the distribution of electronic components. Based in Hongkong, we have already established firm and mutual-benefit business relationships with customers from,Europe,America and south Asia,supplying obsolete and hard-to-find components to meet their specific needs.

With the principle of “Quality Parts,Customers Priority,Honest Operation,and Considerate Service”,our business mainly focus on the distribution of electronic components. Line cards we deal with include Microchip,ALPS,ROHM,Xilinx,Pulse,ON,Everlight and Freescale. Main products comprise IC,Modules,Potentiometer,IC Socket,Relay,Connector.Our parts cover such applications as commercial,industrial, and automotives areas.

We are looking forward to setting up business relationship with you and hope to provide you with the best service and solution. Let us make a better world for our industry!



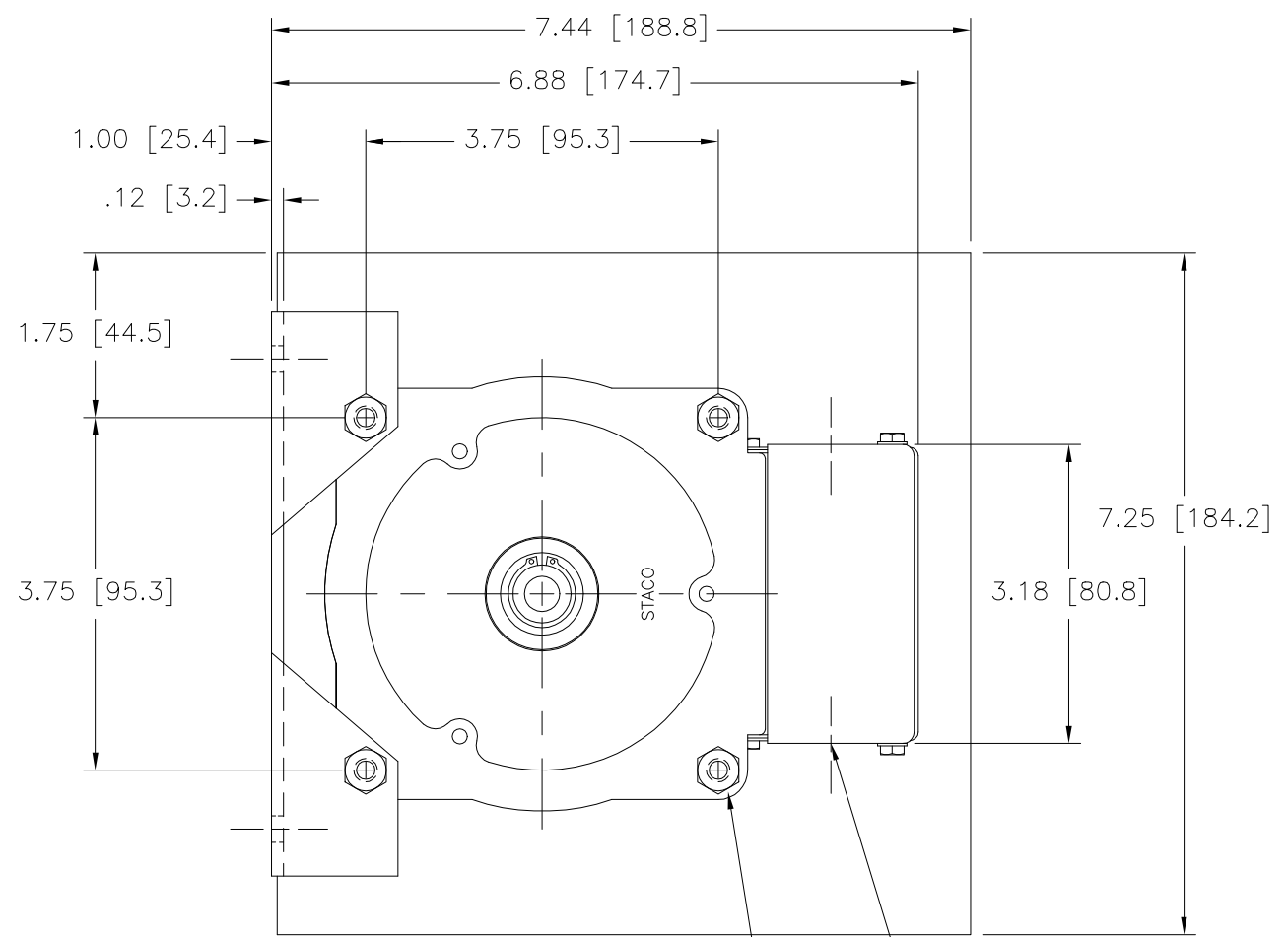
Contact us

Tel: +86-755-8981 8866 Fax: +86-755-8427 6832

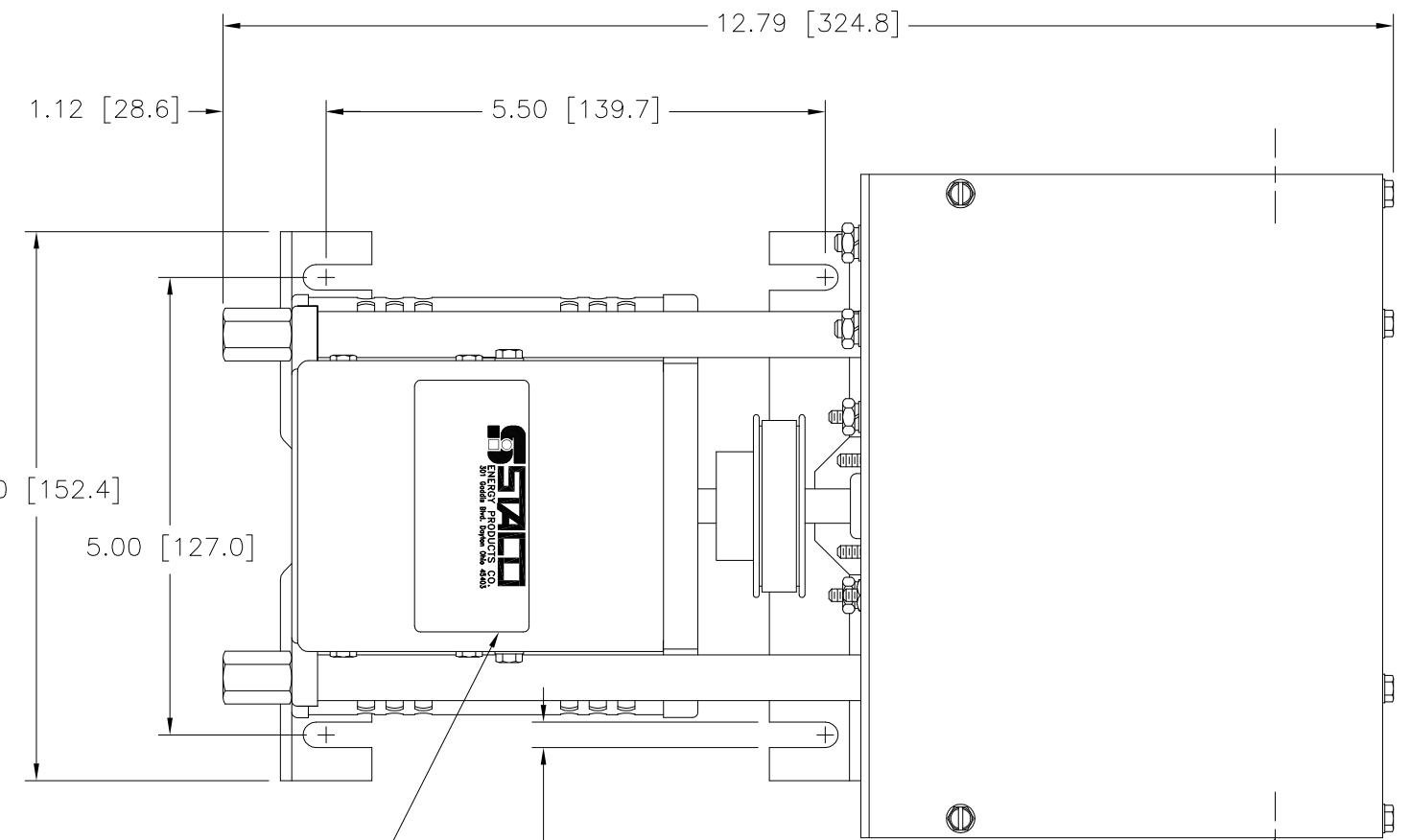
Email & Skype: info@chipsmall.com Web: www.chipsmall.com

Address: A1208, Overseas Decoration Building, #122 Zhenhua RD., Futian, Shenzhen, China





(4) STANDOFFS TAPPED
 1/4-28 X .38 [9.5] DEEP
 FOR MOUNTING BOLTS
 .88 [22.2] DIA. KNOCKOUT
 (2) PLACES FOR
 WIRING CONNECTIONS



NAMEPLATE
 .28 [7.1]
 (4) PLACES FOR
 CUSTOMER MOUNTING
 .88 [22.2] DIA. KNOCKOUT
 (4) PLACES FOR
 MOTOR CONNECTIONS

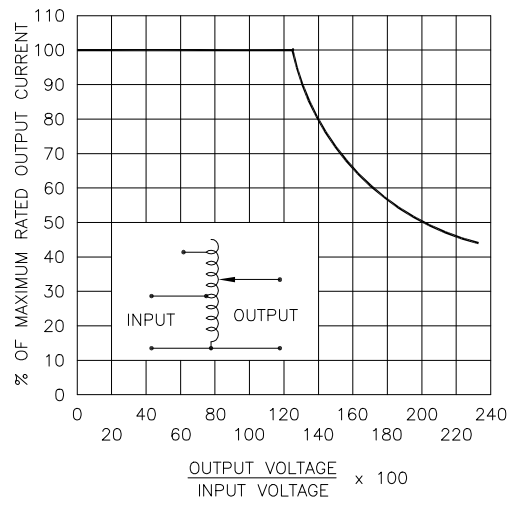
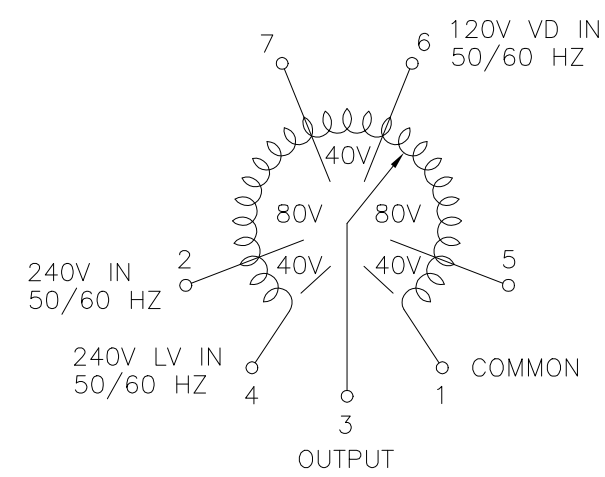
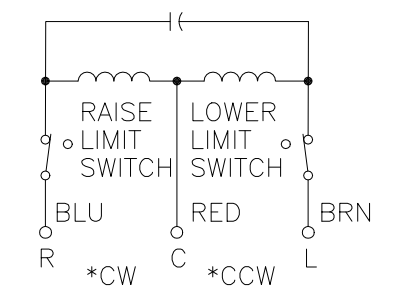


FIGURE A
 MAXIMUM OUTPUT CURRENT OF ANY
 DUAL INPUT VOLTAGE OR VOLTAGE DOUBLER
 UNIT OPERATED AT LOWER INPUT VOLTAGE.

MAXIMUM OUTPUT CURRENT IN OUTPUT VOLTAGE RANGE FROM 0 TO 25% ABOVE LINE VOLTAGE. AT HIGHER OUTPUT VOLTAGES, THE OUTPUT CURRENT MUST BE REDUCED ACCORDING TO THE DERATING CURVE FIGURE A.
 § MAXIMUM KVA AT MAXIMUM OUTPUT VOLTAGE AND CORRESPONDING DERATED OUTPUT CURRENT. MAXIMUM KVA FOR LOWER VOLTAGES MAY BE CALCULATED FROM DERATING CURVE FIGURE A.
 + MOTOR DRIVEN UNITS USE TERMINAL CONNECTIONS FOR CCW INCREASING VOLTAGE, AS VIEWED FROM BASE END.



SCHEMATIC
 VIEW FROM BASE END
 FUSE RECOMMENDED BUT NOT SUPPLIED



MOTOR CIRCUIT
 120V, 50/60 HZ
 * ROTATION AS VIEWED FROM MOTOR END
 MOTOR SPEED: SEE CHART

SPEED (SECONDS)	MODEL NUMBER
5	5M1020BCT
15	15M1020BCT
30	30M1020BCT
60	60M1020BCT

WIRING	SPECIFICATIONS								TERMINAL CONNECTIONS		
	INPUT		OUTPUT				SHAFT ROTATION TO INCREASE VOLTAGE	FOR INCREASING VOLTAGE AS VIEWED FROM BASE END +			
	VOLTS	HERTZ	VOLTS	CONSTANT CURRENT LOAD MAX. AMPS	CONSTANT IMPEDANCE LOAD MAX. KVA	MAX. AMPS		MAX. KVA	INPUT	JUMPER	OUTPUT
SINGLE PHASE	240	50/60	0-240	3.5	0.84	5.0	1.20	CW	1-4	---	4-3
			0-280	3.5	0.98	---	---	CCW	1-4	---	1-3
	120	50/60	0-280	3.5#	0.42§	---	---	CW	1-2	---	1-3
			0-280	3.5#	0.42§	---	---	CCW	4-7	---	4-3

UNLESS OTHERWISE SPECIFIED, TOLERANCE IS # DECIMALS .XX .005 .002 .001 .0005
 HOLES ANGLES DRAFT 1° 1-1/2°
 UNITS IN [mm]
 MATERIAL: ALL DIMENSIONS APPLY AFTER PLATING
 TITLE: SPEC. CONTROL DRAWING MOTORIZED VARIABLE XFMR. MODEL: M1020BCT
 DRAWN BY: S.A. SMITH DATE: 9/24/97 FIRST USED ON: DO NOT SCALE DWG. CUSTOMER APPROVAL: DATE:
 CHECKER: DATE: WEIGHT APPROX. 16.75 LBS. CODE IDENT. NO. 83008 DWG. NO. 031-2510
 ENGINEER: DATE: SCALE 1=1 SHEET 1 OF 1

