



Chipsmall Limited consists of a professional team with an average of over 10 year of expertise in the distribution of electronic components. Based in Hongkong, we have already established firm and mutual-benefit business relationships with customers from,Europe,America and south Asia,supplying obsolete and hard-to-find components to meet their specific needs.

With the principle of “Quality Parts,Customers Priority,Honest Operation,and Considerate Service”,our business mainly focus on the distribution of electronic components. Line cards we deal with include Microchip,ALPS,ROHM,Xilinx,Pulse,ON,Everlight and Freescale. Main products comprise IC,Modules,Potentiometer,IC Socket,Relay,Connector.Our parts cover such applications as commercial,industrial, and automotives areas.

We are looking forward to setting up business relationship with you and hope to provide you with the best service and solution. Let us make a better world for our industry!



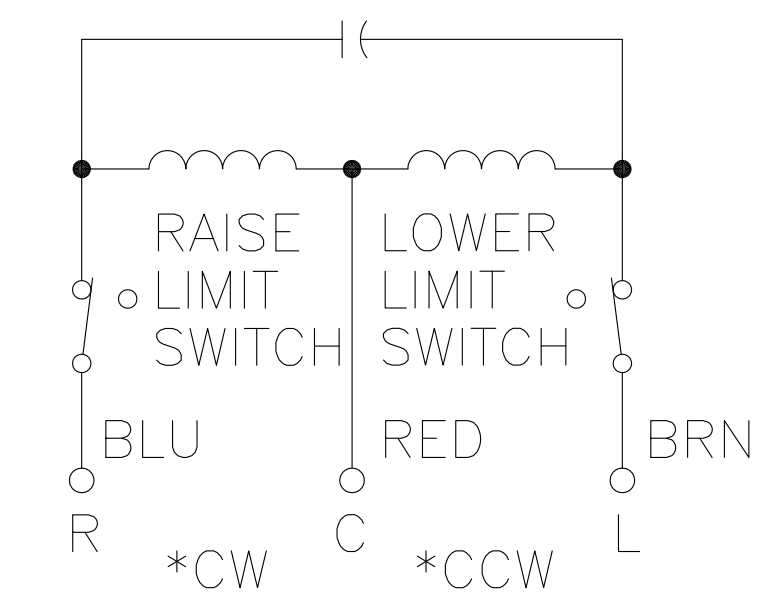
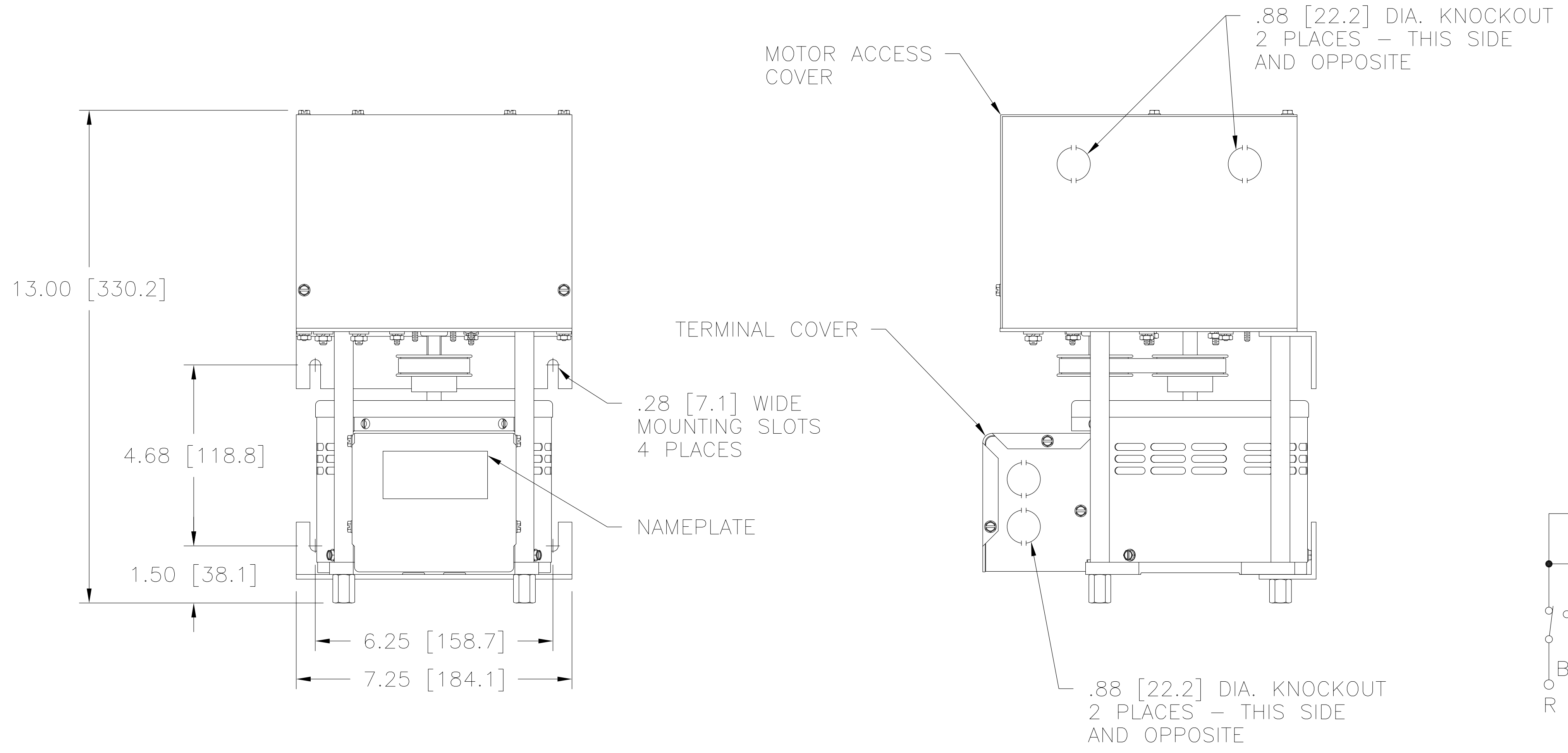
Contact us

Tel: +86-755-8981 8866 Fax: +86-755-8427 6832

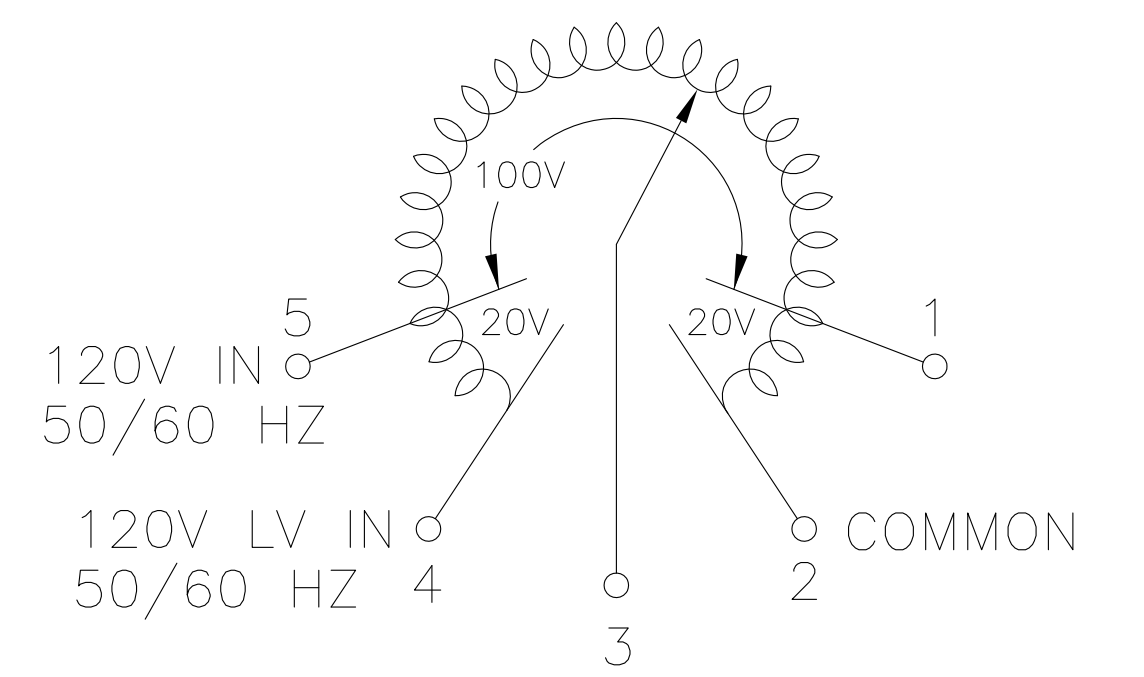
Email & Skype: info@chipsmall.com Web: www.chipsmall.com

Address: A1208, Overseas Decoration Building, #122 Zhenhua RD., Futian, Shenzhen, China





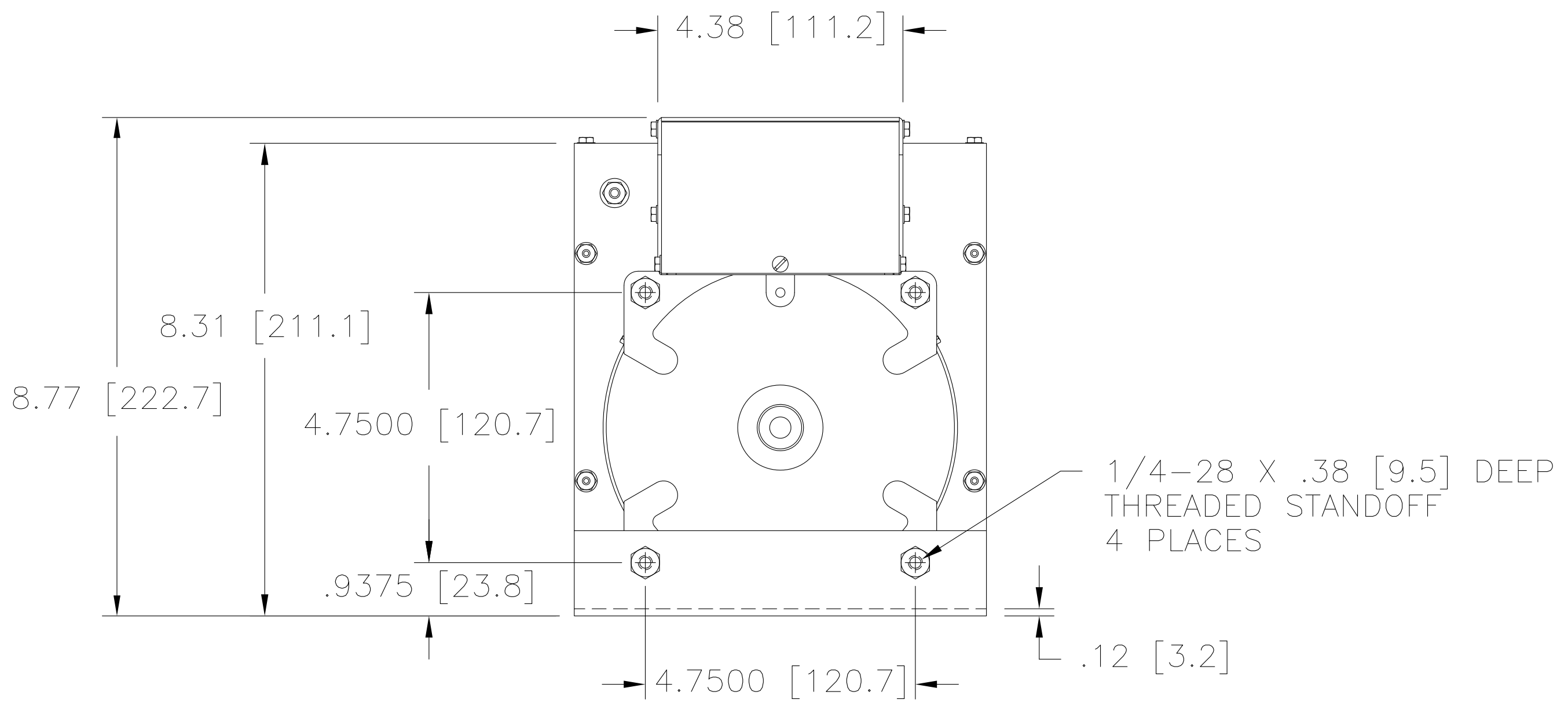
MOTOR CIRCUIT
 120V, 50/60 HZ
 * ROTATION AS VIEWED FROM MOTOR END
 MOTOR SPEED: SEE CHART



OUTPUT
 COIL SCHEMATIC
 AS VIEWED FROM BASE END
 FUSE RECOMMENDED BUT NOT SUPPLIED

+ MOTOR DRIVEN UNITS USE TERMINAL CONNECTIONS FOR CCW INCREASING VOLTAGE, AS VIEWED FROM THE BASE END.

SPEED (SECONDS)	MODEL NUMBER
5	5M1510CT
15	15M1510CT
30	30M1510CT
60	60M1510CT



SPECIFICATIONS											
WIRING	INPUT		OUTPUT				SHAFT ROTATION TO INCREASE VOLTAGE	TERMINAL CONNECTIONS			
	VOLTS	HERTZ	VOLTS	CONSTANT CURRENT LOAD	CONSTANT IMPEDANCE LOAD	FOR INCREASING VOLTAGE AS VIEWED FROM BASE END +		INPUT	JUMPER	OUTPUT	
SINGLE PHASE	120	50/60	0-120	15	1.80	20	2.40	CW	2-4	---	4-3
			0-140	15	2.10	---	---	CCW	2-4	---	2-3
								CW	1-4	---	4-3
								CCW	5-2	---	2-3

UNLESS OTHERWISE SPECIFIED, TOLERANCE IS # DECIMALS HOLES ANGLES DRAFT .XX .0005 .06 .0002 .01 1° 1-1/2°
 MATERIAL: ALL DIMENSIONS APPLY AFTER PLATING

TITLE: SPEC. CONTROL DRAWING
 VARIABLE TRANSFORMER
 MODEL: M1510CT

DRAWN BY: TIM RAU
 CHECKER: DATE: 9/28/98
 ENGINEER: DATE: SCALE: .50=1

DATE: 9/28/98
 FIRST USED ON: M1510CT
 DO NOT SCALE DWG.
 WEIGHT APPROX: 26 LBS
 CODE IDENT. NO.: 83008
 SHEET 1 OF 1

CUSTOMER APPROVAL: DATE: DWG. NO. 031-3801

