



Chipsmall Limited consists of a professional team with an average of over 10 year of expertise in the distribution of electronic components. Based in Hongkong, we have already established firm and mutual-benefit business relationships with customers from,Europe,America and south Asia,supplying obsolete and hard-to-find components to meet their specific needs.

With the principle of “Quality Parts,Customers Priority,Honest Operation,and Considerate Service”,our business mainly focus on the distribution of electronic components. Line cards we deal with include Microchip,ALPS,ROHM,Xilinx,Pulse,ON,Everlight and Freescale. Main products comprise IC,Modules,Potentiometer,IC Socket,Relay,Connector.Our parts cover such applications as commercial,industrial, and automotives areas.

We are looking forward to setting up business relationship with you and hope to provide you with the best service and solution. Let us make a better world for our industry!



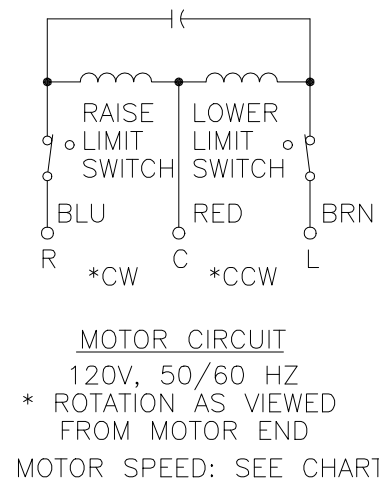
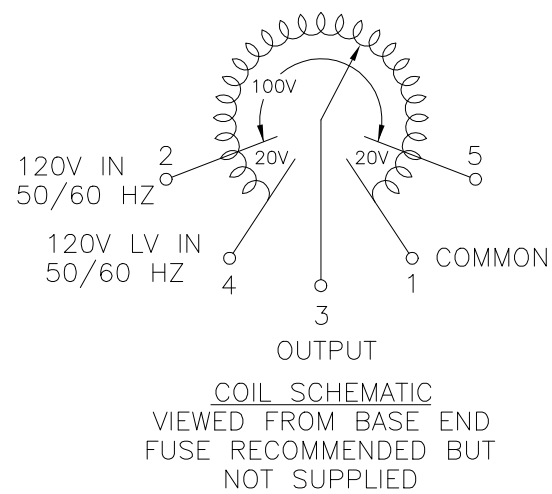
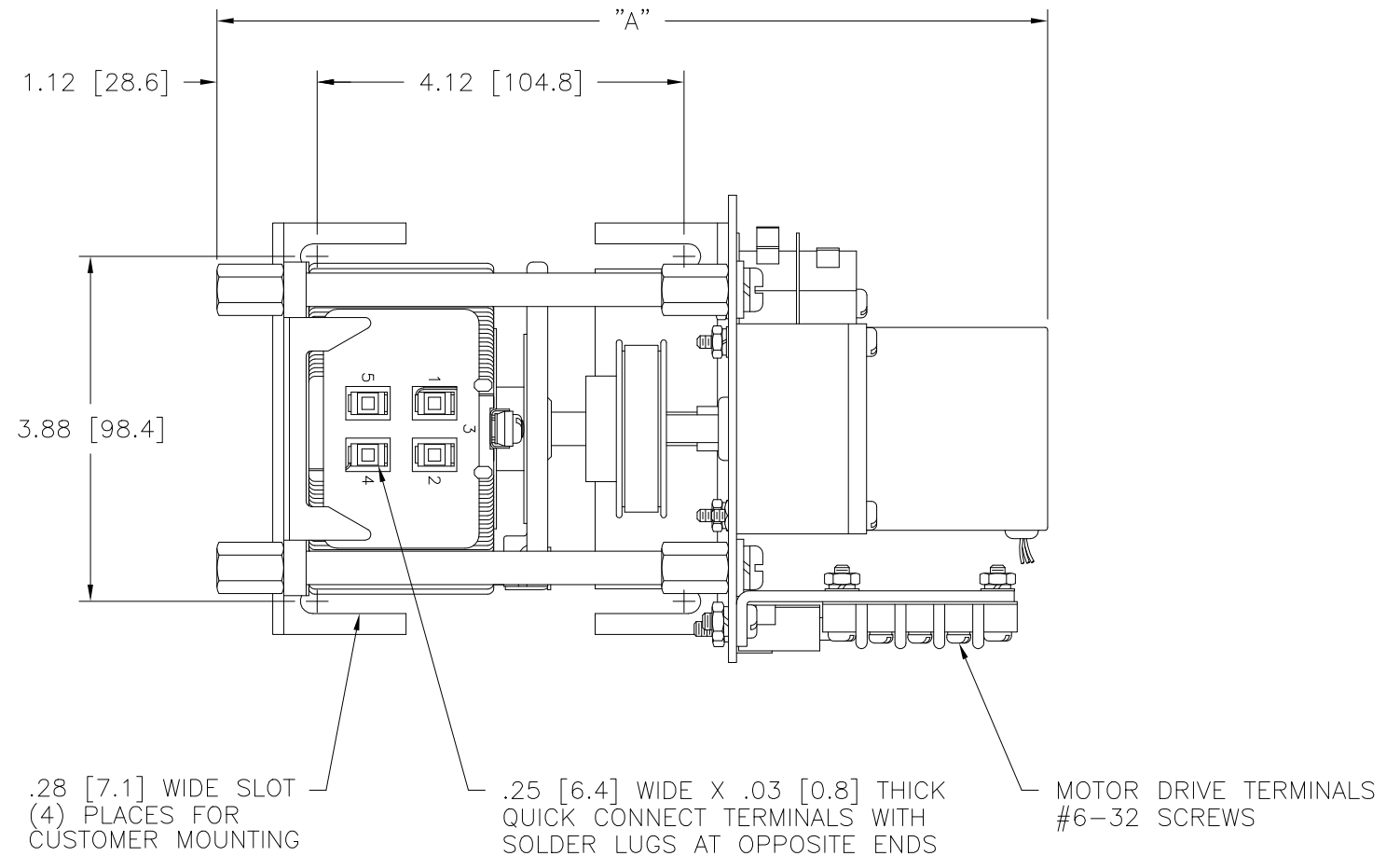
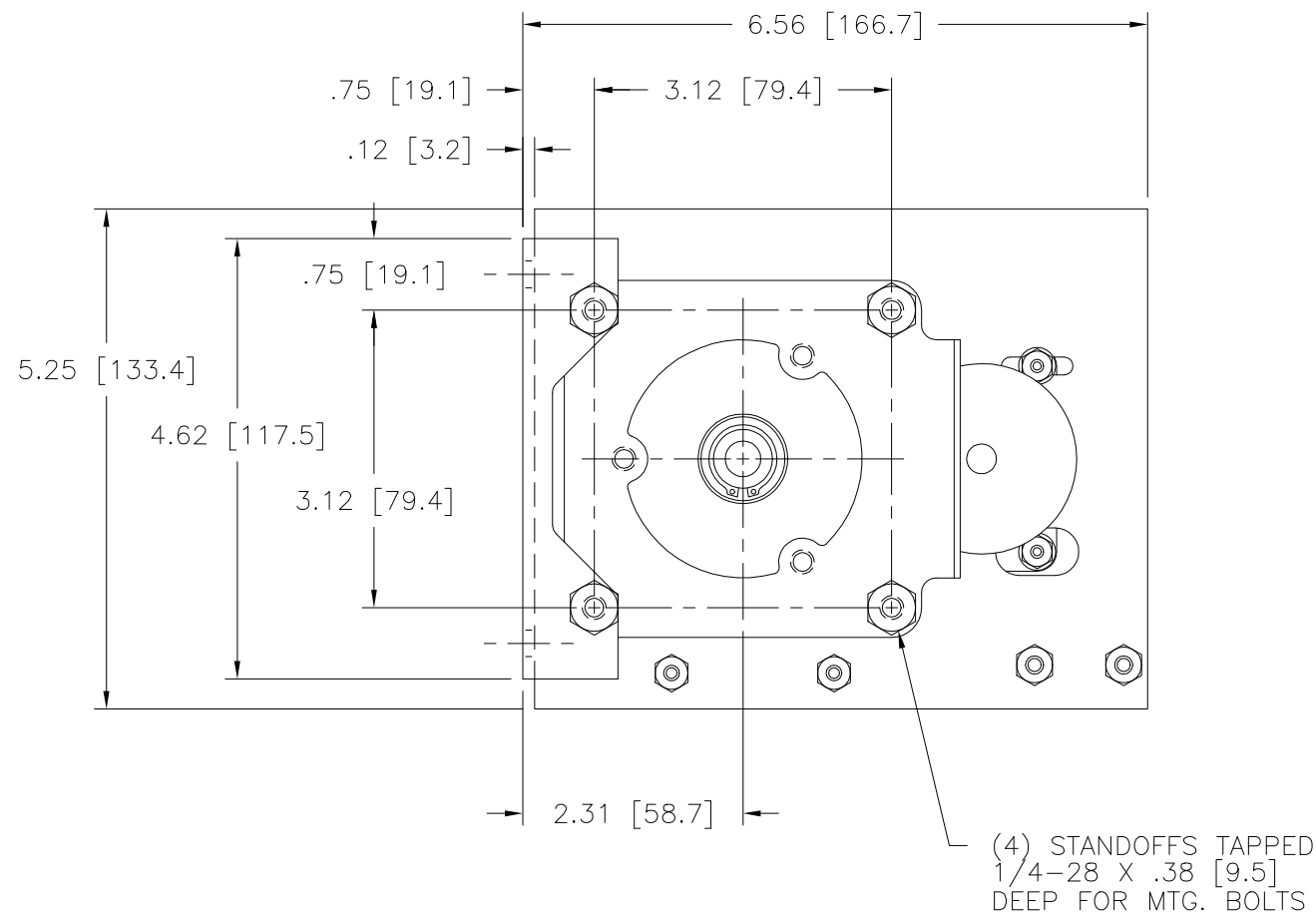
## Contact us

Tel: +86-755-8981 8866 Fax: +86-755-8427 6832

Email & Skype: info@chipsmall.com Web: www.chipsmall.com

Address: A1208, Overseas Decoration Building, #122 Zhenhua RD., Futian, Shenzhen, China





**NOTE:**  
 UNIT IS SUPPLIED WITH OPTIONAL  
 PUSH-ON #6-32 SCREW TERMINALS  
 FOR TRANSFORMER CONNECTIONS.

+ MOTOR DRIVEN UNITS USE TERMINAL CONNECTIONS FOR CCW  
 INCREASING VOLTAGE, AS VIEWED FROM BASE END.

SPECIFICATIONS											
WIRING	INPUT		OUTPUT				SHAFT ROTATION TO INCREASE VOLTAGE	TERMINAL CONNECTIONS			
	VOLTS	HERTZ	VOLTS	CONSTANT CURRENT LOAD		CONSTANT IMPEDANCE LOAD		FOR INCREASING VOLTAGE AS VIEWED FROM BASE END +			
				MAX. AMPS	MAX. KVA	MAX. AMPS		MAX. KVA	INPUT	JUMPER	OUTPUT
SINGLE PHASE	120	50/60	0-120	5.0	0.60	7.0	0.84	CW	1-4	---	4-3
			0-140	5.0	0.70	---	---	CCW	1-4	---	1-3
								CW	4-5	---	4-3
								CCW	1-2	---	1-3

SPEED (SECONDS)	MODEL NUMBER	DIM "A"
5	5M501C	9.34 [237.2]
15	15M501C	9.34 [237.2]
30	30M501C	9.73 [247.1]
60	60M501C	9.73 [247.1]

UNLESS OTHERWISE SPECIFIED, TOLERANCE IS #  
 DECIMALS HOLES ANGLES DRAFT  
 XX .0005 .06 .002 1° 1-1/2°  
 MATERIAL: ALL DIMENSIONS APPLY AFTER PLATING

TITLE: SPEC. CONTROL DRAWING  
 VARIABLE TRANSFORMER  
 MODEL: M501C

DRAWN BY: TIM RAU DATE: 3/16/99  
 CHECKER: DATE: WEIGHT APPROX. 11.5 LBS  
 ENGINEER: DATE: SCALE 1=1 SHEET 1 OF 1

DO NOT SCALE DWG. CUSTOMER APPROVAL DATE

CODE IDENT. NO. 83008 DWG. NO. 031-0564

**STACO**  
 ENERGY PRODUCTS CO.  
 A COMPONENTS CORPORATION OF AMERICA COMPANY  
 DAYTON, OHIO U.S.A.