



Chipsmall Limited consists of a professional team with an average of over 10 year of expertise in the distribution of electronic components. Based in Hongkong, we have already established firm and mutual-benefit business relationships with customers from,Europe,America and south Asia,supplying obsolete and hard-to-find components to meet their specific needs.

With the principle of “Quality Parts,Customers Priority,Honest Operation,and Considerate Service”,our business mainly focus on the distribution of electronic components. Line cards we deal with include Microchip,ALPS,ROHM,Xilinx,Pulse,ON,Everlight and Freescale. Main products comprise IC,Modules,Potentiometer,IC Socket,Relay,Connector.Our parts cover such applications as commercial,industrial, and automotives areas.

We are looking forward to setting up business relationship with you and hope to provide you with the best service and solution. Let us make a better world for our industry!



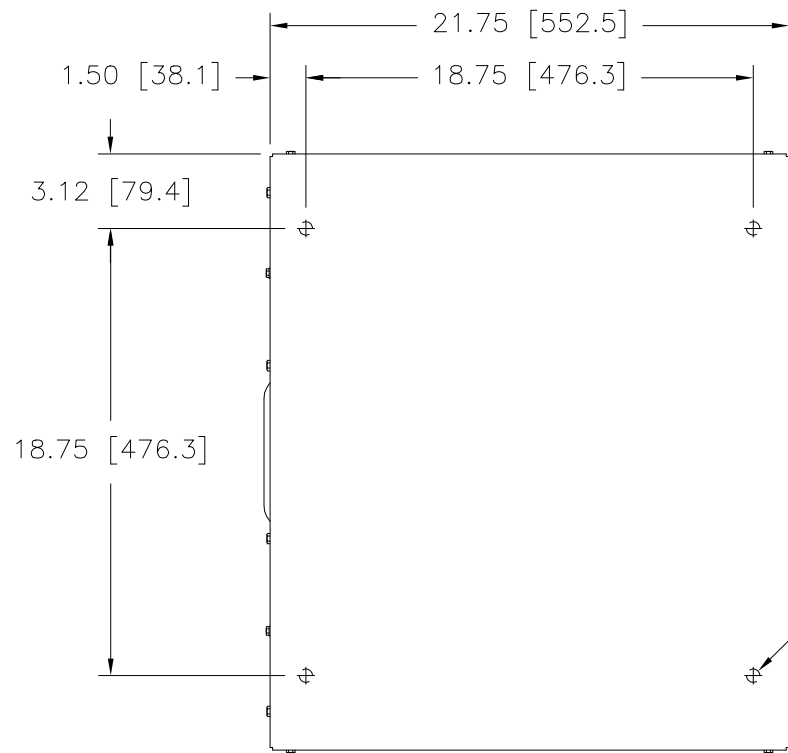
Contact us

Tel: +86-755-8981 8866 Fax: +86-755-8427 6832

Email & Skype: info@chipsmall.com Web: www.chipsmall.com

Address: A1208, Overseas Decoration Building, #122 Zhenhua RD., Futian, Shenzhen, China





.56 [14.3] DIA. HOLE
 4 PLACES ON BOTTOM
 FLANGES FOR CUSTOMER
 MOUNTING

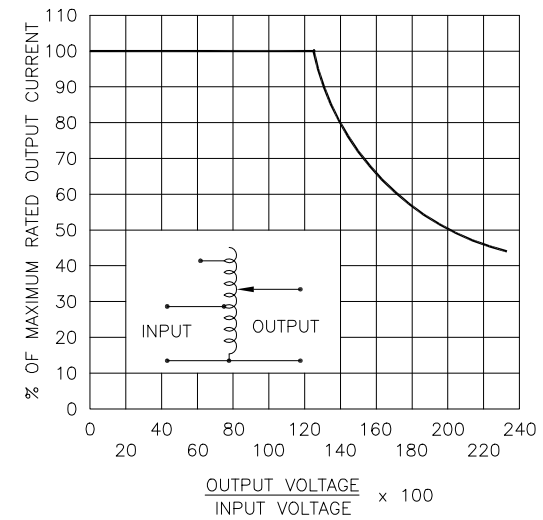
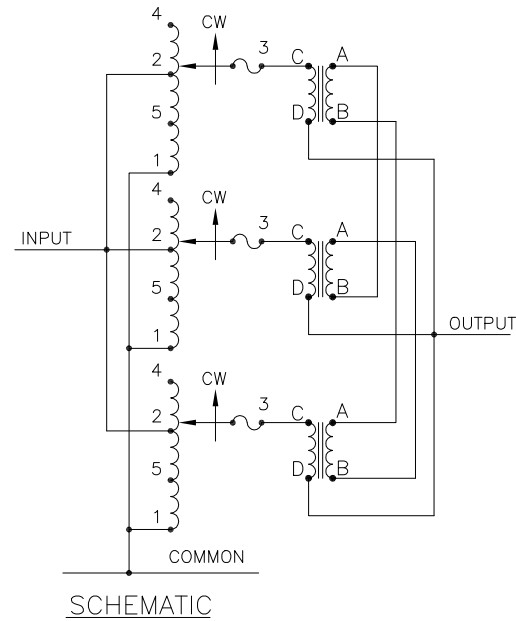
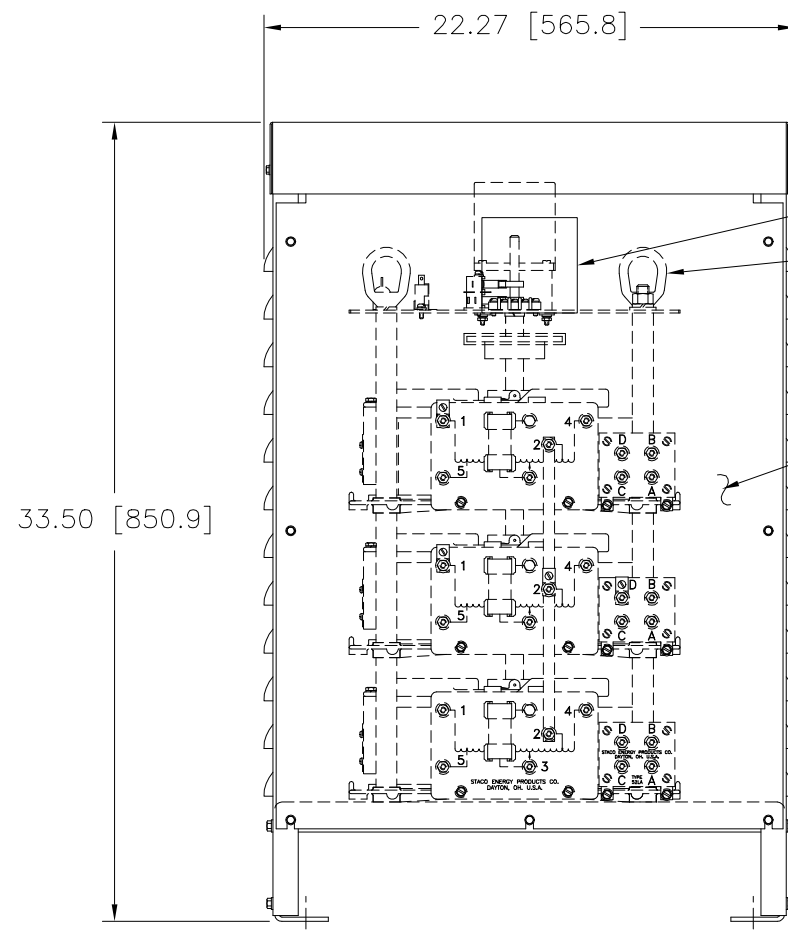


FIGURE A
 MAXIMUM OUTPUT CURRENT OF ANY
 DUAL INPUT VOLTAGE OR VOLTAGE DOUBLER
 UNIT OPERATED AT LOWER INPUT VOLTAGE.

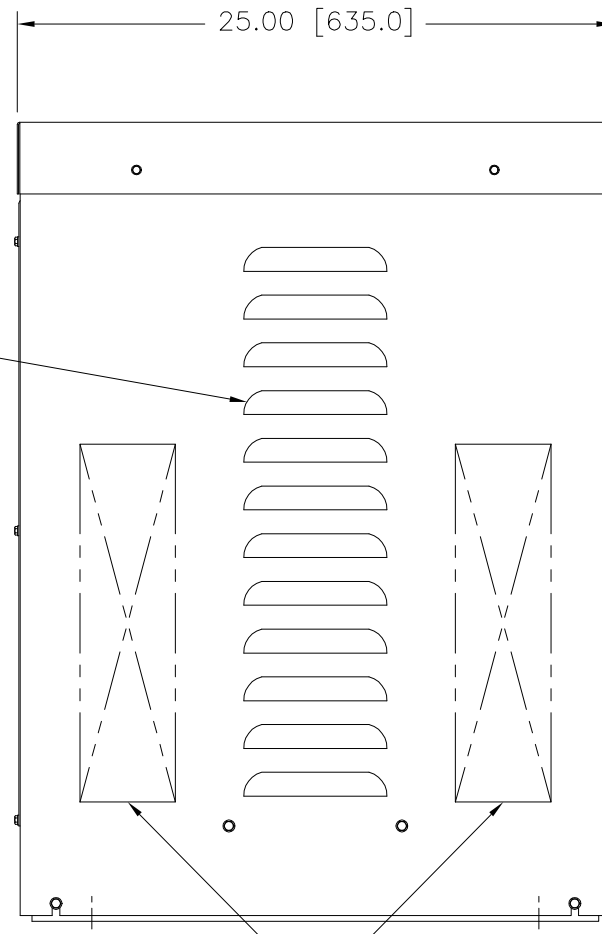
* MAXIMUM OUTPUT CURRENT IN OUTPUT VOLTAGE RANGE FROM 0 TO 25% ABOVE LINE VOLTAGE. AT HIGHER OUTPUT VOLTAGES, OUTPUT CURRENT MUST BE REDUCED ACCORDING TO RATING CURVE, FIGURE A.

++ MAXIMUM KVA AT MAXIMUM OUTPUT AND CORRESPONDING DE-RATED CURRENT. MAXIMUM KVA AT LOWER OUTPUT VOLTAGES MAY BE CALCULATED FROM RATING CURVE, FIGURE A.

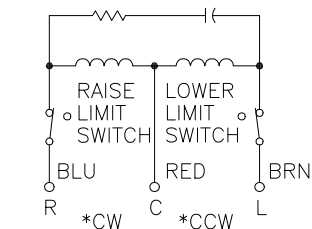
V.D. = VOLTAGE DOUBLER.



NAMEPLATE
 2 EYENUTS FOR CONVEYING
 LOUVER VENTS BOTH SIDES
 ACCESS PANEL TO FUSES & TERMINALS



RECOMMENDED AREAS
 FOR CONDUIT ENTRY



MOTOR CIRCUIT
 120V, 50/60 HZ
 * ROTATION AS VIEWED
 FROM TOP END
 MOTOR SPEEDS: SEE CHART

SPEED (SECONDS)	MODEL NUMBER
5	5M5021E-3P
15	15M5021E-3P
30	30M5021E-3P
60	60M5021E-3P

WIRING	INPUT		OUTPUT			SHAFT ROTATION FOR VOLTAGE INCREASE	TERMINAL CONNECTIONS FOR INCREASING VOLTAGE AS VIEWED FROM TOP	
	VOLTS	HERTZ	VOLTS	CONSTANT CURRENT LOAD			INPUT	OUTPUT
				MAX. AMPS	MAX. KVA			
SINGLE PHASE PARALLEL	240	50/60	0-240	84	20.2	CW	1-4	1-D
			0-280	84	23.5	CW	1-2	1-D
	120	50/60	0-280	84* V.D.	10.2 ++	CW	1-5	1-D

UNLESS OTHERWISE SPECIFIED, TOLERANCE IS ±
 DECIMALS .0012 HOLES .0020 ANGLES DRAFT 1°-1/2°
 .XX .0005 .03 1°
 .XXX .005

MATERIAL: ALL DIMENSIONS APPLY AFTER PLATING

UNITS: IN [mm]

TITLE: SPEC. CONTROL DRAWING
 MOTORIZED VARIABLE XFMR.
 TYPE: M5021E-3P

STACO ENERGY PRODUCTS CO.
 A Components Corporation of Ameresco Company
 302 South Boulevard Dayton, Ohio 45403 USA

DRAWN BY: TIM RAU DATE: 7/10/97 FIRST USED ON: DO NOT SCALE DWG.
 CHECKER: DATE: WEIGHT APPROX.: CAGE CODE: 83008
 ENGINEER: DATE: SCALE: .25=1 SHEET 1 OF 1

DWG. NO. 031-7685