



Chipsmall Limited consists of a professional team with an average of over 10 year of expertise in the distribution of electronic components. Based in Hongkong, we have already established firm and mutual-benefit business relationships with customers from,Europe,America and south Asia,supplying obsolete and hard-to-find components to meet their specific needs.

With the principle of "Quality Parts,Customers Priority,Honest Operation,and Considerate Service",our business mainly focus on the distribution of electronic components. Line cards we deal with include Microchip,ALPS,ROHM,Xilinx,Pulse,ON,Everlight and Freescale. Main products comprise IC,Modules,Potentiometer,IC Socket,Relay,Connector.Our parts cover such applications as commercial,industrial, and automotives areas.

We are looking forward to setting up business relationship with you and hope to provide you with the best service and solution. Let us make a better world for our industry!



Contact us

Tel: +86-755-8981 8866 Fax: +86-755-8427 6832

Email & Skype: info@chipsmall.com Web: www.chipsmall.com

Address: A1208, Overseas Decoration Building, #122 Zhenhua RD., Futian, Shenzhen, China



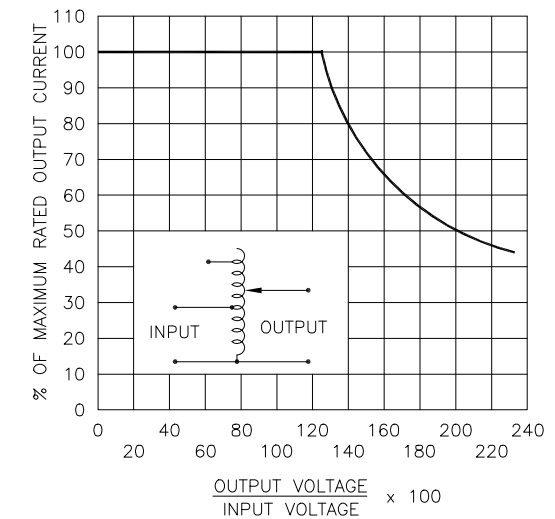
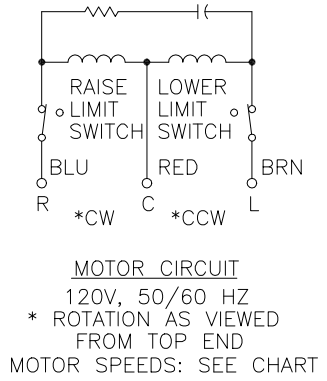
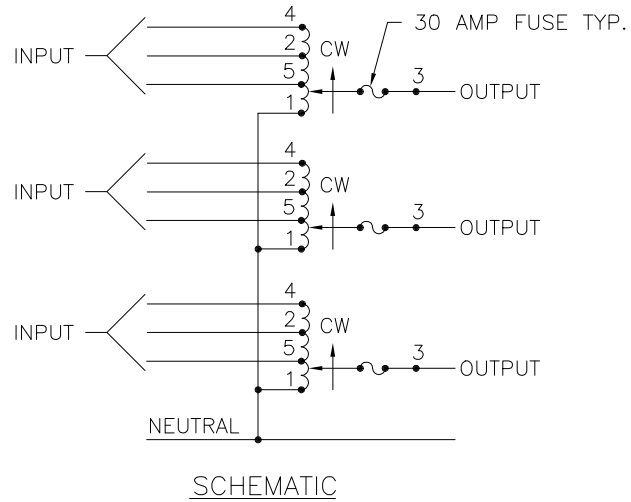
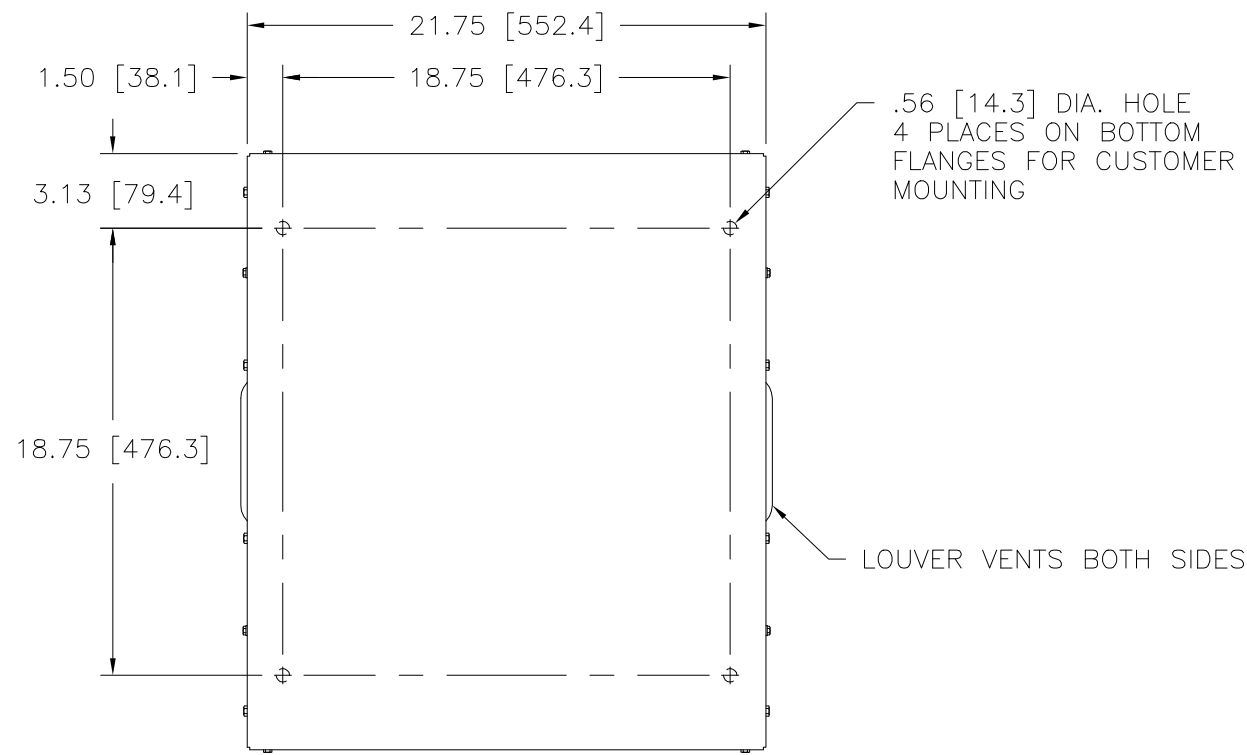
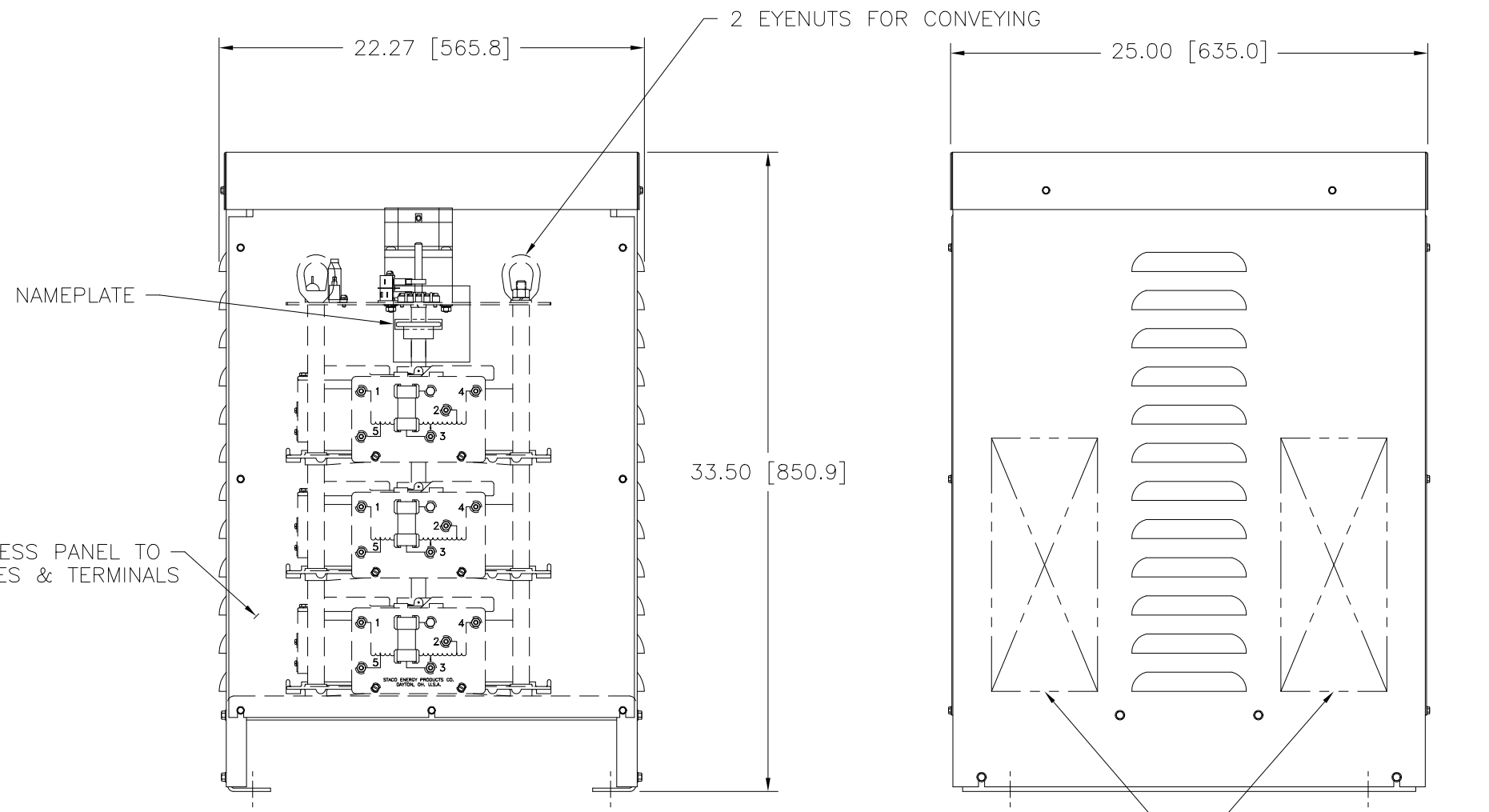


FIGURE A
 MAXIMUM OUTPUT CURRENT OF ANY DUAL INPUT VOLTAGE OR VOLTAGE DOUBLER UNIT OPERATED AT LOWER INPUT VOLTAGE.
 # MAXIMUM OUTPUT CURRENT IN OUTPUT VOLTAGE RANGE FROM 0 TO 25% ABOVE LINE VOLTAGE. AT HIGHER OUTPUT VOLTAGES, OUTPUT CURRENT MUST BE REDUCED ACCORDING TO RATING CURVE, FIGURE A.
 ++ MAXIMUM KVA AT MAXIMUM OUTPUT AND CORRESPONDING DE-RATED CURRENT. MAXIMUM KVA AT LOWER OUTPUT VOLTAGES MAY BE CALCULATED FROM RATING CURVE, FIGURE A.

SPEED (SECONDS)	MODEL NUMBER
5	5M5021E-3Y
15	15M5021E-3Y
30	30M5021E-3Y
60	60M5021E-3Y

V.D. = VOLTAGE DOUBLER.



WIRING	INPUT		OUTPUT		SHAFT ROTATION FOR VOLTAGE INCREASE	TERMINAL CONNECTIONS FOR INCREASING VOLTAGE AS VIEWED FROM TOP		
	VOLTS	HERTZ	VOLTS	CONSTANT CURRENT LOAD		INPUT	OUTPUT	
				MAX. AMPS				MAX. KVA
THREE PHASE WYE	480	50/60	0-480	28	23.3	CW	4-4-4 3-3-3	
		60	0-560	28	27.2	CW	2-2-2 3-3-3	
	240	60	0-560	28-12 V.D.	11.8 ++	CW	5-5-5 3-3-3	

UNLESS OTHERWISE SPECIFIED, TOLERANCE IS ± DECIMALS .XX .XXX .12 .0002 .03 1° DRAFT 1-1/2° UNITS IN [mm] TITLE: SPECIFICATION CONTROL DRAWING MOTORIZED VARIABLE TRANSFORMER TYPE: M5021E-3Y

MATERIAL: ALL DIMENSIONS APPLY AFTER PLATING

STACO ENERGY PRODUCTS CO. A Components Corporation of America Company 302 Gadsden Boulevard Dayton, Ohio 45403 USA

DRAWN BY S.A. SMITH DATE 11/14/94 FIRST USED ON M5021E-3Y DO NOT SCALE DWG. CHECKER DATE WEIGHT APPROX. 83008 DWG. SIZE D 031-8290 ENGINEER DATE SCALE .25=1 SHEET 1 OF 1