



Chipsmall Limited consists of a professional team with an average of over 10 year of expertise in the distribution of electronic components. Based in Hongkong, we have already established firm and mutual-benefit business relationships with customers from,Europe,America and south Asia,supplying obsolete and hard-to-find components to meet their specific needs.

With the principle of “Quality Parts,Customers Priority,Honest Operation,and Considerate Service”,our business mainly focus on the distribution of electronic components. Line cards we deal with include Microchip,ALPS,ROHM,Xilinx,Pulse,ON,Everlight and Freescale. Main products comprise IC,Modules,Potentiometer,IC Socket,Relay,Connector.Our parts cover such applications as commercial,industrial, and automotives areas.

We are looking forward to setting up business relationship with you and hope to provide you with the best service and solution. Let us make a better world for our industry!



## Contact us

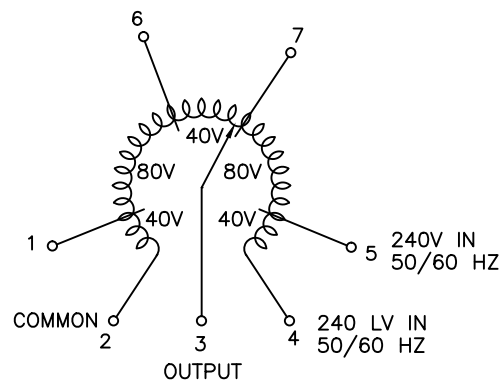
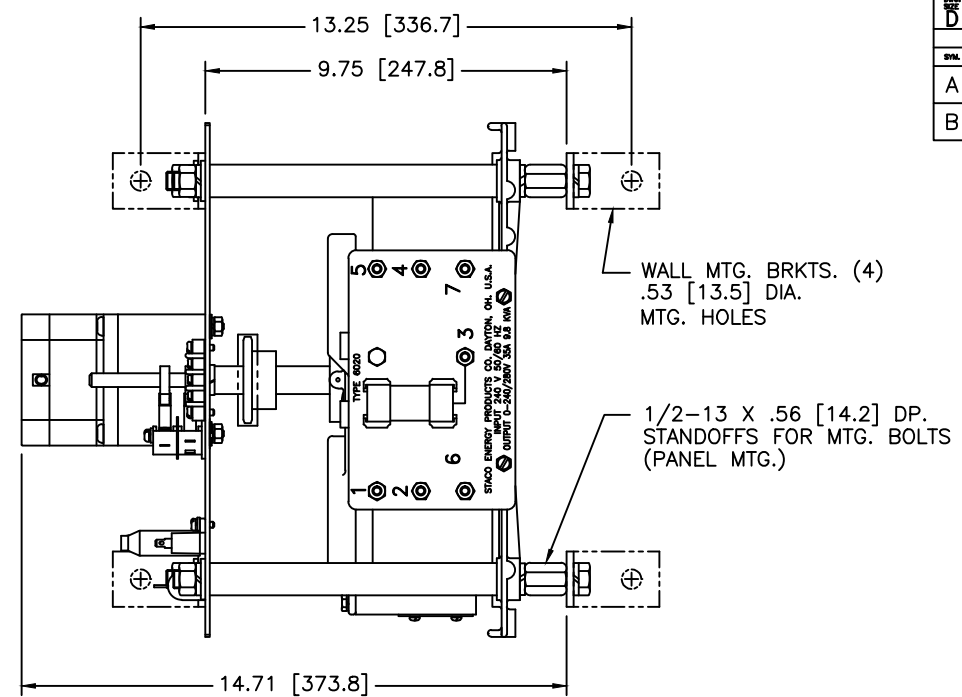
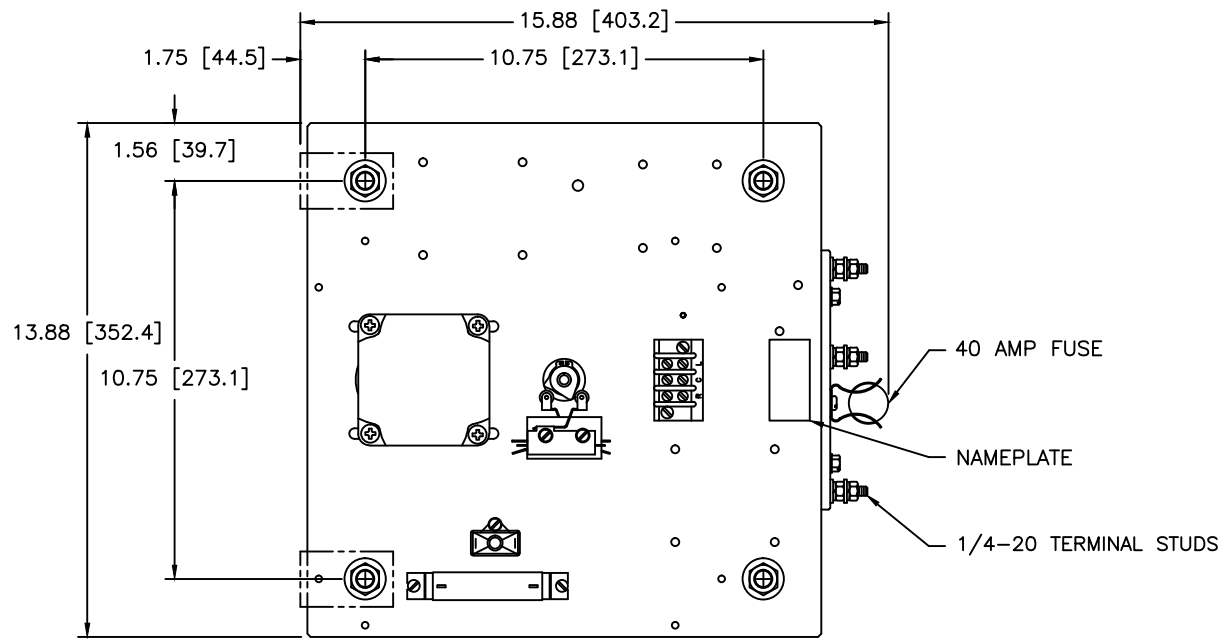
Tel: +86-755-8981 8866 Fax: +86-755-8427 6832

Email & Skype: info@chipsmall.com Web: www.chipsmall.com

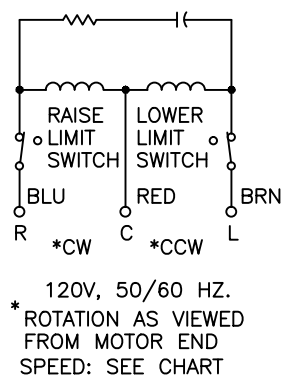
Address: A1208, Overseas Decoration Building, #122 Zhenhua RD., Futian, Shenzhen, China



Dwg. No.		032-7585	
REVISIONS			
SYL.	E.C.N.	DATE	APD.
A	23500	9/11/97	
REVISED & REDRAWN			
B	24955	11/20/02	
NEW MOTOR			



SCHMATIC  
VIEW FROM BASE END



MOTOR CIRCUIT

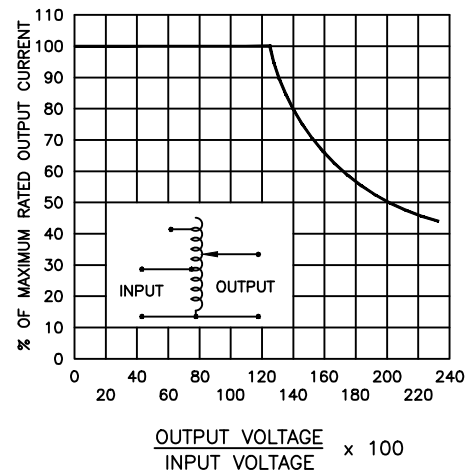


FIGURE A  
MAXIMUM OUTPUT CURRENT OF ANY DUAL INPUT VOLTAGE OR VOLTAGE DOUBLER UNIT OPERATED AT LOWER INPUT VOLTAGE.

# MAXIMUM OUTPUT CURRENT IN OUTPUT VOLTAGE RANGE FROM 0 TO 25% ABOVE LINE VOLTAGE. AT HIGHER OUTPUT VOLTAGES, OUTPUT CURRENT MUST BE REDUCED ACCORDING TO RATING CURVE, FIGURE A.

‡ MAXIMUM KVA AT MAXIMUM OUTPUT AND CORRESPONDING DE-RATED CURRENT. MAXIMUM KVA AT LOWER OUTPUT VOLTAGES MAY BE CALCULATED FROM RATING CURVE, FIGURE A.

SPEED (SECONDS)	MODEL NUMBER
15	15M6020
30	30M6020
60	60M6020

SPECIFICATIONS								
WIRING	INPUT		OUTPUT			SHAFT ROTATION FOR INCREASE VOLTAGE	TERMINAL CONNECTIONS	
	VOLTS	HERTZ	VOLTS	MAX. AMPS	MAX. KVA		FOR INCREASING VOLTAGE AS VIEWED FROM ROTOR END	
SINGLE PHASE	240	50/60	0-240	35	8.4	CW	2-4	2-3
			0-280	35	9.8	CCW	4-2	4-3
	120	50/60	0-280	35-15#	4.2 ‡	CW	2-5	2-3
						CCW	4-1	4-3
			0-280	V.D.	CW	2-6	2-3	
					CCW	4-7	4-3	

UNLESS OTHERWISE SPECIFIED, TOLERANCE IS ± DECIMALS OF .005 IN .125 JOG JOG JOG .005 JOG JOG

HOLES .125 JOG JOG

ANGLES 1°

DIRT 1°-1/2°

LIMITS IN (mm)

ALL DIMENSIONS APPLY UNLESS PLATING

TITLE: SPEC. CONTROL DRAWING  
MOTORIZED VARIABLE XFMR.  
TYPE: M6020

DRAWN BY: TIM RAU  
DATE: 9/11/97  
FIRST USED ON: 9/11/97  
CHECKER: DATE: 9/11/97  
ENGINEER: DATE: 9/11/97

DO NOT SCALE DWG.

SCALE: .5=1

SHEET 1 OF 1

DWG. NO. 032-7585

**STACO ENERGY PRODUCTS CO.**  
A Conbraco Corporation of America Company  
214 South Boulevard Dayton, Ohio 45424-0004