



Chipsmall Limited consists of a professional team with an average of over 10 year of expertise in the distribution of electronic components. Based in Hongkong, we have already established firm and mutual-benefit business relationships with customers from,Europe,America and south Asia,supplying obsolete and hard-to-find components to meet their specific needs.

With the principle of “Quality Parts,Customers Priority,Honest Operation,and Considerate Service”,our business mainly focus on the distribution of electronic components. Line cards we deal with include Microchip,ALPS,ROHM,Xilinx,Pulse,ON,Everlight and Freescale. Main products comprise IC,Modules,Potentiometer,IC Socket,Relay,Connector.Our parts cover such applications as commercial,industrial, and automotives areas.

We are looking forward to setting up business relationship with you and hope to provide you with the best service and solution. Let us make a better world for our industry!



Contact us

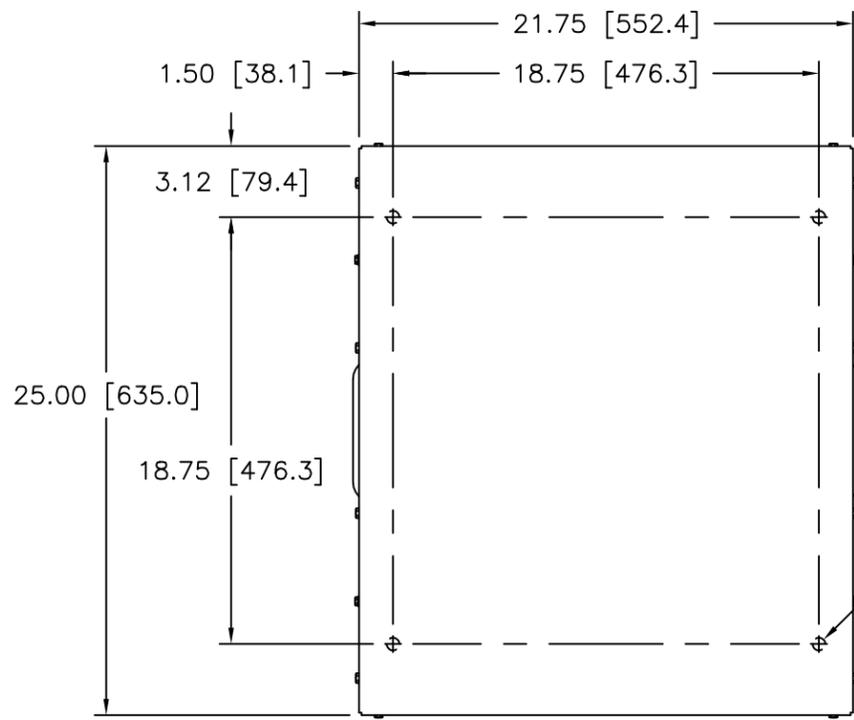
Tel: +86-755-8981 8866 Fax: +86-755-8427 6832

Email & Skype: info@chipsmall.com Web: www.chipsmall.com

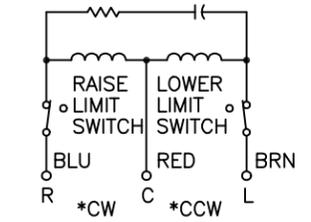
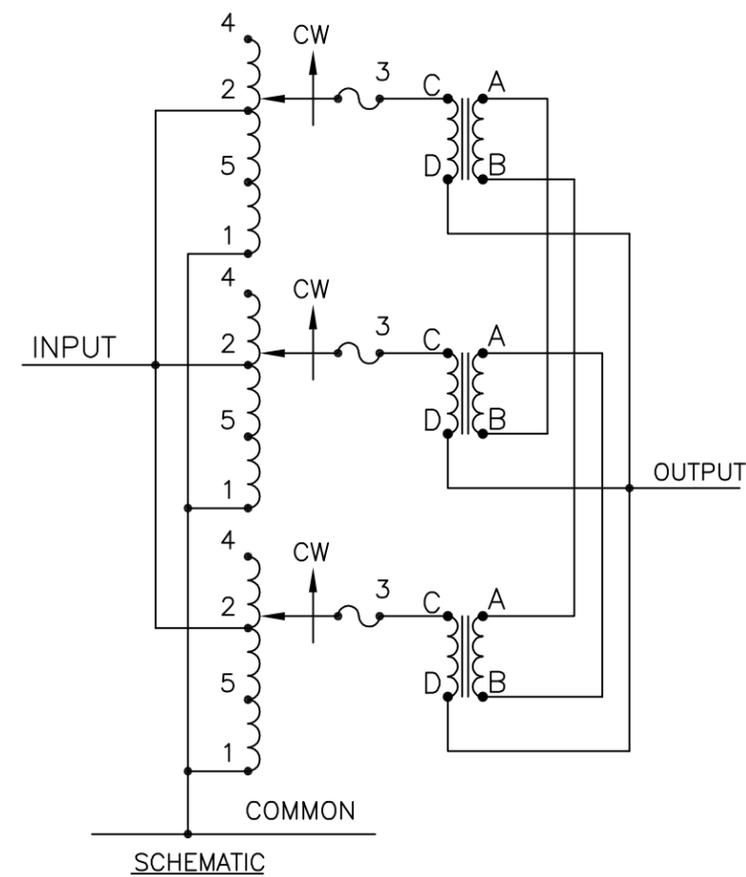
Address: A1208, Overseas Decoration Building, #122 Zhenhua RD., Futian, Shenzhen, China



DWG. NO.	032-7685		
REVISIONS			
SYL.	E.C.N.	DATE	APD.
A	23074	2/7/96	
REVISE SCHEMATIC			
B	23337	3/6/97	
REVISED & UPDATED			



.56 [14.3] DIA. HOLE
4 PLACES ON BOTTOM
FLANGES FOR CUSTOMER
MOUNTING



MOTOR CIRCUIT
120V, 50/60 HZ
* ROTATION AS VIEWED
FROM TOP END
MOTOR SPEEDS: SEE CHART

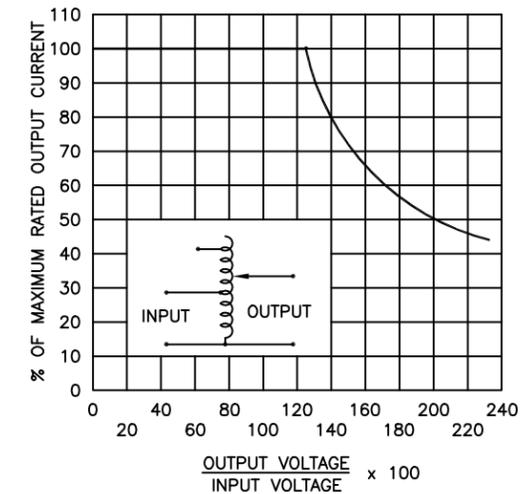


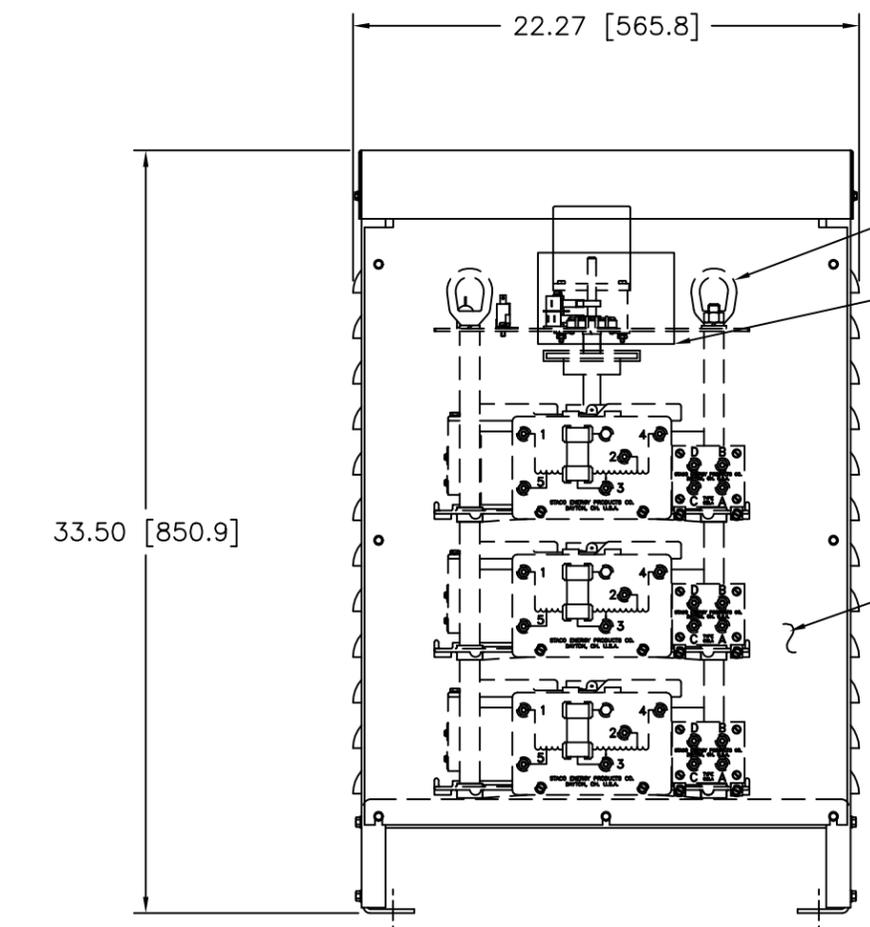
FIGURE A
MAXIMUM OUTPUT CURRENT OF ANY
DUAL INPUT VOLTAGE OR VOLTAGE DOUBLER
UNIT OPERATED AT LOWER INPUT VOLTAGE.

* MAXIMUM OUTPUT CURRENT IN OUTPUT VOLTAGE RANGE FROM 0 TO 25 PERCENT ABOVE LINE VOLTAGE. AT HIGHER OUTPUT VOLTAGES, OUTPUT CURRENT MUST BE REDUCED ACCORDING TO RATING CURVE (SEE FIGURE A).

++ MAXIMUM KVA AT MAXIMUM OUTPUT AND CORRESPONDING DE-RATED CURRENT. MAXIMUM KVA AT LOWER OUTPUT VOLTAGES MAY BE CALCULATED FROM RATING CURVE, (SEE FIGURE A).

V.D. = VOLTAGE DOUBLER.

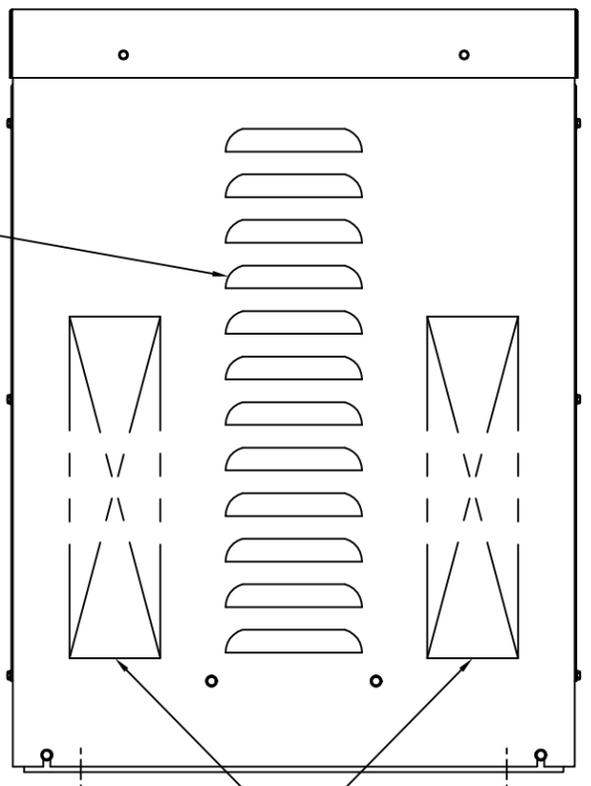
SPEED (SECONDS)	MODEL NUMBER
5	5M6020E-3P
15	15M6020E-3P
30	30M6020E-3P
60	60M6020E-3P



2 EYENUTS
FOR CONVEYING
NAMEPLATE

LOUVER VENTS
BOTH SIDES

ACCESS PANEL TO
FUSES & TERMINALS



RECOMMENDED AREAS
FOR CONDUIT

SPECIFICATIONS								
WIRING	INPUT		OUTPUT			SHAFT ROTATION FOR VOLTAGE INCREASE	TERMINAL CONNECTIONS FOR INCREASING VOLTAGE AS VIEWED FROM TOP	
	VOLTS	HERTZ	VOLTS	CONSTANT CURRENT LOAD			INPUT	OUTPUT
SINGLE PHASE PARALLEL	240	50/60	0-240	105	25.2	CW	1-4	1-D
			0-280	105	29.4	CW	1-2	1-D
	120	50/60	0-280	105-45 V.D.	12.6 ++	CW	1-5	1-D
<small>UNLESS OTHERWISE SPECIFIED, TOLERANCE IS * DECIMALS Holes .12 ANGLES DRAFT 1:1 UNITS IN [mm] TITLE: SPECIFICATION CONTROL DRAWING MOTORIZED VARIABLE TRANSFORMER M6020E-3P</small>								
<small>MATERIAL: ALL DIMENSIONS APPLY AFTER PLATING</small>								
<small>THE INFORMATION AND DESIGN DISCLOSED HEREIN WAS ORIGINATED BY AND IS THE PROPERTY OF STACO ENERGY PRODUCTS CO., WHICH RESERVES ALL PATENT, PROPRIETARY, DESIGN, MANUFACTURING, REPRODUCTION, USE AND SALE RIGHTS THEREIN, AND TO ANY ARTICLE DISCLOSED THEREIN EXCEPT TO THE EXTENT RIGHTS ARE EXPRESSLY GRANTED TO OTHERS. THE FOREGOING DOES NOT APPLY TO VENDOR PROPRIETARY PARTS.</small>								
DRAWN BY	DATE	FIRST USED ON	DO NOT SCALE DWG.	CUSTOMER APPROVAL				
A.ARAGON	3/17/95	M6020E-3P		DATE	DATE	DATE	DATE	DATE
CHECKER	DATE	WEIGHT APPROX.	CODE IDENT. NO. 83008	DWG. NO. 032-7685				
ENGINEER	DATE	SCALE .25=1	SHEET 1 OF 1	DWG. NO. 032-7685				

