



Chipsmall Limited consists of a professional team with an average of over 10 year of expertise in the distribution of electronic components. Based in Hongkong, we have already established firm and mutual-benefit business relationships with customers from,Europe,America and south Asia,supplying obsolete and hard-to-find components to meet their specific needs.

With the principle of “Quality Parts,Customers Priority,Honest Operation,and Considerate Service”,our business mainly focus on the distribution of electronic components. Line cards we deal with include Microchip,ALPS,ROHM,Xilinx,Pulse,ON,Everlight and Freescale. Main products comprise IC,Modules,Potentiometer,IC Socket,Relay,Connector.Our parts cover such applications as commercial,industrial, and automotives areas.

We are looking forward to setting up business relationship with you and hope to provide you with the best service and solution. Let us make a better world for our industry!



Contact us

Tel: +86-755-8981 8866 Fax: +86-755-8427 6832

Email & Skype: info@chipsmall.com Web: www.chipsmall.com

Address: A1208, Overseas Decoration Building, #122 Zhenhua RD., Futian, Shenzhen, China



Series 61

Characteristics

The compact 16 mm Series 61 is especially suited for:

- Flush design
- Raised design
- PCB (with adaptor)

The modular design caters to a broad range of applications and combinations.

Functions

The Series 61 incorporates the following functions:

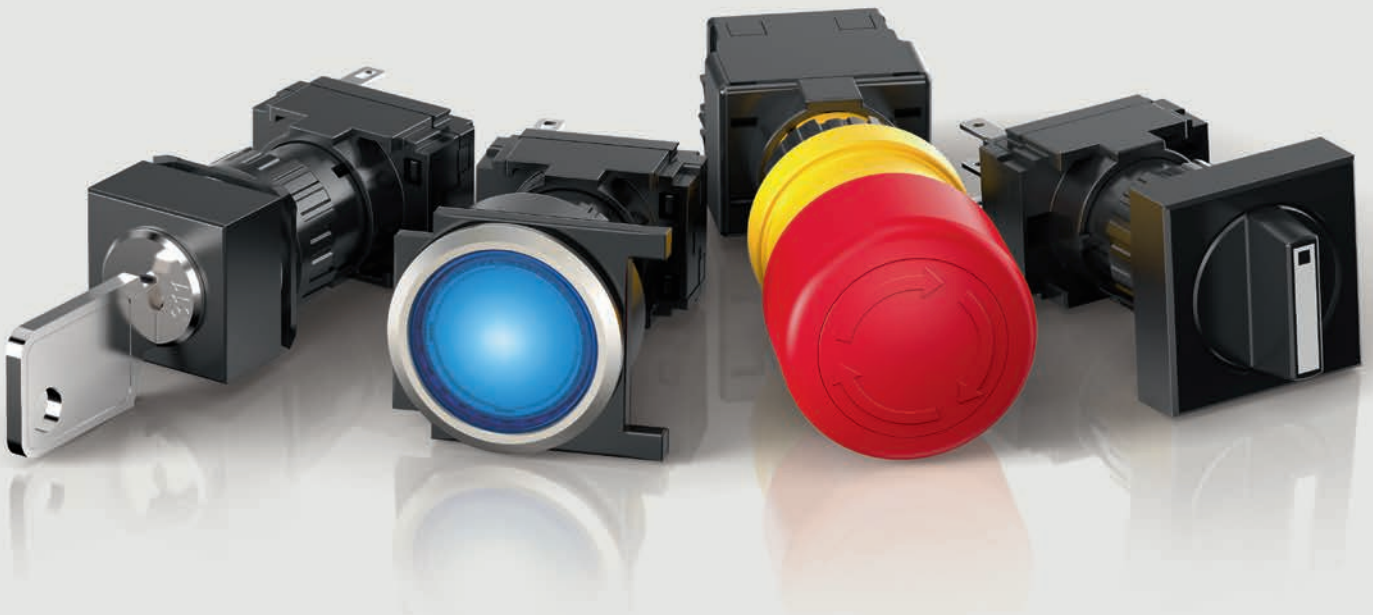
- Indicator
- Pushbutton
- Illuminated pushbutton
- E-STOP switch
- Stop switch
- Mushroom-head pushbutton
- Keylock switch
- Selector switch
- Buzzer
- Potentiometer

Market segments

The EAO Series 61 is especially suited for applications in the segments:

- Public transportation
- Machinery and Automation
- Construction machines and special-purpose vehicles
- Lifting and moving
- Panel building

Please refer to the EAO website to obtain detailed information regarding this series www.products.eao.com
Configure a product to your exact needs and request a quotation.



Overview**Flush design**

Indicator	4
Buzzer	10
Pushbutton	11
Illuminated pushbutton	12
Mushroom-head pushbutton	15
Keylock switch	16
Selector switch	25
Potentiometer	29

Raised design

Indicator	30
Illuminated pushbutton	34
Emergency-stop switch	37
Stop switch	39
Mushroom-head pushbutton	41
Keylock switch	42
Selector switch	51

Accessories**55****Drawings****89****Technical data****92****Marking****98****Application guidelines****101****Index****102**

61 Flush design

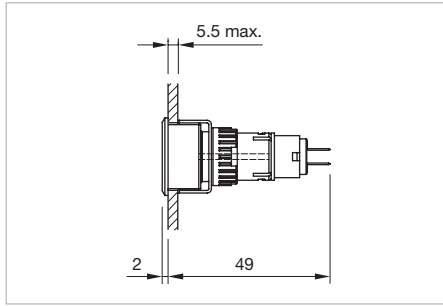
Indicator complete square, IP 65



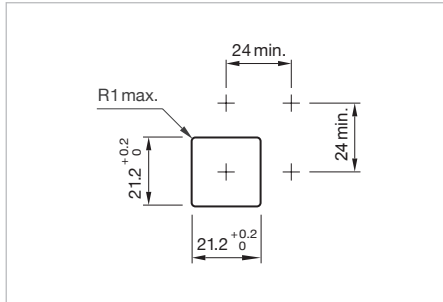
Product can differ from the current configuration.

Additional Information

- For front dimension 24 x 24 mm



Dimensions [mm]



Mounting cut-outs [mm]

Equipment consisting of (schematic overview)



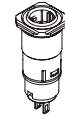
Lens

page 55



LED

page 80



Actuator




Front bezel set page 63

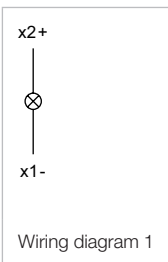


Fixing nut

Each Part Number listed below includes all the black components shown in the 3D-drawing.

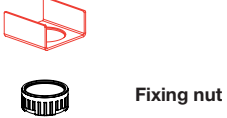
To obtain a complete unit, please select the red components from the pages shown.

Terminal	Part No.	Wiring diagram	Weight
 <p>Indicator actuator complete square</p> <p>Solder 2.8 x 0.5 mm</p>	61-0000.02	1	0,006 kg



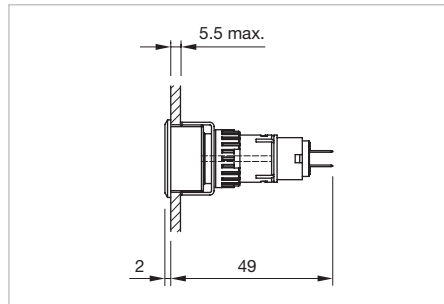
Indicator complete rectangular, IP 65

Equipment consisting of (schematic overview)

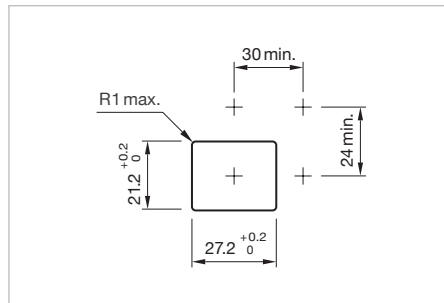


Each Part Number listed below includes all the black components shown in the 3D-drawing.

To obtain a complete unit, please select the red components from the pages shown.



Dimensions [mm]




Mounting cut-outs [mm]



Product can differ from the current configuration.

Additional Information

- For front dimension 24 x 30 mm

Terminal	Part No.	Wiring diagram	Weight
 <p>Indicator actuator complete rectangular</p> <p>Solder 2.8 x 0.5 mm</p>	61-0000.02	1	0.006 kg

x2+



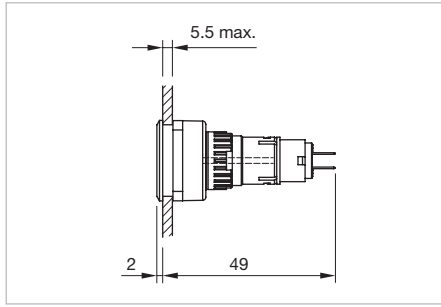
Wiring diagram 1

61 Flush design

Indicator complete round, IP 65



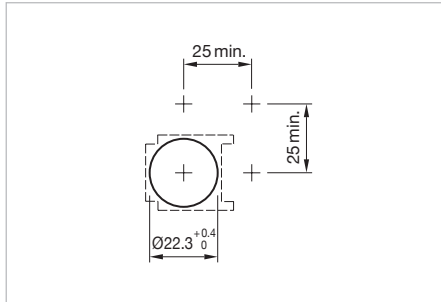
Product can differ from the current configuration.



Dimensions [mm]

Additional Information

- For front dimension \varnothing 25 mm




Mounting cut-outs [mm]

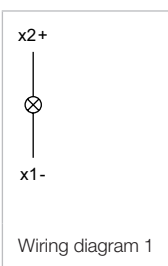
Equipment consisting of (schematic overview)

	Lens	page 55
	LED	page 80
	Actuator	
	Front bezel set	page 63
	Fixing nut	

Each Part Number listed below includes all the black components shown in the 3D-drawing.



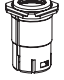

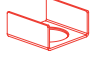
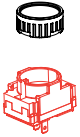
To obtain a complete unit, please select the red components from the pages shown.

Terminal	Part No.	Wiring diagram	Weight
 <p>Indicator actuator complete round</p>			
Solder 2.8 x 0.5 mm	61-0000.02	1	0.006 kg



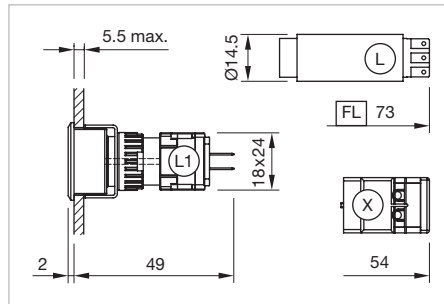
Indicator square, IP 65

Equipment consisting of (schematic overview)

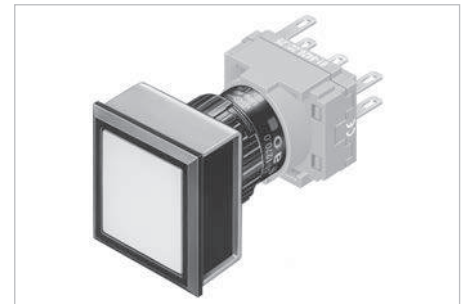
-  **Lens** page 55
-  **LED** page 80
-  **Actuator**
-  **Front bezel set** page 63
-  **Fixing nut**
-  **Lamp element** page 73

Each Part Number listed below includes all the black components shown in the 3D-drawing.

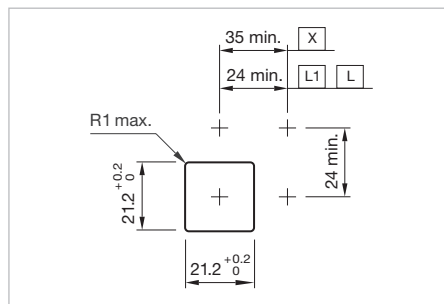
To obtain a complete unit, please select the red components from the pages shown.



Dimensions [mm]
 L1 = Solder/Plug-in terminal 2.8 x 0.5 mm,
 L = Solder terminal,
 X = Screw terminal,
 FL = Flasher



Product can differ from the current configuration.



Mounting cut-outs [mm]
 L1 = Solder/Plug-in terminal 2.8 x 0.5 mm,
 L = Solder terminal,
 X = Screw terminal

Additional Information

- For front dimension 24 x 24 mm

Part No.

Weight



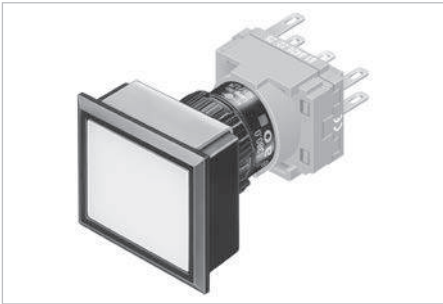
Indicator actuator square, flush design

61-0009.0

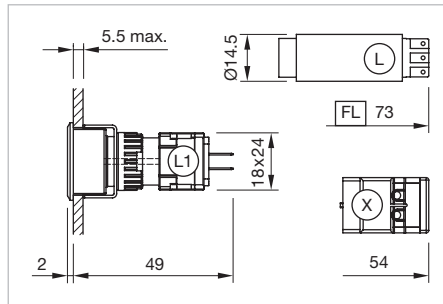
0.005 kg

61 Flush design

Indicator rectangular, IP 65



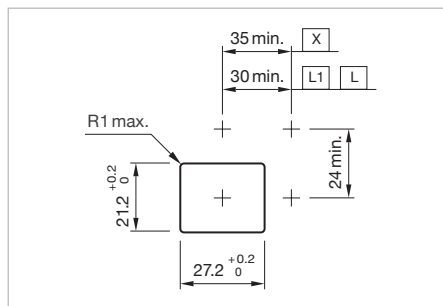
Product can differ from the current configuration.



Dimensions [mm]
 L1 = Solder/Plug-in terminal 2.8 x 0.5 mm,
 L = Solder terminal,
 X = Screw terminal,
 FL = Flasher





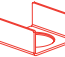
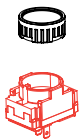
Additional Information

- For front dimension 24 x 30 mm




Mounting cut-outs [mm]
 L1 = Solder/Plug-in terminal 2.8 x 0.5 mm,
 L = Solder terminal,
 X = Screw terminal

Equipment consisting of (schematic overview)

-  **Lens** page 55
-  **LED** page 80
-  **Actuator**
-  **Front bezel set** page 63
-  **Fixing nut**
-  **Lamp element** page 73



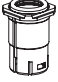



Each Part Number listed below includes all the black components shown in the 3D-drawing.

To obtain a complete unit, please select the red components from the pages shown.

Part No.	Weight
 <p>Indicator actuator rectangular</p>	
61-0009.0	0.005 kg

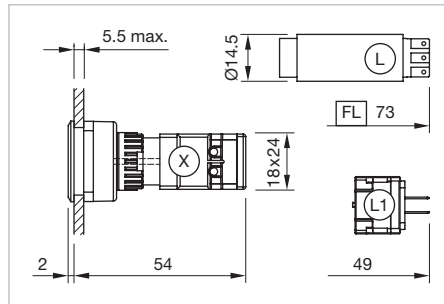
Indicator round, IP 65

Equipment consisting of (schematic overview)

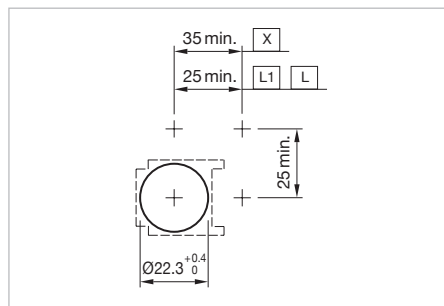
	Lens	<i>page 55</i>
	LED	<i>page 80</i>
	Actuator	
	Front bezel set	<i>page 63</i>
	Fixing nut	
	Lamp element	<i>page 73</i>

Each Part Number listed below includes all the black components shown in the 3D-drawing.

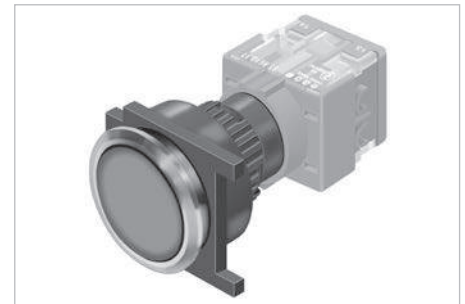
To obtain a complete unit, please select the red components from the pages shown.



Dimensions [mm]
 L1 = Solder/Plug-in terminal 2.8 x 0.5 mm,
 L = Solder terminal,
 X = Screw terminal,
 FL = Flasher



Mounting cut-outs [mm]
 L1 = Solder/Plug-in terminal 2.8 x 0.5 mm,
 L = Solder terminal,
 X = Screw terminal



Product can differ from the current configuration.

Additional Information

- For front dimension Ø 25 mm

Part No.

Weight



Indicator actuator round

61-0009.0

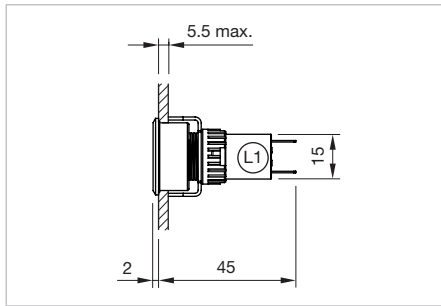
0.005 kg

61 Flush design

Buzzer, IP 40



Product can differ from the current configuration.



Dimensions [mm]
L1 = Solder/Plug-in terminal 2.8 x 0.5 mm

Equipment consisting of (schematic overview)



Actuator



Anti-twist ring

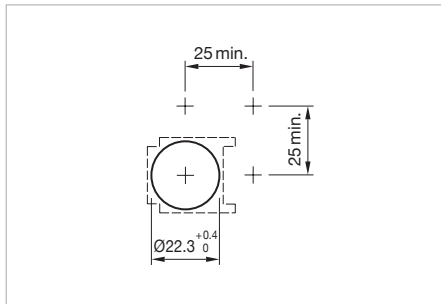


Fixing nut


Each Part Number listed below includes all the black components shown in the 3D-drawing.

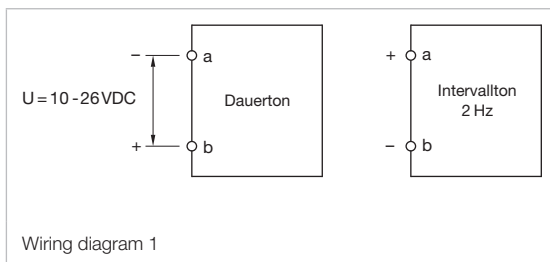
Additional Information

- Further information see «Technical data»



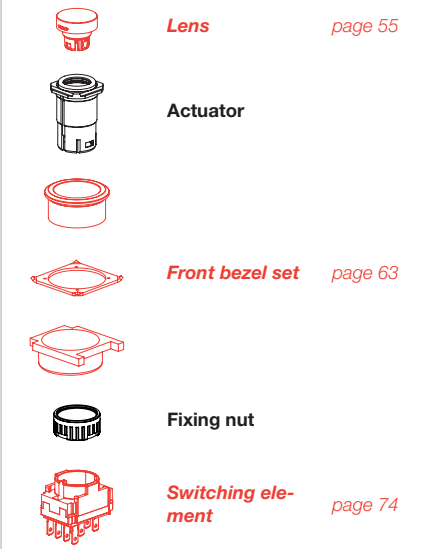
Mounting cut-outs [mm]

Front protection	Operating voltage	Front cap	Terminal	Part No.	Wiring diagram	Weight
	Buzzer, Front dimension Ø 25 mm					
IP 40	10 ... 26 VDC	Plastic black	Plug 2.8 x 0.5 mm	61-7000.02	1	0.015 kg
IP 65	10 ... 26 VDC	Plastic black	Plug 2.8 x 0.5 mm	61-7100.02	1	0.015 kg



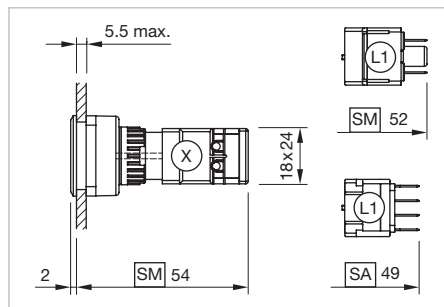
Pushbutton round, IP 65

Equipment consisting of (schematic overview)

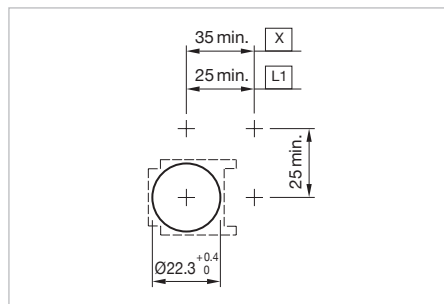


Each Part Number listed below includes all the black components shown in the 3D-drawing.

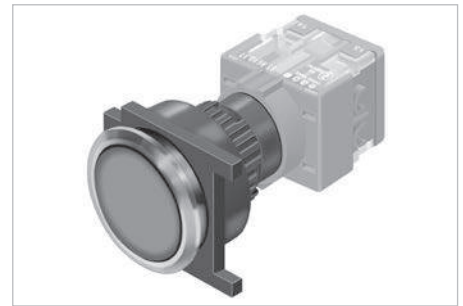
To obtain a complete unit, please select the red components from the pages shown.



Dimensions [mm]
 L1 = Solder/Plug-in terminal 2.8 x 0.5 mm,
 SA = Snap-action switching element,
 SA = Slow-make switching element,
 X = Screw terminal




Mounting cut-outs [mm]
 L1 = Solder/Plug-in terminal 2.8 x 0.5 mm,
 X = Screw terminal



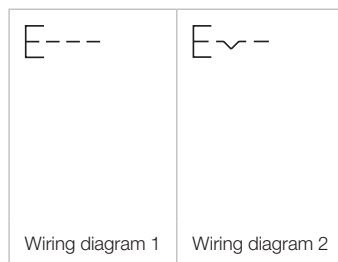
Product can differ from the current configuration.

Additional Information

- For front dimension Ø 25 mm

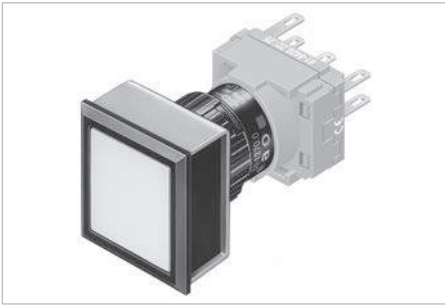
Product attribute	Switching action	Part No.	Wiring diagram	Weight
 <p>Pushbutton actuator round</p>	B	61-1100.0	1	0.005 kg
	C	61-1200.0	2	0.005 kg
	B-C convertible from momentary to maintained action	B - C	61-1300.0	1

Switching action: B = Momentary, C= Maintained

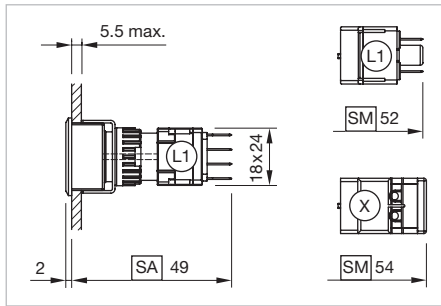


61 Flush design

Illuminated pushbutton square, IP 65



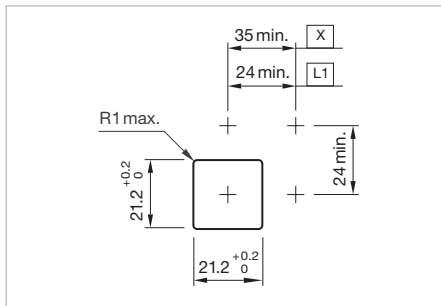
Product can differ from the current configuration.



Dimensions [mm]
 L1 = Solder/Plug-in terminal 2.8 x 0.5 mm,
 SA = Snap-action switching element,
 SA = Slow-make switching element,
 X = Screw terminal



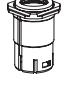



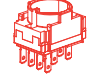
Additional Information

- For front dimension 24 x 24 mm




Mounting cut-outs [mm]
 L1 = Solder/Plug-in terminal 2.8 x 0.5 mm,
 X = Screw terminal

Equipment consisting of (schematic overview)

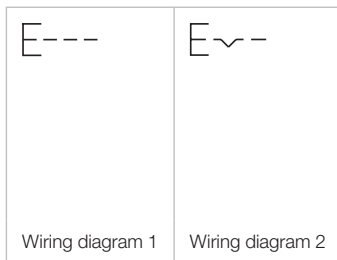
-  **Lens** page 55
-  **LED** page 80
-  **Actuator**
-  **Front bezel set** page 63
-  **Front bezel set**
-  **Fixing nut**
-  **Switching element** page 74

Each Part Number listed below includes all the black components shown in the 3D-drawing.

To obtain a complete unit, please select the red components from the pages shown.



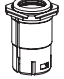

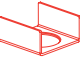

Product attribute	Switching action	Part No.	Wiring diagram	Weight
 <p>Illuminated pushbutton actuator square</p>	B	61-1100.0	1	0.005 kg
	C	61-1200.0	2	0.005 kg
	B-C convertible from momentary to maintained action	61-1300.0	1	0.005 kg

Switching action: B = Momentary, C= Maintained



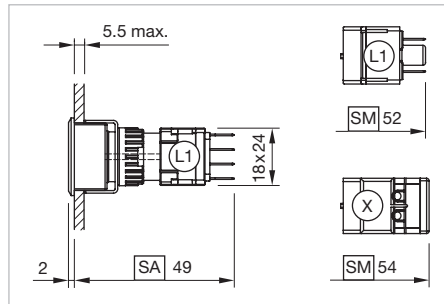
Illuminated pushbutton rectangular, IP 65

Equipment consisting of (schematic overview)

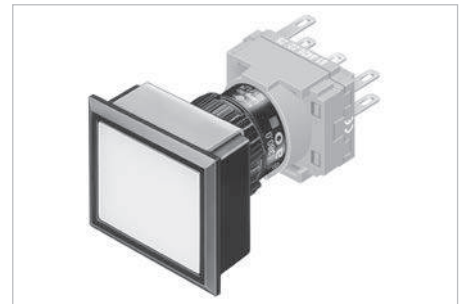
-  **Lens** page 55
-  **LED** page 80
-  **Actuator**
-  **Front bezel set** page 63
-  **Switching element** page 74
-  **Fixing nut**

Each Part Number listed below includes all the black components shown in the 3D-drawing.

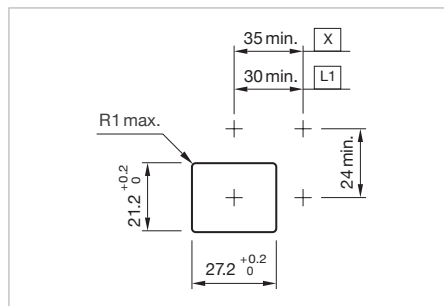
To obtain a complete unit, please select the red components from the pages shown.



Dimensions [mm]
 L1 = Solder/Plug-in terminal 2.8 x 0.5 mm,
 SA = Snap-action switching element,
 SA = Slow-make switching element,
 X = Screw terminal




Product can differ from the current configuration.



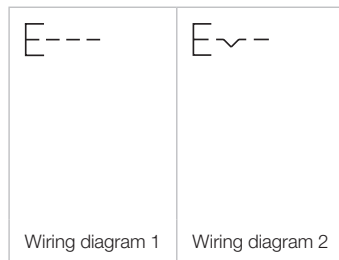
Mounting cut-outs [mm]
 L1 = Solder/Plug-in terminal 2.8 x 0.5 mm,
 X = Screw terminal

Additional Information

- For front dimension 24 x 30 mm

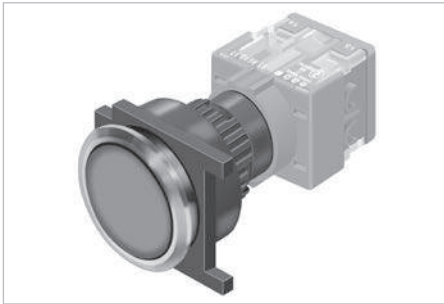
Product attribute	Switching action	Part No.	Wiring diagram	Weight
 <p>Illuminated pushbutton actuator rectangular</p>	B	61-1100.0	1	0.005 kg
	C	61-1200.0	2	0.005 kg
	B-C convertible from momentary to maintained action	B - C	61-1300.0	1

Switching action: B = Momentary, C= Maintained

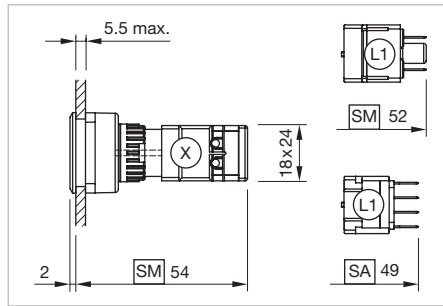


61 Flush design

Illuminated pushbutton round, IP 65

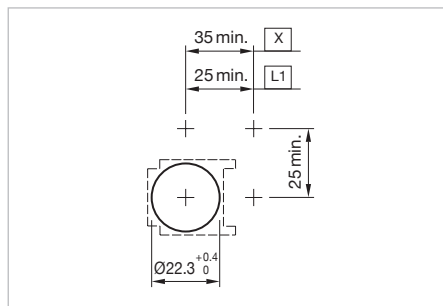


Product can differ from the current configuration.

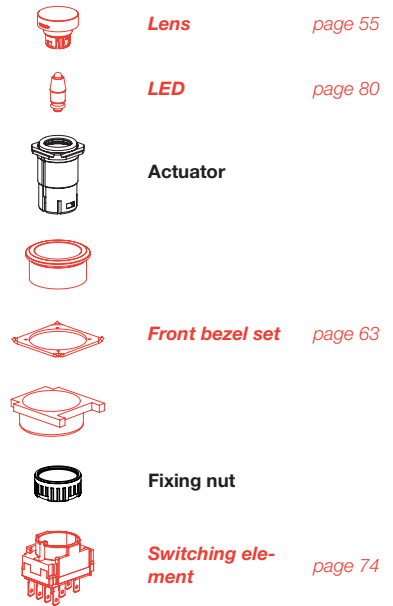


Additional Information

- For front dimension Ø 25 mm




Equipment consisting of (schematic overview)

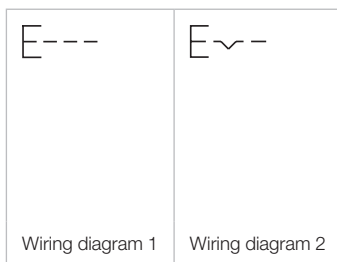


Each Part Number listed below includes all the black components shown in the 3D-drawing.

To obtain a complete unit, please select the red components from the pages shown.

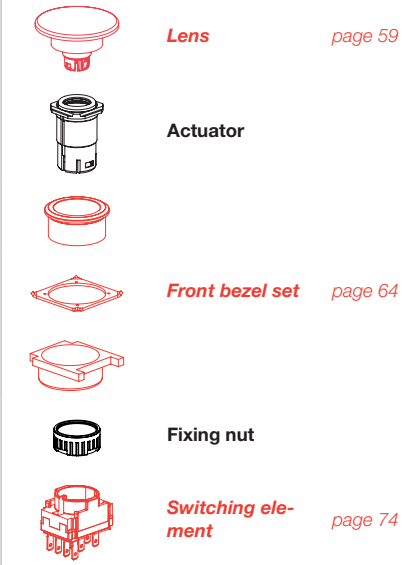
Product attribute	Switching action	Part No.	Wiring diagram	Weight
 <p>Illuminated pushbutton actuator round</p>	B	61-1100.0	1	0.005 kg
	C	61-1200.0	2	0.005 kg
	B-C convertible from momentary to maintained action	B - C	61-1300.0	1

Switching action: B = Momentary, C= Maintained



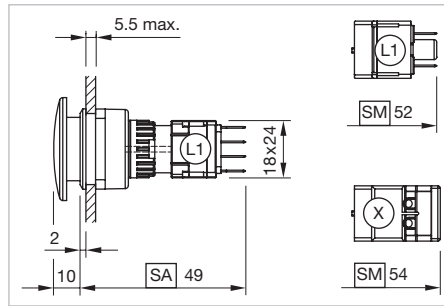
Mushroom-head pushbutton, IP 65

Equipment consisting of (schematic overview)

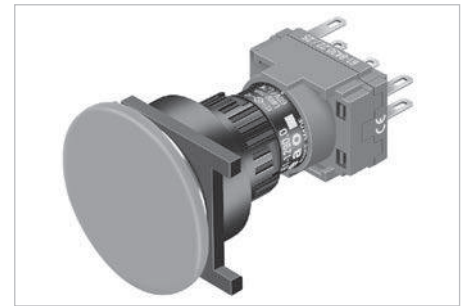


Each Part Number listed below includes all the black components shown in the 3D-drawing.

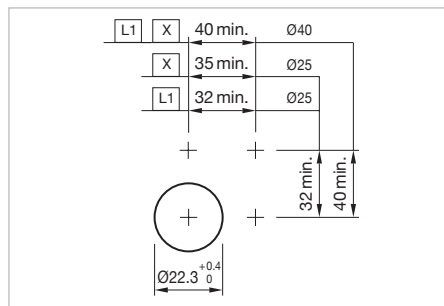
To obtain a complete unit, please select the red components from the pages shown.




Dimensions [mm]
 L1 = Solder/Plug-in terminal 2.8 x 0.5 mm,
 SA = Snap-action switching element,
 SA = Slow-make switching element,
 X = Screw terminal



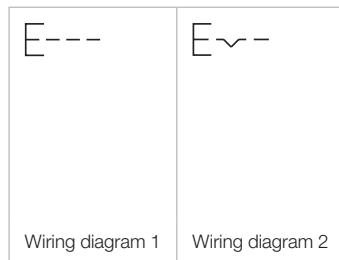
Product can differ from the current configuration.



Mounting cut-outs [mm]
 L1 = Solder/Plug-in terminal 2.8 x 0.5 mm,
 X = Screw terminal

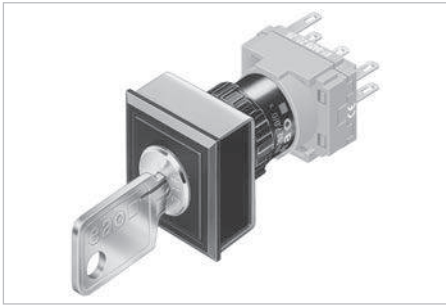
Product attribute	Switching action	Part No.	Wiring diagram	Weight
 <p>Mushroom-head pushbutton actuator, Front dimension Ø 32 mm</p>	B	61-1100.0	1	0.005 kg
	C	61-1200.0	2	0.005 kg
	B-C convertible from momentary to maintained action	B - C	61-1300.0	1

Switching action: B = Momentary, C= Maintained

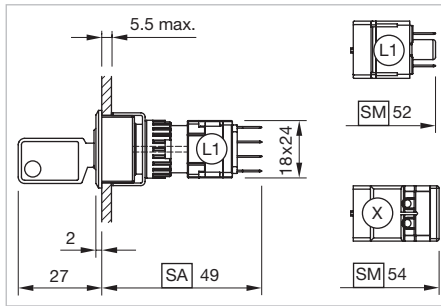


61 Flush design

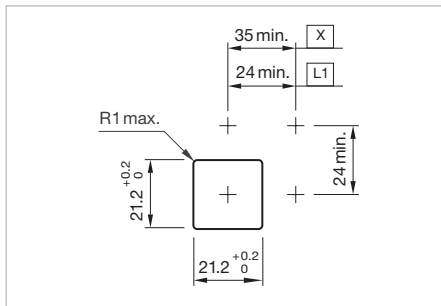
Keylock switch 2 positions square, IP 65



Product can differ from the current configuration.

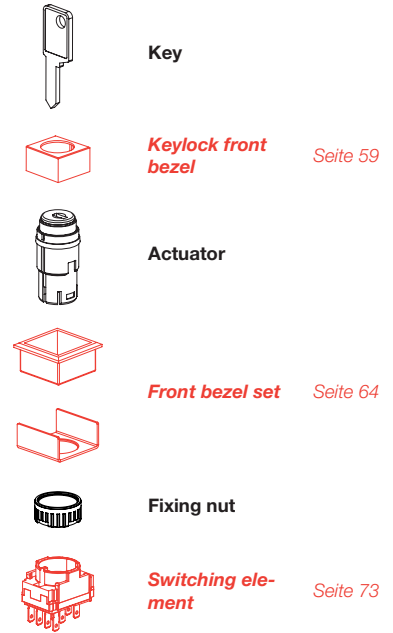


Dimensions [mm]
 L1 = Solder/Plug-in terminal 2.8 x 0.5 mm,
 SA = Snap-action switching element,
 SA = Slow-make switching element,
 X = Screw terminal



Mounting cut-outs [mm]
 L1 = Solder/Plug-in terminal 2.8 x 0.5 mm,
 X = Screw terminal

Equipment consisting of (schematic overview)

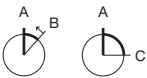


Each Part Number listed below includes all the black components shown in the 3D-drawing.


To obtain a complete unit, please select the red components from the pages shown.

Additional Information

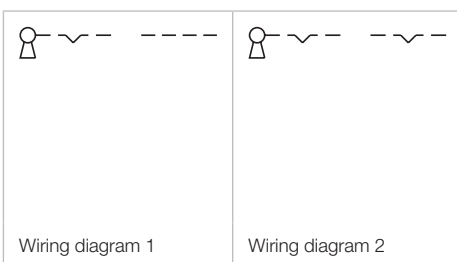
- For front dimension 24 x 24 mm
- Standard lock: DOM 311
- Two keys are supplied with each key lock switch
- Optional lock numbers on request



Switching positions (A = Rest, B = Momentary, C = Maintained)



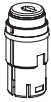
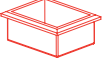
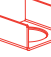
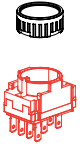
Switching action	Switching angle	Key remove	Part No.	Wiring diagram	Weight
 Keylock switch actuator 2 positions square					
A - B	B = 42°	A	61-2101.0/D	1	0.065 kg
A - C	C = 90°	A	61-2201.0/D	2	0.065 kg
		C	61-2203.0/D	2	0.065 kg
		A + C	61-2205.0/D	2	0.065 kg

Switching positions A = Rest, B = Momentary, C = Maintained



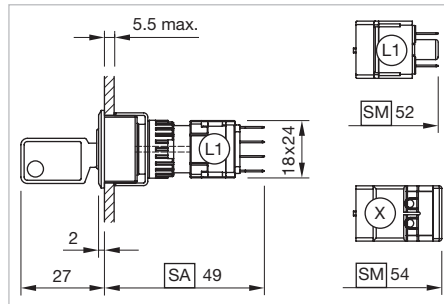
Keylock switch 2 positions rectangular, IP 65

Equipment consisting of (schematic overview)

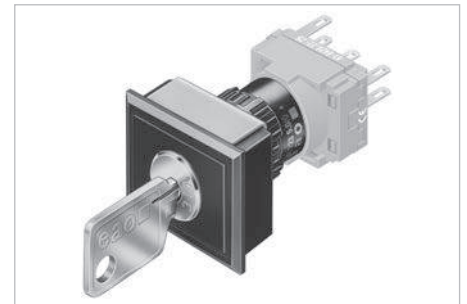
-  **Key**
-  **Keylock front bezel** Seite 59
-  **Actuator**
-  **Front bezel set** Seite 64
-  **Fixing nut**
-  **Switching element** Seite 73

Each Part Number listed below includes all the black components shown in the 3D-drawing.

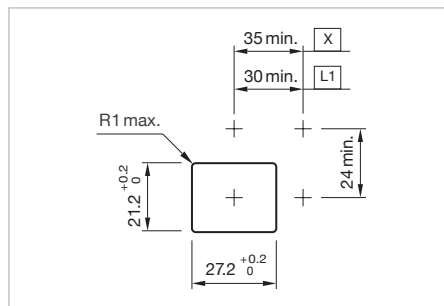
To obtain a complete unit, please select the red components from the pages shown.



Dimensions [mm]
 L1 = Solder/Plug-in terminal 2.8 x 0.5 mm,
 SA = Snap-action switching element,
 SA = Slow-make switching element,
 X = Screw terminal



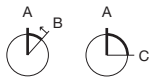
Product can differ from the current configuration.




Mounting cut-outs [mm]
 L1 = Solder/Plug-in terminal 2.8 x 0.5 mm,
 X = Screw terminal

Additional Information

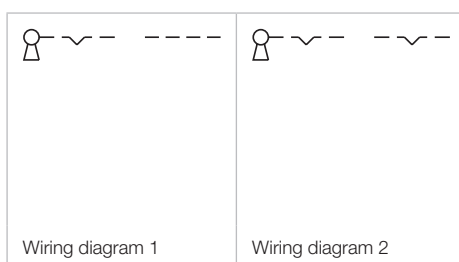
- For front dimension 24 x 30 mm
- Standard lock: DOM 311
- Two keys are supplied with each key lock switch
- Optional lock numbers on request



Switching positions (A = Rest, B = Momentary, C = Maintained)

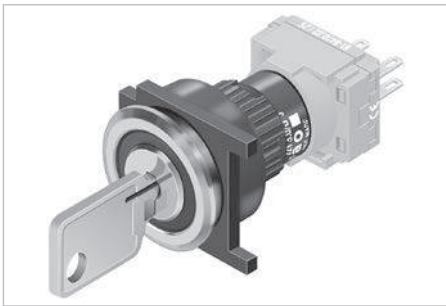
Switching action	Switching angle	Key remove	Part No.	Wiring diagram	Weight
 Keylock switch actuator 2 positions rectangular					
A - B	B = 42°	A	61-2101.0/D	1	0.065 kg
A - C	C = 90°	A	61-2201.0/D	2	0.065 kg
		C	61-2203.0/D	2	0.065 kg
		A + C	61-2205.0/D	2	0.065 kg

Switching positions A = Rest, B = Momentary, C = Maintained

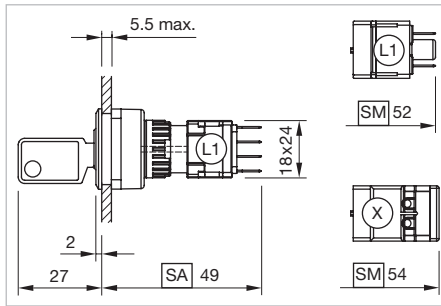


61 Flush design

Keylock switch actuator 2 positions round, IP 65



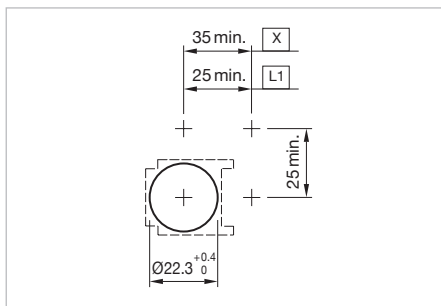
Product can differ from the current configuration.



Dimensions [mm]
 L1 = Solder/Plug-in terminal 2.8 x 0.5 mm,
 SA = Snap-action switching element,
 SA = Slow-make switching element,
 X = Screw terminal

Additional Information

- For front dimension Ø 25 mm
- Standard lock: DOM 311
- Two keys are supplied with each key lock switch
- Optional lock numbers on request



Mounting cut-outs [mm]
 L1 = Solder/Plug-in terminal 2.8 x 0.5 mm,
 X = Screw terminal

Equipment consisting of (schematic overview)



Schlüssel



Keylock front bezel Seite 59



Actuator



Front bezel set Seite 64



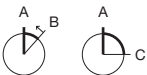
Fixing nut




Switching element Seite 73

Each Part Number listed below includes all the black components shown in the 3D-drawing.

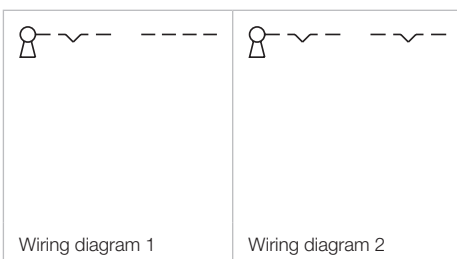
To obtain a complete unit, please select the red components from the pages shown.



Switching positions (A = Rest, B = Momentary, C = Maintained)



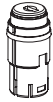
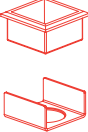

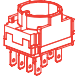
Switching action	Switching angle	Key remove	Part No.	Wiring diagram	Weight
 Keylock switch actuator 2 positions round					
A - B	B = 42°	A	61-2101.0/D	1	0.065 kg
A - C	C = 90°	A	61-2201.0/D	2	0.065 kg
		C	61-2203.0/D	2	0.065 kg
		A + C	61-2205.0/D	2	0.065 kg

Switching positions A = Rest, B = Momentary, C = Maintained



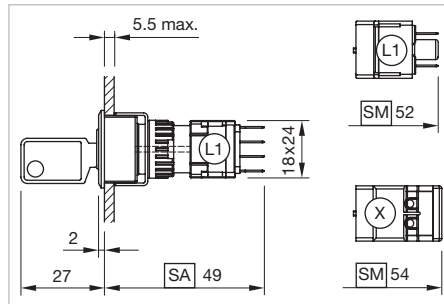
Keylock switch 3 positions square, IP 65

Equipment consisting of (schematic overview)

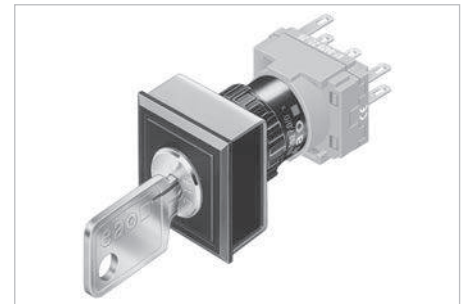
-  **Key**
-  **Keylock front bezel** *page 59*
-  **Actuator**
-  **Front bezel set** *page 64*
-  **Fixing nut**
-  **Switching element** *page 75*

Each Part Number listed below includes all the black components shown in the 3D-drawing.

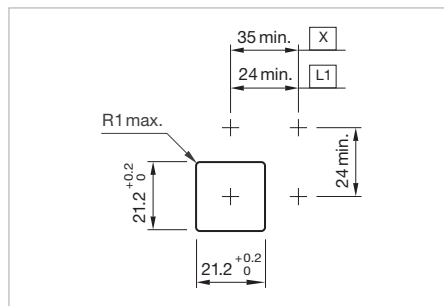
To obtain a complete unit, please select the red components from the pages shown.



Dimensions [mm]
 L1 = Solder/Plug-in terminal 2.8 x 0.5 mm,
 SA = Snap-action switching element,
 SA = Slow-make switching element,
 X = Screw terminal



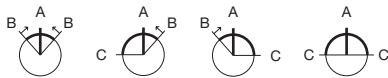
Product can differ from the current configuration.




Mounting cut-outs [mm]
 L1 = Solder/Plug-in terminal 2.8 x 0.5 mm,
 X = Screw terminal

Additional Information

- For front dimension 24 x 24 mm
- Standard lock: DOM 311
- Two keys are supplied with each key lock switch
- Optional lock numbers on request

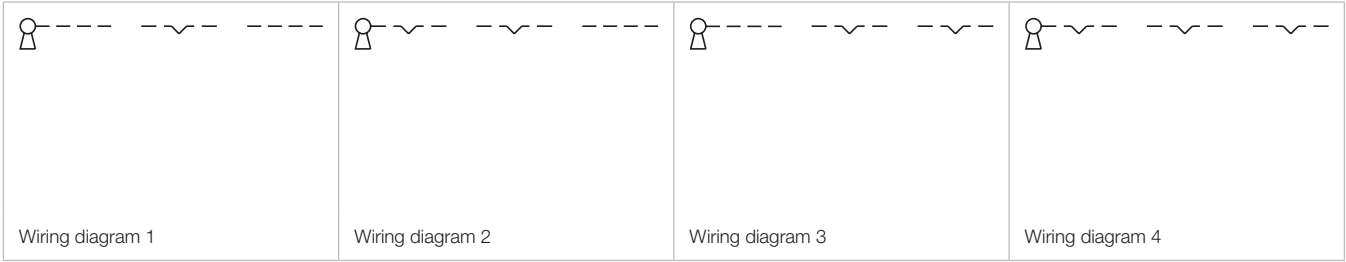


Switching positions (A = Rest, B = Momentary, C = Maintained)

Switching action	Switching angle	Key remove	Part No.	Wiring diagram	Weight
 Keylock switch actuator 3 positions square					
B - A - B	B = 42° / 42°	A	61-2501.0/D	1	0.065 kg
C - A - B	C = 90°, B = 42°	A	61-2801.0/D	2	0.065 kg
		C	61-2802.0/D	2	0.065 kg
		C + A	61-2804.0/D	2	0.065 kg
B - A - C	B = 42°, C = 90°	A	61-2701.0/D	3	0.065 kg
		A + C	61-2705.0/D	3	0.065 kg
C - A - C	C = 90° / 90°	A	61-2601.0/D	4	0.065 kg
		C - -	61-2602.0/D	4	0.065 kg
		- - C	61-2603.0/D	4	0.065 kg
		C + A	61-2604.0/D	4	0.065 kg
		A + C	61-2605.0/D	4	0.065 kg
		C + C	61-2606.0/D	4	0.065 kg
		C + A + C	61-2607.0/D	4	0.065 kg



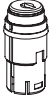


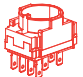
Switching positions A = Rest, B = Momentary, C = Maintained

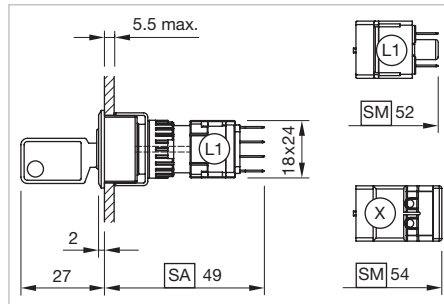
61 Flush design



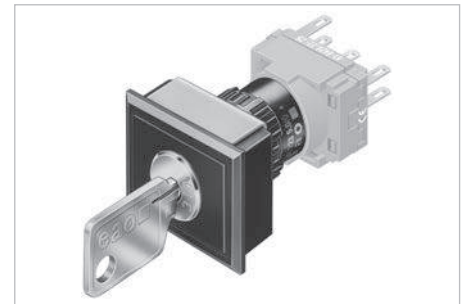
Keylock switch 3 positions rectangular, IP 65

Equipment consisting of (schematic overview)

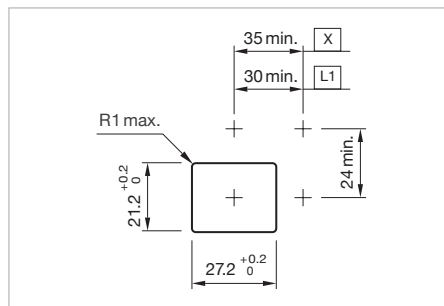
-  **Key**
-  **Keylock front bezel** *page 59*
-  **Actuator**
-  **Front bezel set** *page 64*
-  **Fixing nut**
-  **Switching element** *page 75*



Dimensions [mm]
 L1 = Solder/Plug-in terminal 2.8 x 0.5 mm,
 SA = Snap-action switching element,
 SA = Slow-make switching element,
 X = Screw terminal



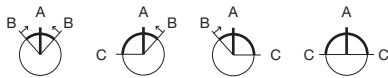
Product can differ from the current configuration.




Mounting cut-outs [mm]
 L1 = Solder/Plug-in terminal 2.8 x 0.5 mm,
 X = Screw terminal

Additional Information

- For front dimension 24 x 30 mm
- Standard lock: DOM 311
- Two keys are supplied with each key lock switch
- Optional lock numbers on request

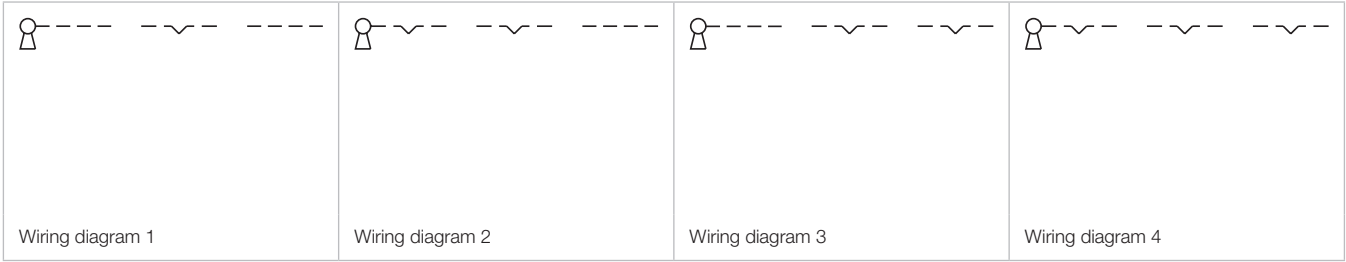


Switching positions (A = Rest, B = Momentary, C = Maintained)

Switching action	Switching angle	Key remove	Part No.	Wiring diagram	Weight
 Keylock switch actuator 3 positions rectangular					
B - A - B	B = 42° / 42°	A	61-2501.0/D	1	0.065 kg
C - A - B	C = 90°, B = 42°	A	61-2801.0/D	2	0.065 kg
		C	61-2802.0/D	2	0.065 kg
		C + A	61-2804.0/D	2	0.065 kg
B - A - C	B = 42°, C = 90°	A	61-2701.0/D	3	0.065 kg
		A + C	61-2705.0/D	3	0.065 kg
C - A - C	C = 90° / 90°	A	61-2601.0/D	4	0.065 kg
		C - -	61-2602.0/D	4	0.065 kg
		- - C	61-2603.0/D	4	0.065 kg
		C + A	61-2604.0/D	4	0.065 kg
		A + C	61-2605.0/D	4	0.065 kg
		C + C	61-2606.0/D	4	0.065 kg
		C + A + C	61-2607.0/D	4	0.065 kg



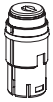



Switching positions A = Rest, B = Momentary, C = Maintained

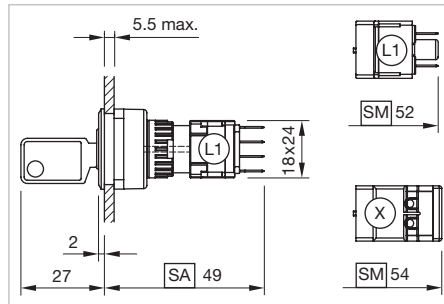
61 Flush design



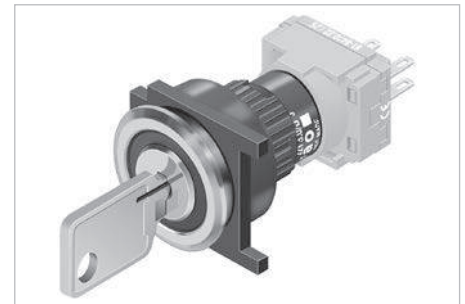
Keylock switch 3 positions round, IP 65

Equipment consisting of (schematic overview)

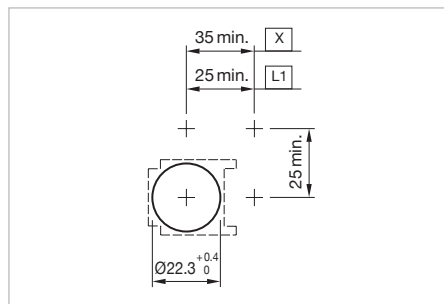
-  **Key**
-  **Keylock front bezel** *page 59*
-  **Actuator**
-  **Front bezel set** *page 64*
-  **Fixing nut**
-  **Switching element** *page 75*



Dimensions [mm]
 L1 = Solder/Plug-in terminal 2.8 x 0.5 mm,
 SA = Snap-action switching element,
 SA = Slow-make switching element,
 X = Screw terminal



Product can differ from the current configuration.



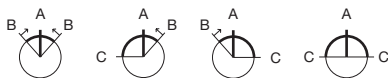
Mounting cut-outs [mm]
 L1 = Solder/Plug-in terminal 2.8 x 0.5 mm,
 X = Screw terminal

Additional Information


- For front dimension Ø 25 mm
- Standard lock: DOM 311
- Two keys are supplied with each key lock switch
- Optional lock numbers on request

Each Part Number listed below includes all the black components shown in the 3D-drawing.

To obtain a complete unit, please select the red components from the pages shown.

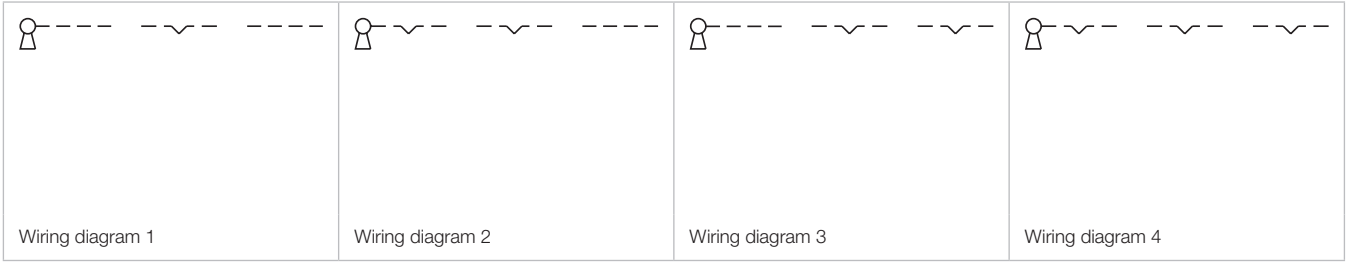


Switching positions (A = Rest, B = Momentary, C = Maintained)

Switching action	Switching angle	Key remove	Part No.	Wiring diagram	Weight
 Keylock switch actuator 3 positions round					
B - A - B	B = 42° / 42°	A	61-2501.0/D	1	0.065 kg
C - A - B	C = 90°, B = 42°	A	61-2801.0/D	2	0.065 kg
		C	61-2802.0/D	2	0.065 kg
		C + A	61-2804.0/D	2	0.065 kg
		C + A + C	61-2805.0/D	2	0.065 kg
B - A - C	B = 42°, C = 90°	A	61-2701.0/D	3	0.065 kg
C - A - C	C = 90° / 90°	A + C	61-2705.0/D	3	0.065 kg
		A	61-2601.0/D	4	0.065 kg
		C - -	61-2602.0/D	4	0.065 kg
		- - C	61-2603.0/D	4	0.065 kg
		C + A	61-2604.0/D	4	0.065 kg
		A + C	61-2605.0/D	4	0.065 kg
		C + C	61-2606.0/D	4	0.065 kg
		C + A + C	61-2607.0/D	4	0.065 kg





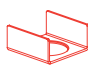

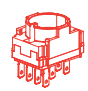
Switching positions A = Rest, B = Momentary, C = Maintained

61 Flush design



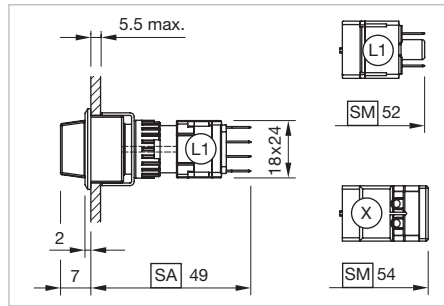
Selector switch 2 positions square, IP 65

Equipment consisting of (schematic overview)

-  **Lever** page 60
-  **LED** page 80
-  **Actuator**
-  **Front bezel set** page 65
-  **Front bezel set** page 65
-  **Fixing nut**
-  **Switching element** page 73

Each Part Number listed below includes all the black components shown in the 3D-drawing.

To obtain a complete unit, please select the red components from the pages shown.



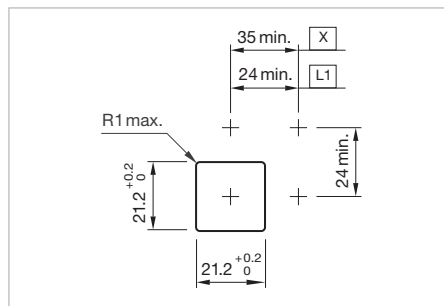
Dimensions [mm]
 L1 = Solder/Plug-in terminal 2.8 x 0.5 mm,
 SA = Snap-action switching element,
 SA = Slow-make switching element,
 X = Screw terminal



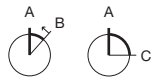
Product can differ from the current configuration.

Additional Information


- For front dimension 24 x 24 mm
- illuminative



Mounting cut-outs [mm]
 L1 = Solder/Plug-in terminal 2.8 x 0.5 mm,
 X = Screw terminal



Switching positions (A = Rest, B = Momentary, C = Maintained)

Switching action	Switching angle	Part No.	Wiring diagram	Weight
				
Selector switch actuator 2 positions square				
A - B	B = 42°	61-4110.0	1	0.006 kg
A - C	C = 90°	61-4210.0	2	0.006 kg

Switching positions A = Rest, B = Momentary, C = Maintained

