



Chipsmall Limited consists of a professional team with an average of over 10 year of expertise in the distribution of electronic components. Based in Hongkong, we have already established firm and mutual-benefit business relationships with customers from,Europe,America and south Asia,supplying obsolete and hard-to-find components to meet their specific needs.

With the principle of “Quality Parts,Customers Priority,Honest Operation,and Considerate Service”,our business mainly focus on the distribution of electronic components. Line cards we deal with include Microchip,ALPS,ROHM,Xilinx,Pulse,ON,Everlight and Freescale. Main products comprise IC,Modules,Potentiometer,IC Socket,Relay,Connector.Our parts cover such applications as commercial,industrial, and automotives areas.

We are looking forward to setting up business relationship with you and hope to provide you with the best service and solution. Let us make a better world for our industry!



Contact us

Tel: +86-755-8981 8866 Fax: +86-755-8427 6832

Email & Skype: info@chipsmall.com Web: www.chipsmall.com

Address: A1208, Overseas Decoration Building, #122 Zhenhua RD., Futian, Shenzhen, China



THIS DRAWING IS UNPUBLISHED. RELEASED FOR PUBLICATION 20
 © COPYRIGHT 20 BY TYCO ELECTRONICS CORPORATION. ALL RIGHTS RESERVED.

LOC	DIST	REVISIONS			
P	LTR	DESCRIPTION	DATE	DWN	APVD
ES	00				
	A	ECR-09-014979	02JUL2009	AL	SY
	B	ECO-11-005032	11MAR2011	JY	CW

HEAT SINK CLIP
 MAT'L: COPPER ALLOY
 FINISH: TIN

INTERMEDIATE REAR EMI GASKET
 MAT'L: COPPER ALLOY
 FINISH: TIN

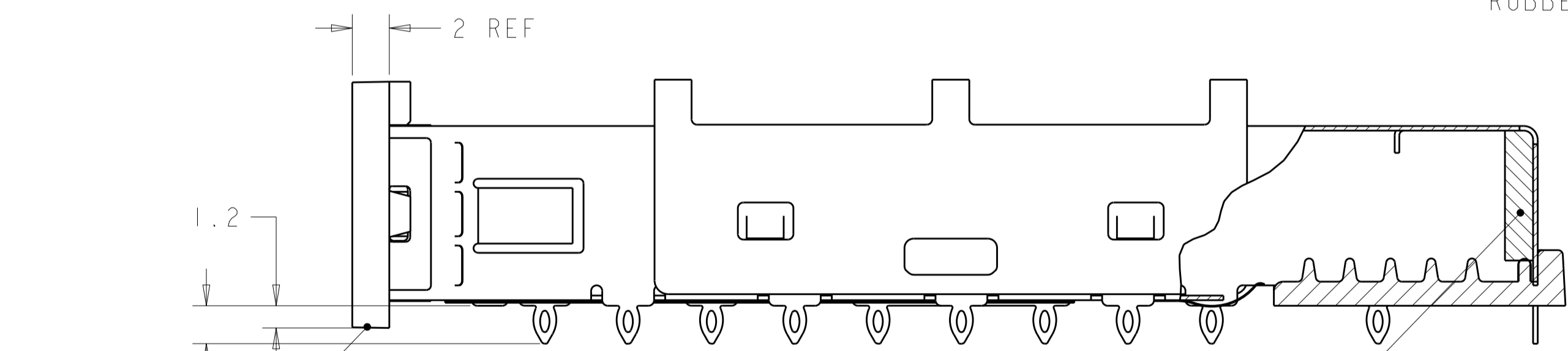
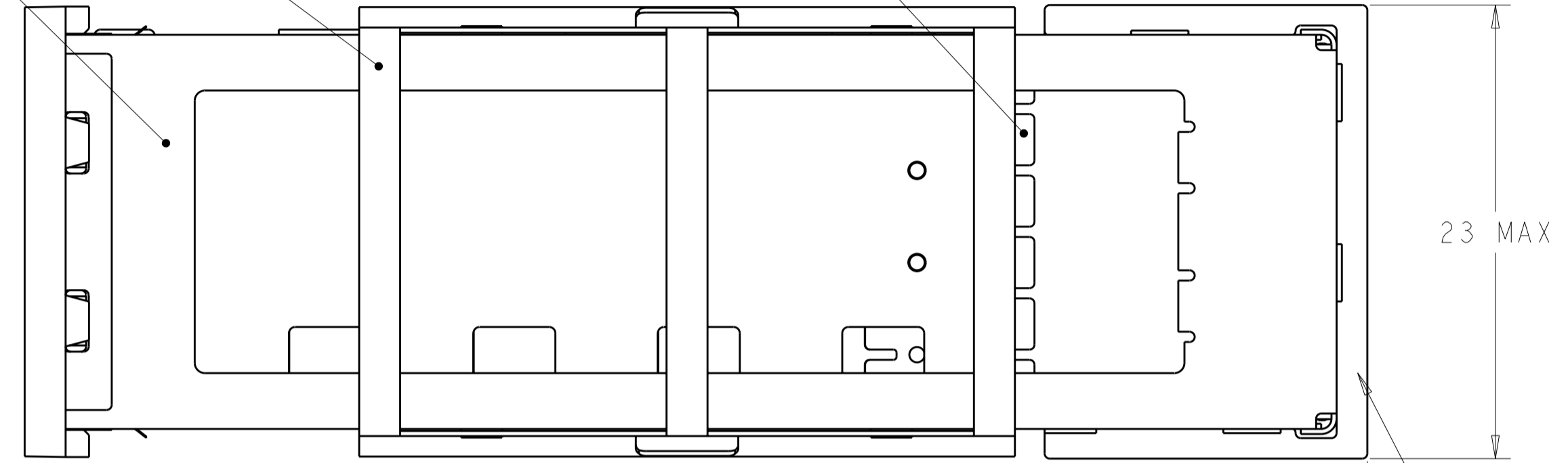
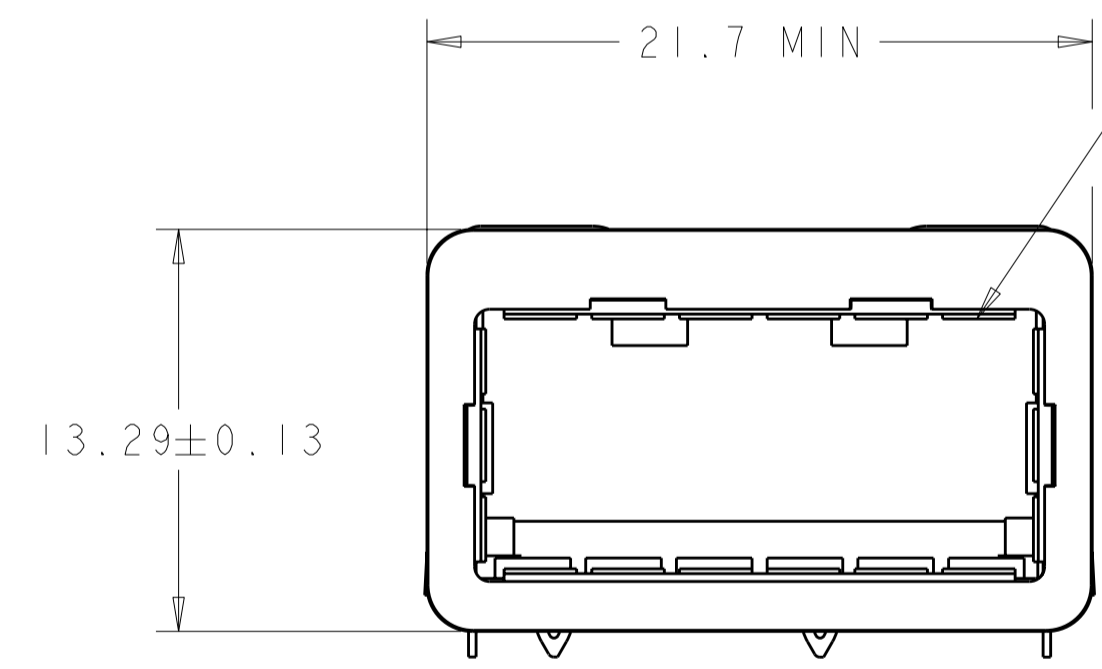
XFP CAGE
 MAT'L: COPPER ALLOY
 FINISH: TIN

FRONT EMI GASKET
 MAT'L: COPPER ALLOY
 FINISH: TIN

ELASTOMERIC GASKET
 MAT'L: CONDUCTIVE
 RUBBER

XFP CAGE REAR EMI GASKET
 MAT'L: CONDUCTIVE FOAM

FRONT FLANGE
 MAT'L: ZINC ALLOY
 FINISH: TIN
 OVER NICKEL AND
 COPPER FLASH



<small>THIS DRAWING IS A CONTROLLED DOCUMENT FOR TYCO ELECTRONICS CORPORATION IT IS SUBJECT TO CHANGE AND THE CONTROLLING ENGINEERING ORGANIZATION SHOULD BE CONTACTED FOR THE LATEST REVISION.</small>		DWN ADAMS LV 29JUN2009 CHK MARTIN LI 29JUN2009 APVD STEVEN YAO 29JUN2009	Tyco Electronics Shanghai China
DIMENSIONS: mm	TOLERANCES UNLESS OTHERWISE SPECIFIED: 0 PLC ±- 1 PLC ±0.1 2 PLC ±0.05 3 PLC ±- 4 PLC ±- ANGLES ±- FINISH	PRODUCT SPEC 108-2127 APPLICATION SPEC 114-13096 WEIGHT - CUSTOMER DRAWING	NAME ASSEMBLY, XFP CAGE WITH INSULATING TAPE AND CLIP SIZE A200779 CAGE CODE C-1932093 DRAWING NO 1932093 RESTRICTED TO -
SCALE 1:1		SHEET 1 OF 4 REV B	

4

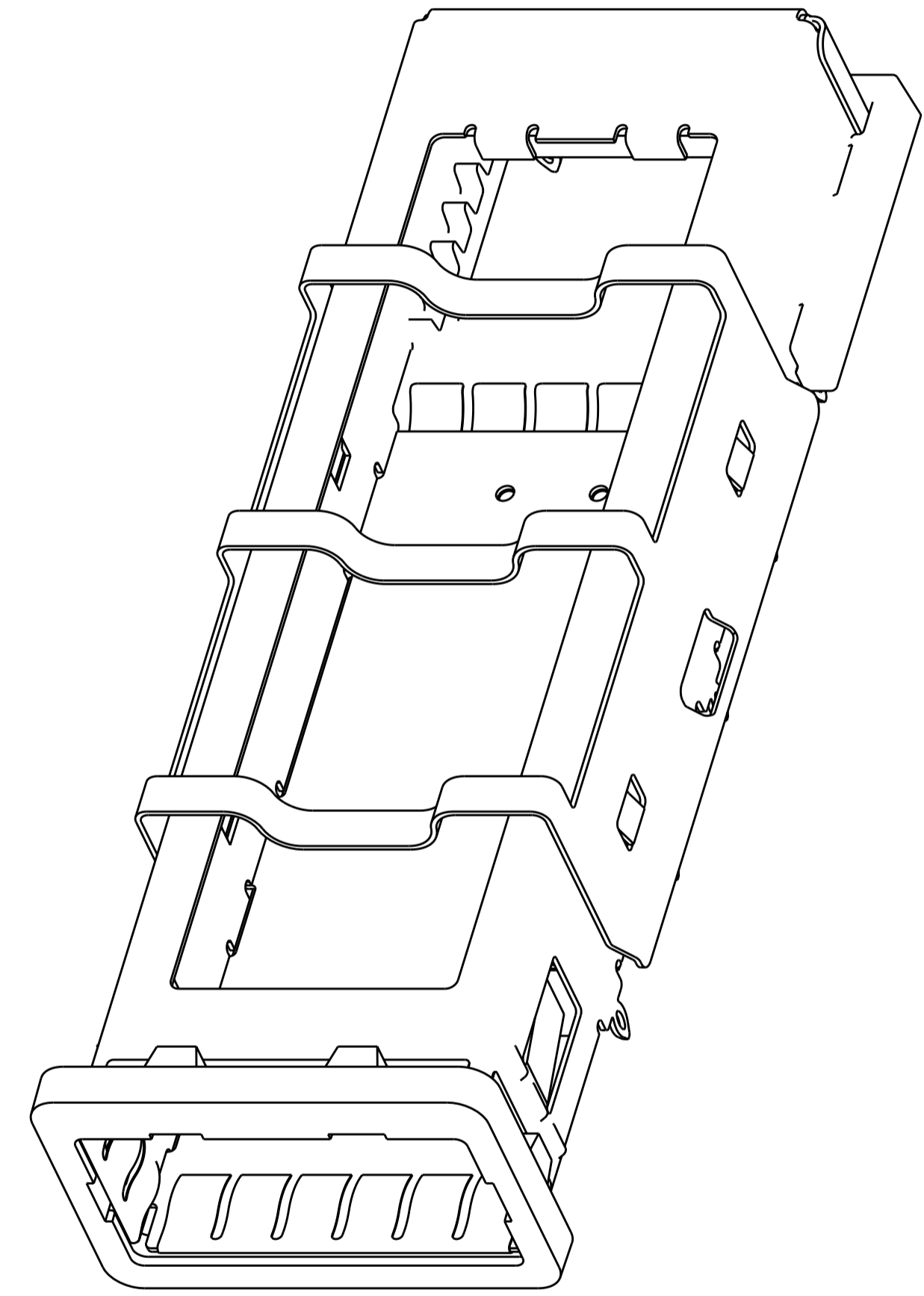
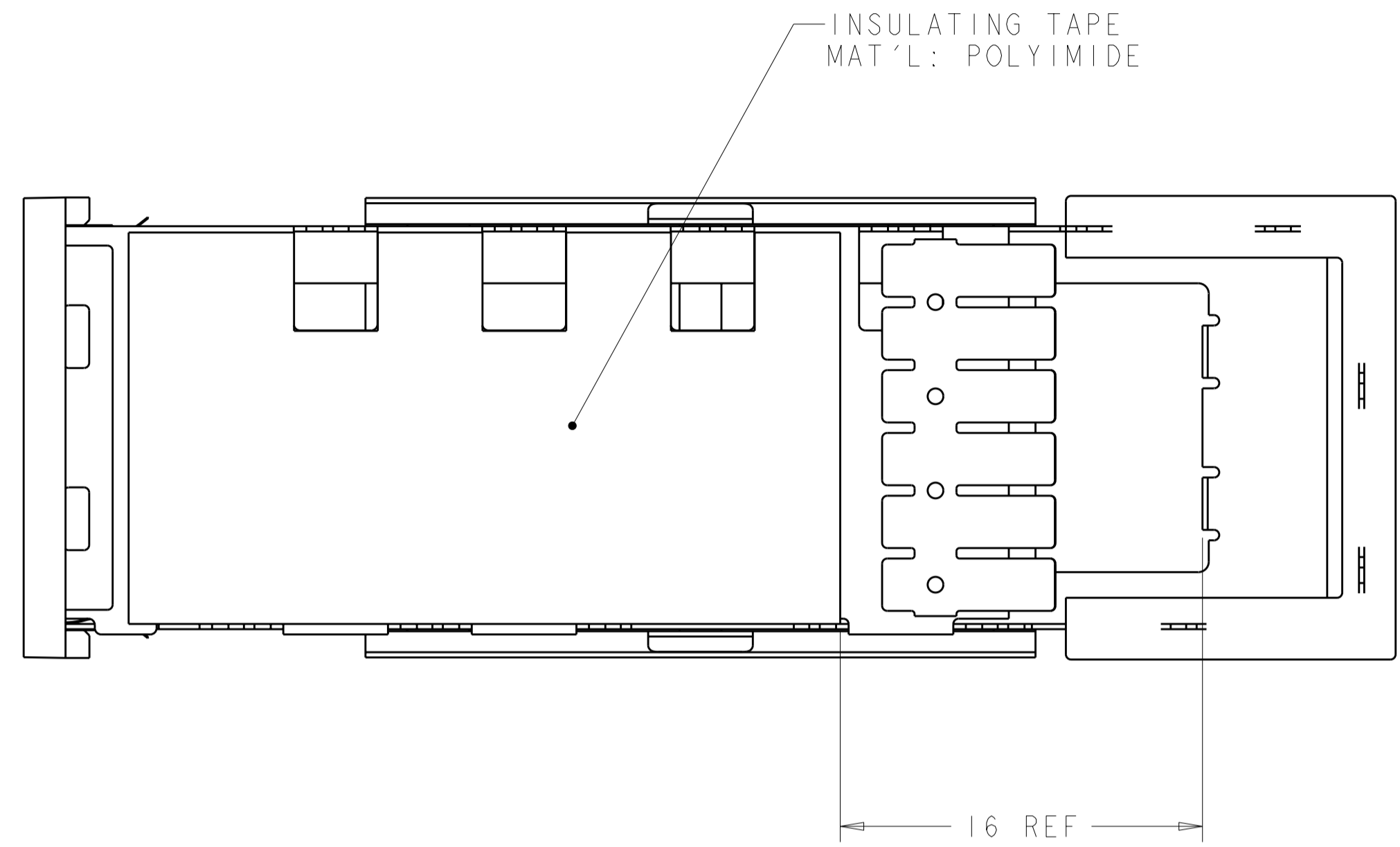
3

2

1

THIS DRAWING IS UNPUBLISHED. RELEASED FOR PUBLICATION 20
 © COPYRIGHT 20 BY TYCO ELECTRONICS CORPORATION. ALL RIGHTS RESERVED.

LOC	DIST	REVISIONS			
P	LTR	DESCRIPTION	DATE	DWN	APVD
ES	00	-	SEE SHEET 1	-	-

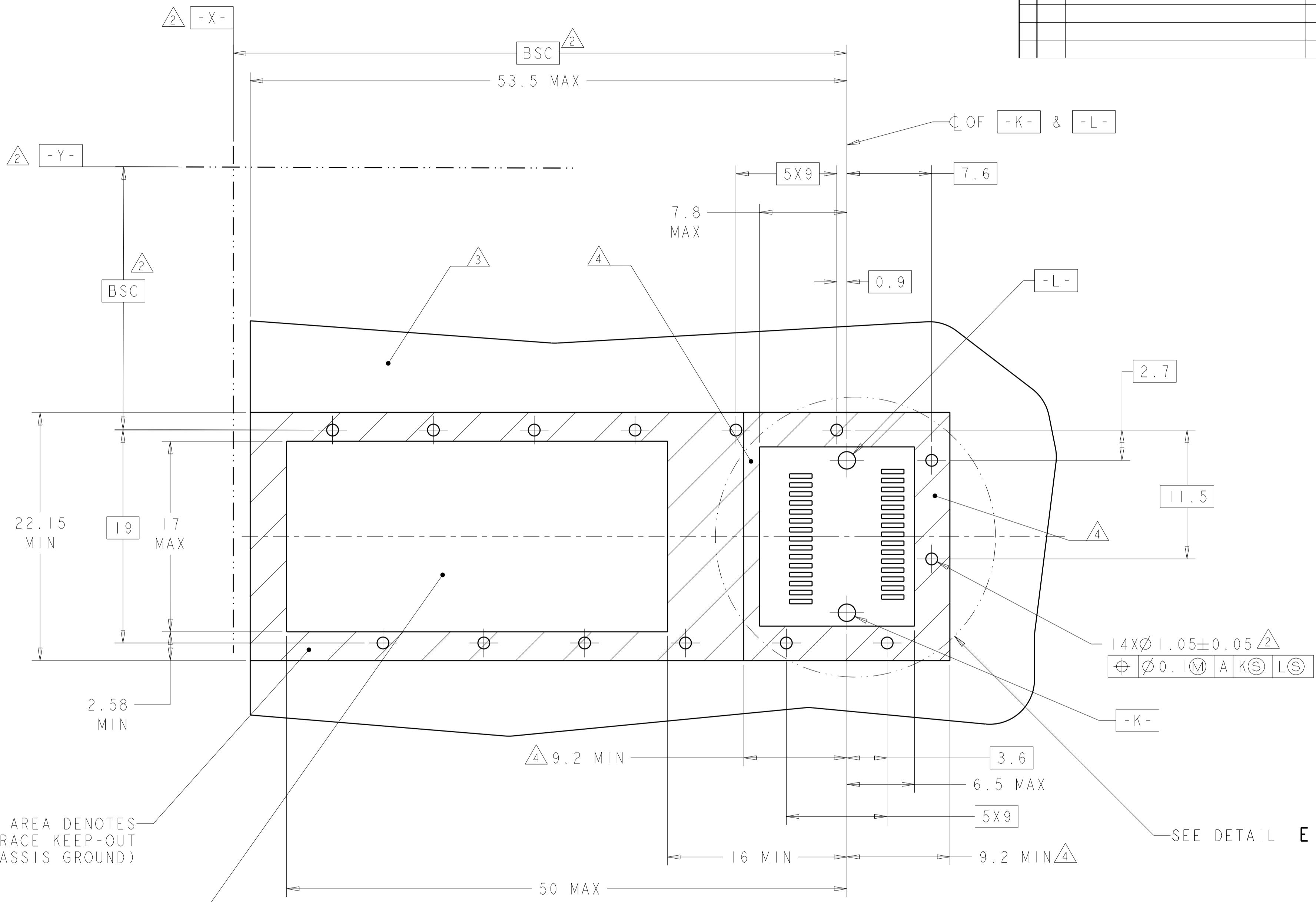


- 1 MATES WITH XFP-MSA COMPLIANT TRANSCEIVERS.
- 2 DATUM -X- AND -Y- ESTABLISHED BY CUSTOMER.
- 3 DATUM -X- IS TOP SURFACE OF HOST BOARD.
- 4 INDICATED SURFACES TO BE CONDUCTIVE AND CONNECTED TO CHASSIS GROUND.

<small>THIS DRAWING IS A CONTROLLED DOCUMENT FOR TYCO ELECTRONICS CORPORATION IT IS SUBJECT TO CHANGE AND THE CONTROLLING ENGINEERING ORGANIZATION SHOULD BE CONTACTED FOR THE LATEST REVISION.</small>		DWN 29 JUN 2009 ADAMS LV CHK 29 JUN 2009 MARTIN LI APVD 29 JUN 2009 STEVEN YAO	Tyco Electronics Tyco Electronics Shanghai China
DIMENSIONS: mm 	TOLERANCES UNLESS OTHERWISE SPECIFIED: 0 PLC ± 1 PLC ±0.1 2 PLC ±0.05 3 PLC ± 4 PLC ± ANGLES ± FINISH	PRODUCT SPEC 108-2127 APPLICATION SPEC 114-13096 WEIGHT - CUSTOMER DRAWING	NAME ASSEMBLY, XFP CAGE WITH INSULATING TAPE AND CLIP SIZE CAGE CODE DRAWING NO RESTRICTED TO A200779 C-1932093 - SCALE 1:1 SHEET 2 OF 4 REV B

THIS DRAWING IS UNPUBLISHED. RELEASED FOR PUBLICATION 20
 © COPYRIGHT 20 BY TYCO ELECTRONICS CORPORATION. ALL RIGHTS RESERVED.

LOC	DIST	REVISIONS			
P	LTR	DESCRIPTION	DATE	DWN	APVD
ES	00	SEE SHEET 1			



CROSS-HATCHED AREA DENOTES COMPONENT AND TRACE KEEP-OUT (EXCEPT CHASSIS GROUND)

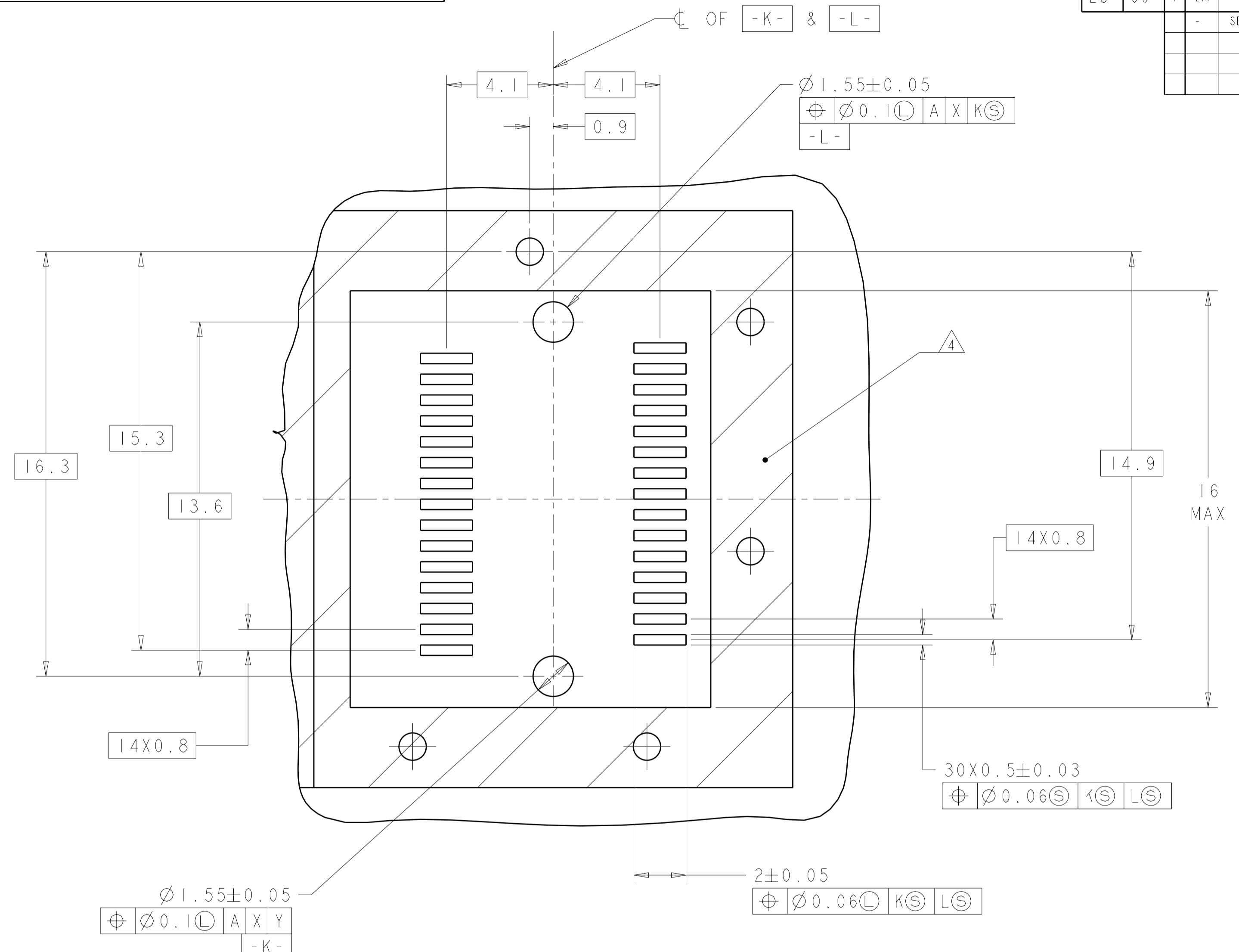
THIS AREA DENOTES COMPONENT KEEP-OUT (TRACES & VIAS ALLOWED)

DETAILED HOST BOARD MECHANICAL LAYOUT

<small>THIS DRAWING IS A CONTROLLED DOCUMENT FOR TYCO ELECTRONICS CORPORATION. IT IS SUBJECT TO CHANGE AND THE CONTROLLING ENGINEERING ORGANIZATION SHOULD BE CONTACTED FOR THE LATEST REVISION.</small>		DWN ADAMS LV 29 JUN 2009 CHK MARTIN LI 29 JUN 2009 APVD STEVEN YAO 29 JUN 2009	Tyco Electronics Tyco Electronics Shanghai China
DIMENSIONS: mm 		PRODUCT SPEC 108-2127 APPLICATION SPEC 114-13096 WEIGHT -	NAME ASSEMBLY, XFP CAGE WITH INSULATING TAPE AND CLIP SIZE A200779 CAGE CODE C-1932093 DRAWING NO - RESTRICTED TO -
TOLERANCES UNLESS OTHERWISE SPECIFIED: 0 PLC ± 1 PLC ±0.1 2 PLC ±0.05 3 PLC ± 4 PLC ± ANGLES ± FINISH ±		CUSTOMER DRAWING	SCALE 1:1 SHEET 3 OF 4 REV B

THIS DRAWING IS UNPUBLISHED. RELEASED FOR PUBLICATION 20
 © COPYRIGHT 20 BY TYCO ELECTRONICS CORPORATION. ALL RIGHTS RESERVED.

LOC	DIST	REVISIONS					
ES	00	P	LTR	DESCRIPTION	DATE	DWN	APVD
		-		SEE SHEET 1			



DETAIL E
 SCALE 8:1

DETAILED HOST BOARD MECHANICAL LAYOUT

<small>THIS DRAWING IS A CONTROLLED DOCUMENT FOR TYCO ELECTRONICS CORPORATION. IT IS SUBJECT TO CHANGE AND THE CONTROLLING ENGINEERING ORGANIZATION SHOULD BE CONTACTED FOR THE LATEST REVISION.</small>		DWN ADAMS LV 29 JUN 2009 CHK MARTIN LI 29 JUN 2009 APVD STEVEN YAO 29 JUN 2009	Tyco Electronics Tyco Electronics Shanghai China
DIMENSIONS: mm 	TOLERANCES UNLESS OTHERWISE SPECIFIED: 0 PLC ± 1 PLC ±0.1 2 PLC ±0.05 3 PLC ± 4 PLC ± ANGLES ± FINISH ±	PRODUCT SPEC 108-2127 APPLICATION SPEC 114-13096 WEIGHT -	NAME ASSEMBLY, XFP CAGE WITH INSULATING TAPE AND CLIP SIZE A200779 CAGE CODE C-1932093 DRAWING NO 114-13096 RESTRICTED TO -
MATERIAL -		CUSTOMER DRAWING	
		SCALE 1:1	SHEET 4 OF 4 REV B