



Chipsmall Limited consists of a professional team with an average of over 10 year of expertise in the distribution of electronic components. Based in Hongkong, we have already established firm and mutual-benefit business relationships with customers from,Europe,America and south Asia,supplying obsolete and hard-to-find components to meet their specific needs.

With the principle of "Quality Parts,Customers Priority,Honest Operation,and Considerate Service",our business mainly focus on the distribution of electronic components. Line cards we deal with include Microchip,ALPS,ROHM,Xilinx,Pulse,ON,Everlight and Freescale. Main products comprise IC,Modules,Potentiometer,IC Socket,Relay,Connector.Our parts cover such applications as commercial,industrial, and automotives areas.

We are looking forward to setting up business relationship with you and hope to provide you with the best service and solution. Let us make a better world for our industry!



Contact us

Tel: +86-755-8981 8866 Fax: +86-755-8427 6832

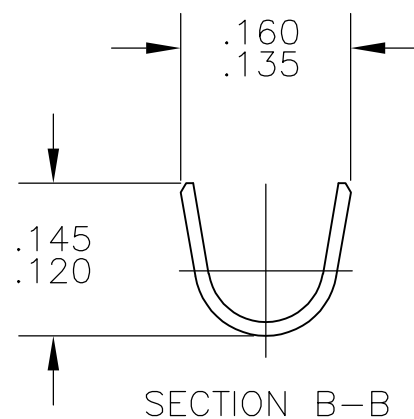
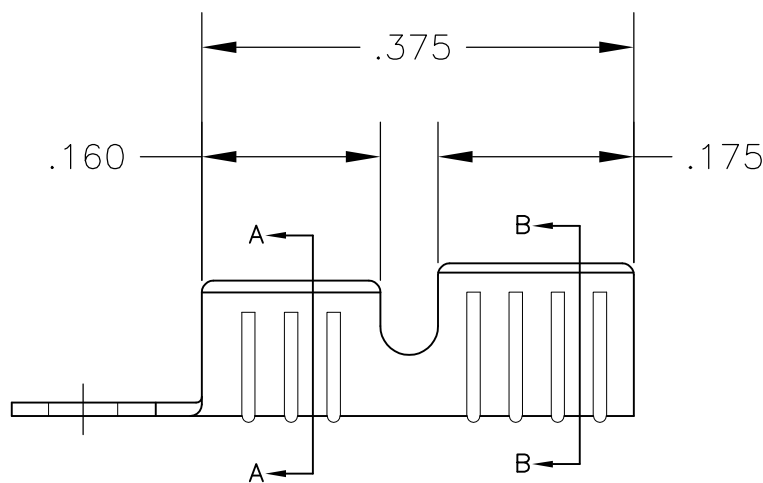
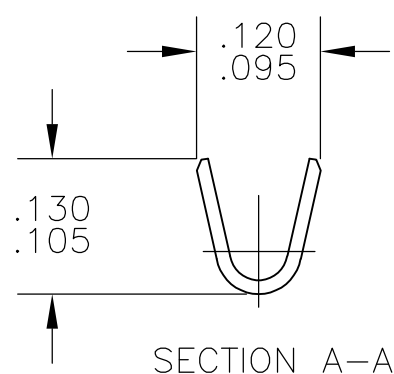
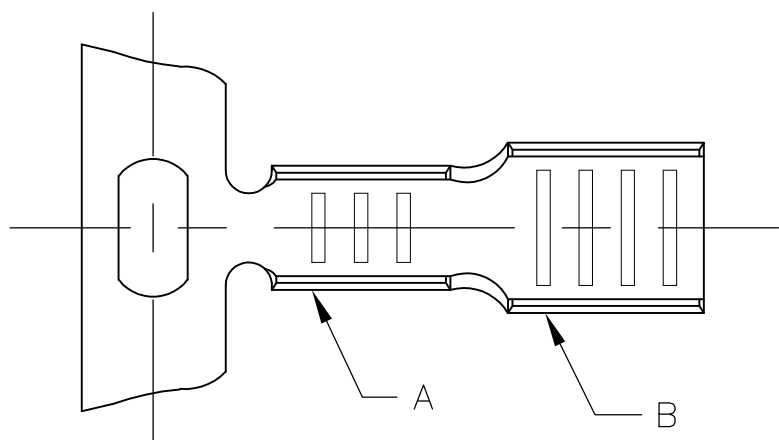
Email & Skype: info@chipsmall.com Web: www.chipsmall.com

Address: A1208, Overseas Decoration Building, #122 Zhenhua RD., Futian, Shenzhen, China



THIS DRAWING IS UNPUBLISHED. RELEASED FOR PUBLICATION
 © COPYRIGHT - BY TYCO ELECTRONICS CORPORATION. ALL RIGHTS RESERVED.

LOC	DIST	REVISIONS					
AF	50	P	LTR	DESCRIPTION	DATE	DWN	APVD
			H5	REVISED PER ECR-07-031129	28DEC07	HMR	GP



- 1 PRODUCT PROVIDED IN STRIP FORM REEL, BREAKS MAY BE PRESENT
- 2 REELING DIRECTION FOR THRU OR BUTT TYPE SPLICE APPLICATOR
- 3 REELING DIRECTION FOR PIGTAIL TYPE SPLICE APPLICATOR
- 4 WIRE RANGE BARREL A: 975-2700 CMA
INSULATION RANGE BARREL B: .080 - .115 DIA
- 5 REF. CRIMP INFO:
BARREL A - .080 "F"
BARREL B - .120 "O"
- 6 PRELIMINARY - NOT FOR PRODUCTION.

2	18 - 16	.100 DIA	.012 ST STEEL - NONE	6 61021-4
4 3	-	-	.012 STEEL - NICKEL	61021-3
2	OBSOLETE 18 - 16	.100 DIA	.012 BRASS - NONE	61021-2
2	18 - 16	.100 DIA	.012 STEEL - NICKEL	61021-1
	WIRE SIZE AWG BARREL "A"	WIRE SIZE HEATER WIRE BARREL "B"	MATERIAL AND FINISH	PART NO

THIS DRAWING IS A CONTROLLED DOCUMENT.		DWN RAGHAVENDRA 21NOV2006	Tyco Electronics Corporation Harrisburg, PA 17105-3608	
DIMENSIONS: INCHES	TOLERANCES UNLESS OTHERWISE SPECIFIED:	CHK G.D.PORTA	NAME	
	0 PLC ± -	APVD G.D.PORTA	SPLICE	
	1 PLC ± -	PRODUCT SPEC		
MATERIAL SEE TABLE	FINISH SEE TABLE	APPLICATION SPEC	SIZE A3	CAGE CODE 00779
		WEIGHT -	DRAWING NO G-61021	RESTRICTED TO -
CUSTOMER DRAWING			SCALE 6:1	SHEET 1 OF 1
			REV H5	