



Chipsmall Limited consists of a professional team with an average of over 10 year of expertise in the distribution of electronic components. Based in Hongkong, we have already established firm and mutual-benefit business relationships with customers from,Europe,America and south Asia,supplying obsolete and hard-to-find components to meet their specific needs.

With the principle of “Quality Parts,Customers Priority,Honest Operation,and Considerate Service”,our business mainly focus on the distribution of electronic components. Line cards we deal with include Microchip,ALPS,ROHM,Xilinx,Pulse,ON,Everlight and Freescale. Main products comprise IC,Modules,Potentiometer,IC Socket,Relay,Connector.Our parts cover such applications as commercial,industrial, and automotives areas.

We are looking forward to setting up business relationship with you and hope to provide you with the best service and solution. Let us make a better world for our industry!



## Contact us

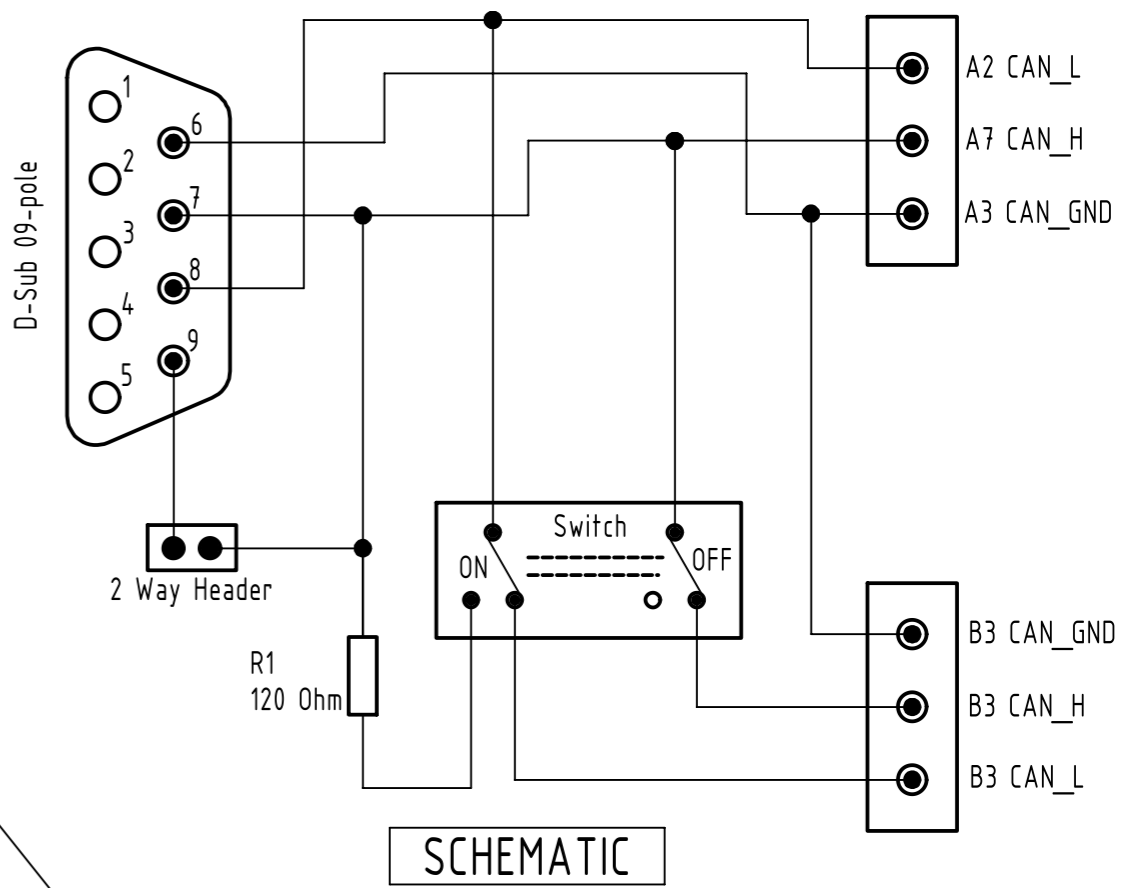
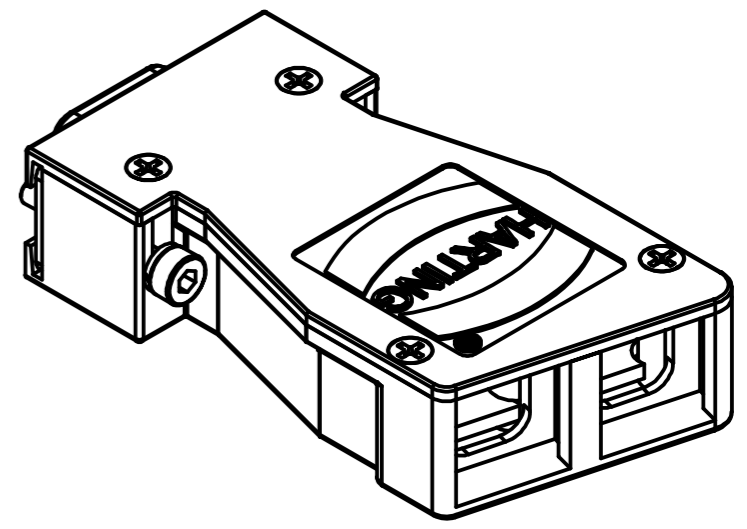
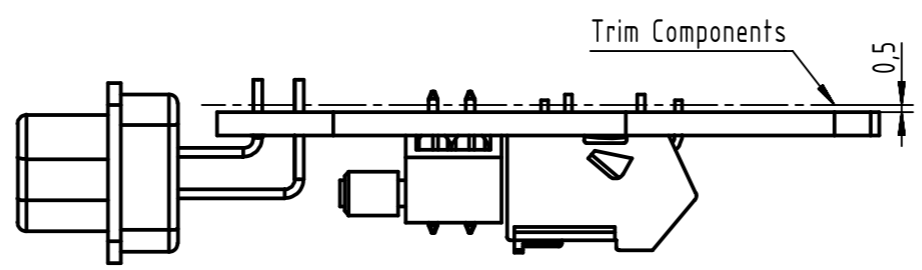
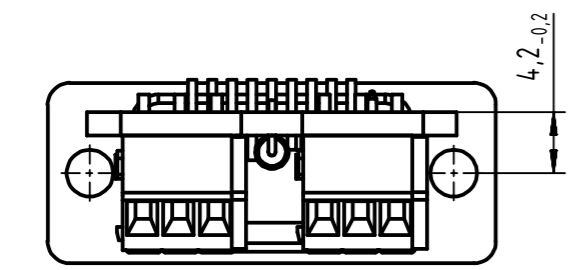
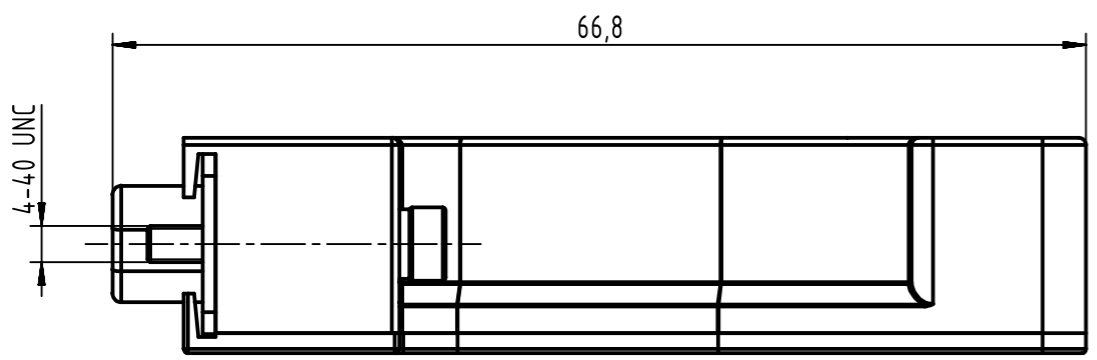
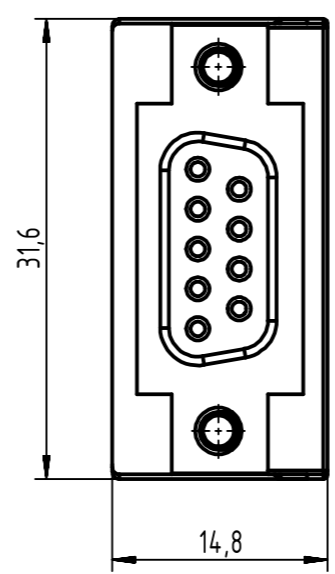
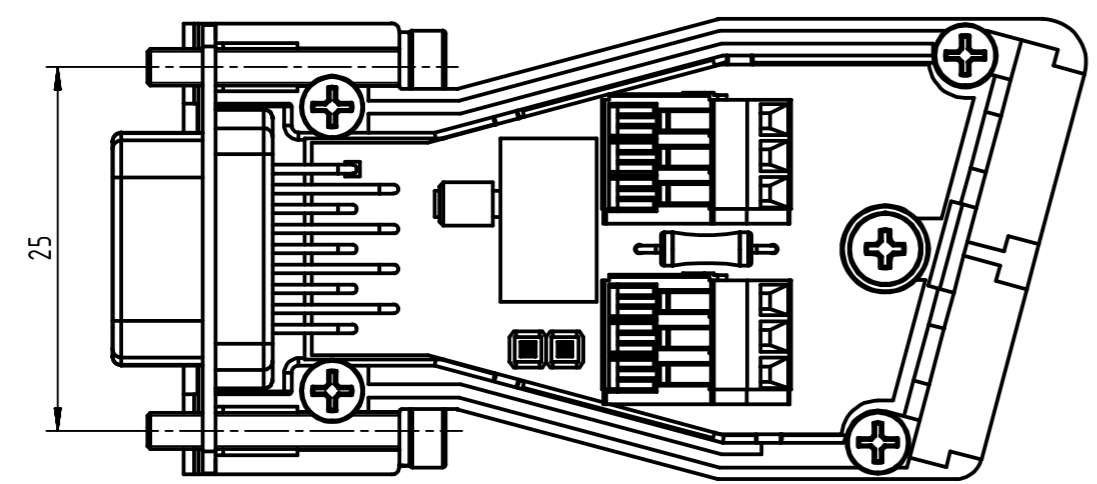
Tel: +86-755-8981 8866 Fax: +86-755-8427 6832

Email & Skype: info@chipsmall.com Web: www.chipsmall.com

Address: A1208, Overseas Decoration Building, #122 Zhenhua RD., Futian, Shenzhen, China



Cover not shown for clarity



6103 000 0042	Blanking piece for metal hood ( 1 off )
6103 000 0067	Crimp Flange 6,0-7,0 mm ( 2 off )
6103 000 0055	Crimp Ferrule 10-11mm ( 2 off )
Part number	Accessories kit

	All rights reserved		Created by ZHUANGJ		Inspected by LUOK		Standardisation KOHLER		Date 2017-03-28		State Final Release	
	Department EC PD - CN		Title InduCom 9 female CAN 4-40 UNC		Type TB		Number 66630096069		Doc-Key / ECM-Nr. 100719802/UGD/000/A 500000117309		Rev. A	Page 1/1
		All Dimensions in mm Original Size DIN A3		Scale 2:1		Free size tol.		Ref.		Sub.		
HARTING Electronics GmbH		D-32339 Espelkamp										