



Chipsmall Limited consists of a professional team with an average of over 10 year of expertise in the distribution of electronic components. Based in Hongkong, we have already established firm and mutual-benefit business relationships with customers from,Europe,America and south Asia,supplying obsolete and hard-to-find components to meet their specific needs.

With the principle of "Quality Parts,Customers Priority,Honest Operation,and Considerate Service",our business mainly focus on the distribution of electronic components. Line cards we deal with include Microchip,ALPS,ROHM,Xilinx,Pulse,ON,Everlight and Freescale. Main products comprise IC,Modules,Potentiometer,IC Socket,Relay,Connector.Our parts cover such applications as commercial,industrial, and automotives areas.

We are looking forward to setting up business relationship with you and hope to provide you with the best service and solution. Let us make a better world for our industry!



## Contact us

Tel: +86-755-8981 8866 Fax: +86-755-8427 6832

Email & Skype: info@chipsmall.com Web: www.chipsmall.com

Address: A1208, Overseas Decoration Building, #122 Zhenhua RD., Futian, Shenzhen, China

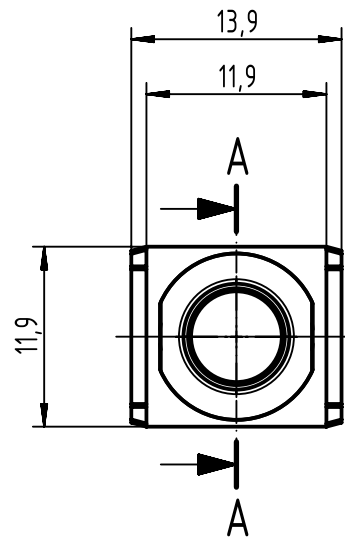


A

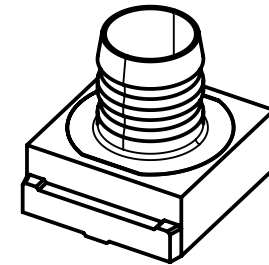
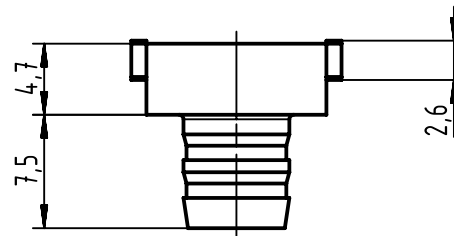
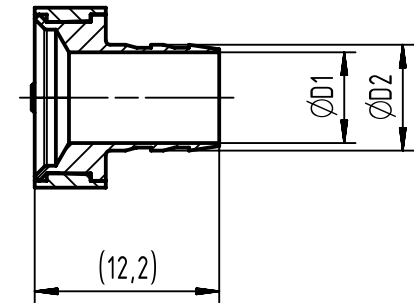
B

C

D



A-A



61 03 000 0072	9	10
61 03 000 0165	8,5	9,5
61 03 000 0071	8	9
61 03 000 0070	7,5	8,5
61 03 000 0069	7	8
61 03 000 0068	6,5	7,5
61 03 000 0067	6	7
61 03 000 0166	5,5	6,5
61 03 000 0066	5	6
61 03 000 0065	4,5	5,5
61 03 000 0064	4	5
61 03 000 0063	3,5	4,5
61 03 000 0062	3	4
Part number	ØD1	ØD2



All Dimensions in mm  
Original Size DIN A4

Scale  
2:1

Free size tol.

Ref.

Sub.



All rights reserved

Department EC PD - CN

Created by  
ZENG D

Inspected by  
LUOK

Standardisation  
SCHREIER

Date  
2015-10-16

State  
Final Release

Title  
InduCom crimp flange

Doc-Key / ECM-Nr.  
100075770/UGD/001/B  
500000094.787

Type  
TB

Number  
61030000ZZZ

Rev.  
B

Page  
1/1

HARTING Electronics GmbH

D-32339 Espelkamp