



Chipsmall Limited consists of a professional team with an average of over 10 year of expertise in the distribution of electronic components. Based in Hongkong, we have already established firm and mutual-benefit business relationships with customers from,Europe,America and south Asia,supplying obsolete and hard-to-find components to meet their specific needs.

With the principle of “Quality Parts,Customers Priority,Honest Operation,and Considerate Service”,our business mainly focus on the distribution of electronic components. Line cards we deal with include Microchip,ALPS,ROHM,Xilinx,Pulse,ON,Everlight and Freescale. Main products comprise IC,Modules,Potentiometer,IC Socket,Relay,Connector.Our parts cover such applications as commercial,industrial, and automotives areas.

We are looking forward to setting up business relationship with you and hope to provide you with the best service and solution. Let us make a better world for our industry!



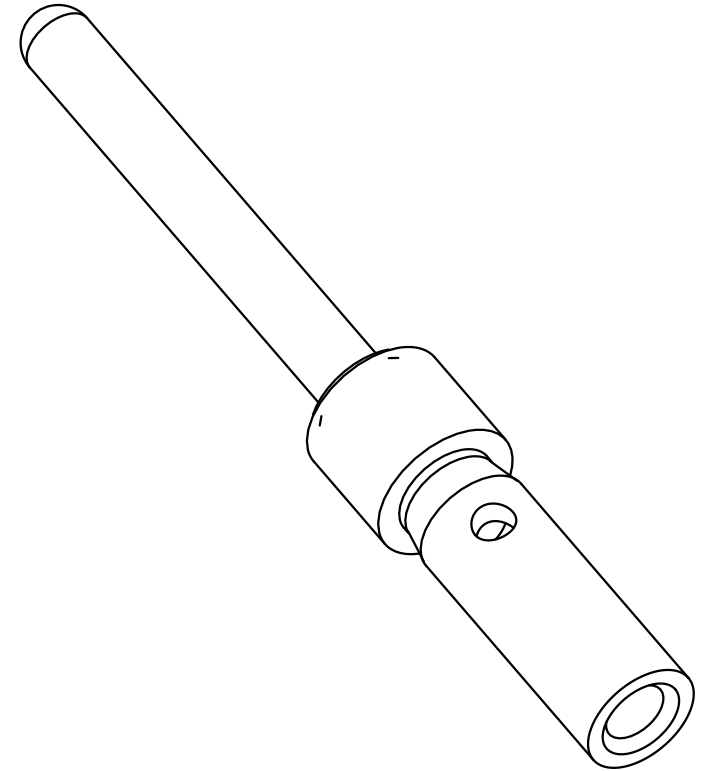
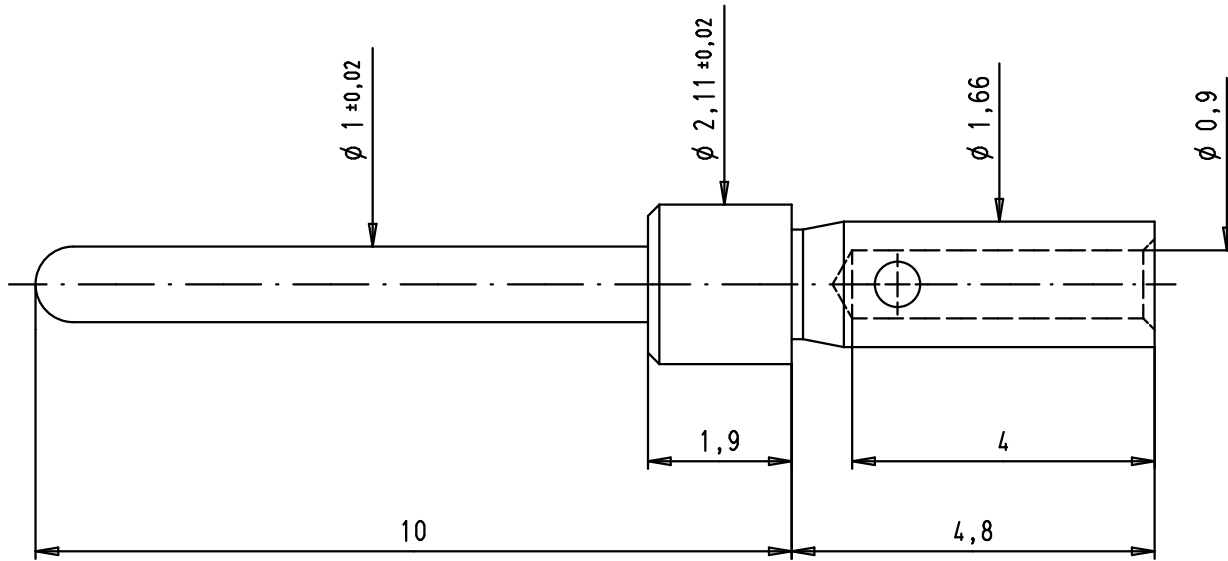
## Contact us

Tel: +86-755-8981 8866 Fax: +86-755-8427 6832

Email & Skype: info@chipsmall.com Web: www.chipsmall.com

Address: A1208, Overseas Decoration Building, #122 Zhenhua RD., Futian, Shenzhen, China





				Dot.	Name	 All Dim. in mm Orig. Size DIN A4	Inducom Male straight turned signal contact with crimp termination for AWG 22 wires	Maßstab/ Scale
			Detail.	07/04/04	HAGE			10:1
			Insp.					
			Stand.					
35638	23/01/09	PK	HARTING EURL F-95972 Paris				TB 61 03 000 0094	Blatt/ Page
31986	07/04/04	HAGE					1	
Mod.	Dot.	Name					Sub.	1

61 03 000 0094	PL1
Part number	Performance level