



Chipsmall Limited consists of a professional team with an average of over 10 year of expertise in the distribution of electronic components. Based in Hongkong, we have already established firm and mutual-benefit business relationships with customers from,Europe,America and south Asia,supplying obsolete and hard-to-find components to meet their specific needs.

With the principle of “Quality Parts,Customers Priority,Honest Operation,and Considerate Service”,our business mainly focus on the distribution of electronic components. Line cards we deal with include Microchip,ALPS,ROHM,Xilinx,Pulse,ON,Everlight and Freescale. Main products comprise IC,Modules,Potentiometer,IC Socket,Relay,Connector.Our parts cover such applications as commercial,industrial, and automotives areas.

We are looking forward to setting up business relationship with you and hope to provide you with the best service and solution. Let us make a better world for our industry!



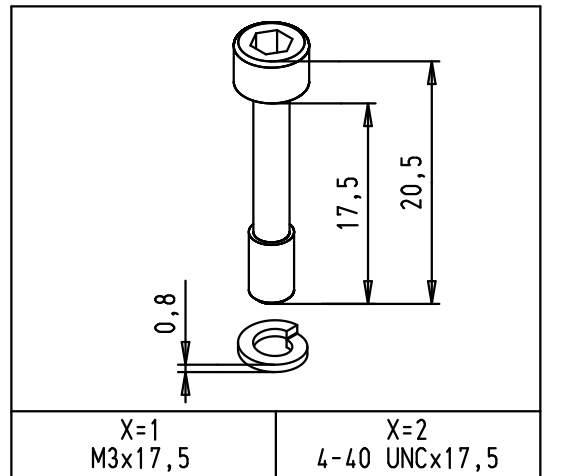
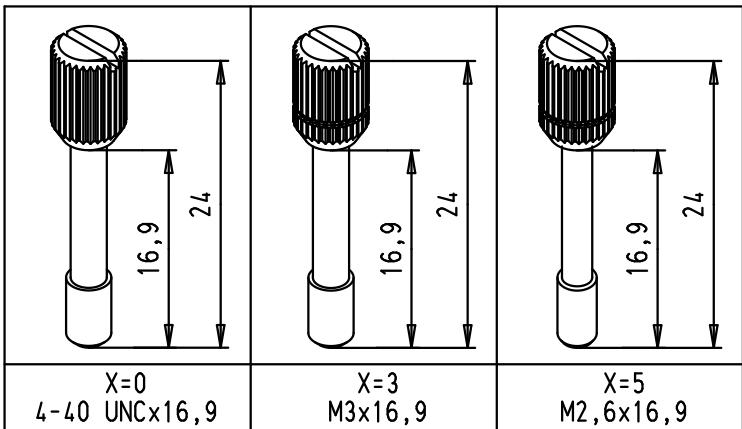
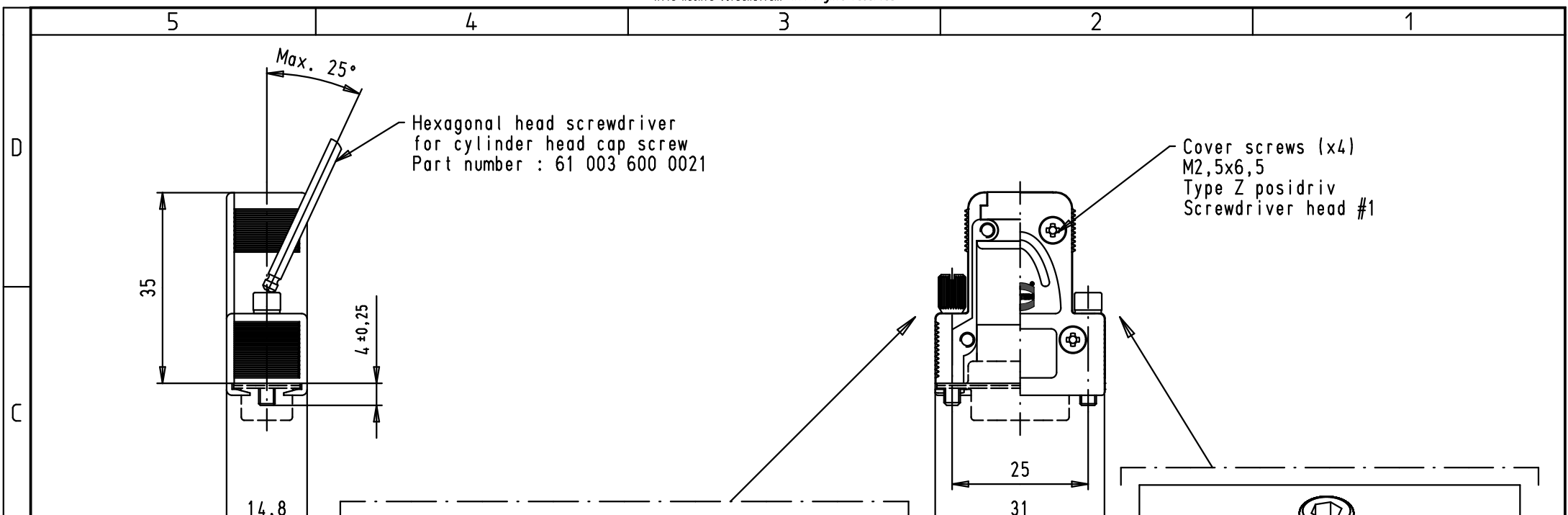
Contact us

Tel: +86-755-8981 8866 Fax: +86-755-8427 6832

Email & Skype: info@chipsmall.com Web: www.chipsmall.com

Address: A1208, Overseas Decoration Building, #122 Zhenhua RD., Futian, Shenzhen, China





NOTA :Full metal hood made with zinc diecast

								Dot.		Name		All Dim. in mm Orig. Size DIN A 4		Maßstab/ Scale	
61 03 001 X010								Detail.		14/08/03 STRAUCH		INDUCOM - 9 poles, full metal hood for D-Sub, straight cable entry		1:1	
61 03 001 5010		M2,6 x 16,9						Insp.							
61 03 001 3010		M3 x 16,9						Stand.							
61 03 001 0010		4-40 UNC x 16,9		36187		27/10/10		SC							
61 03 001 2010		Cylinder socket head cap screw with spring washer [2,6 DIN 127B]		4-40 UNC x 17,5		36163		29/09/10		SC					
61 03 001 1010		M3 x 17,5		32473		10/01/05		STRAUCH		HARTING Electronics GmbH & Co. KG D-32339 ESPELKAMP		TB 61 03 001 X010		Blatt/ Page 1 / 1	
Part number		Screw type		screw size		Mod.		Dot.		Name		Sub.			