



Chipsmall Limited consists of a professional team with an average of over 10 year of expertise in the distribution of electronic components. Based in Hongkong, we have already established firm and mutual-benefit business relationships with customers from,Europe,America and south Asia,supplying obsolete and hard-to-find components to meet their specific needs.

With the principle of “Quality Parts,Customers Priority,Honest Operation,and Considerate Service”,our business mainly focus on the distribution of electronic components. Line cards we deal with include Microchip,ALPS,ROHM,Xilinx,Pulse,ON,Everlight and Freescale. Main products comprise IC,Modules,Potentiometer,IC Socket,Relay,Connector.Our parts cover such applications as commercial,industrial, and automotives areas.

We are looking forward to setting up business relationship with you and hope to provide you with the best service and solution. Let us make a better world for our industry!



## Contact us

Tel: +86-755-8981 8866 Fax: +86-755-8427 6832

Email & Skype: info@chipsmall.com Web: www.chipsmall.com

Address: A1208, Overseas Decoration Building, #122 Zhenhua RD., Futian, Shenzhen, China



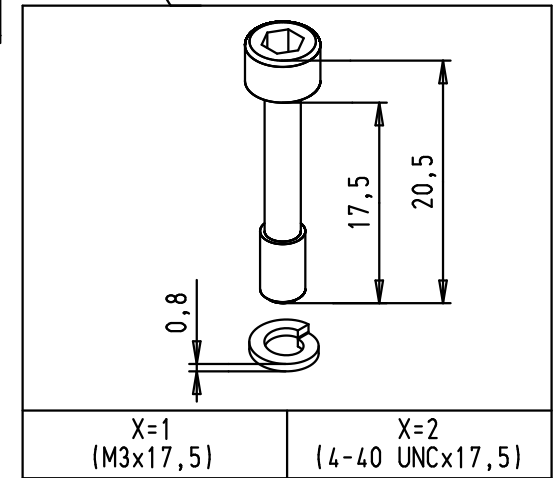
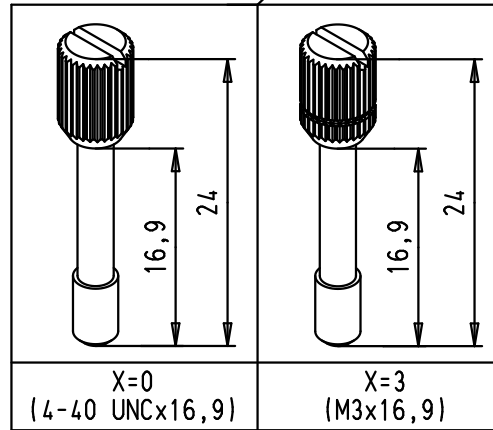
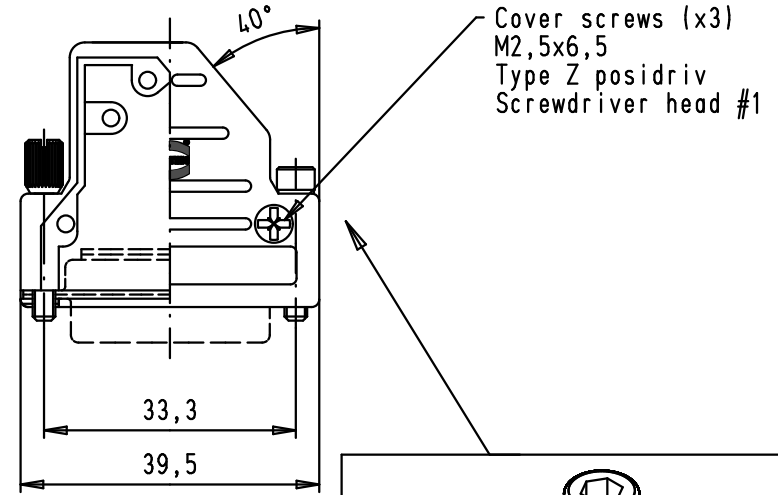
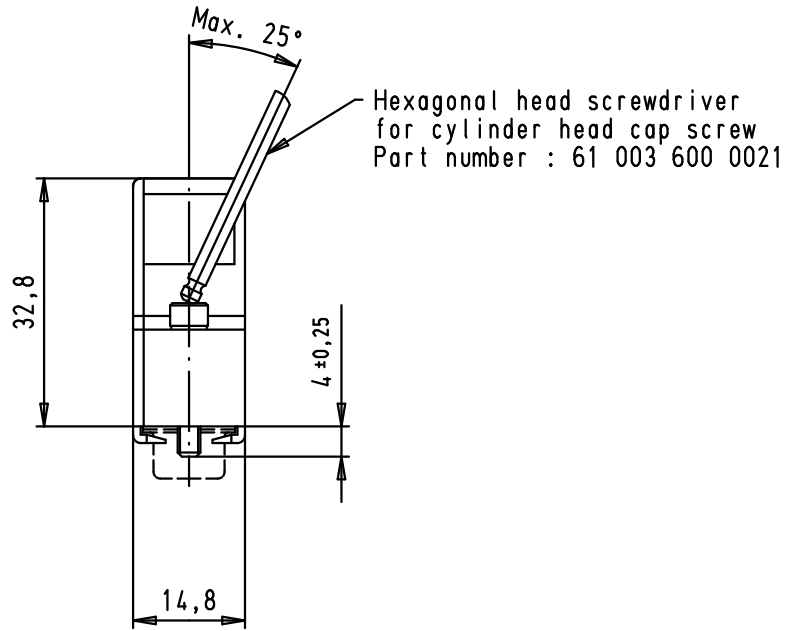
5

4

3

2

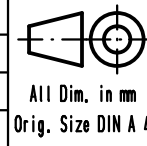
1



NOTA :Full metal hood made with zinc diecast

61 03 001 X014											
61 03 001 3014	Knurled thumb screw	M3 x 16,9									
61 03 001 0014		4-40 UNC x 16,9									
61 03 001 2014	Cylinder socket head cap screw with spring washer [2,6 DIN 127B]	4-40 UNC x 17,5	36163	29/09/10	SC						
61 03 001 1014		M3 x 17,5	32473	10/01/05	STRAUCH						
Part number	Screw type	screw size	Mod.	Dot.	Name						







HARTING Electronics GmbH & Co. KG  
D-32339 ESPELKAMP



TB 61 03 001 X014

Sub.

Blatt/ Page  
1 / 1

INDUCOM - 15 poles, full metal hood for D-Sub, angled cable entry

Maßstab/ Scale  
1:1