



Chipsmall Limited consists of a professional team with an average of over 10 year of expertise in the distribution of electronic components. Based in Hongkong, we have already established firm and mutual-benefit business relationships with customers from,Europe,America and south Asia,supplying obsolete and hard-to-find components to meet their specific needs.

With the principle of “Quality Parts,Customers Priority,Honest Operation,and Considerate Service”,our business mainly focus on the distribution of electronic components. Line cards we deal with include Microchip,ALPS,ROHM,Xilinx,Pulse,ON,Everlight and Freescale. Main products comprise IC,Modules,Potentiometer,IC Socket,Relay,Connector.Our parts cover such applications as commercial,industrial, and automotives areas.

We are looking forward to setting up business relationship with you and hope to provide you with the best service and solution. Let us make a better world for our industry!



## Contact us

Tel: +86-755-8981 8866 Fax: +86-755-8427 6832

Email & Skype: info@chipsmall.com Web: www.chipsmall.com

Address: A1208, Overseas Decoration Building, #122 Zhenhua RD., Futian, Shenzhen, China



5

4

3

2

1

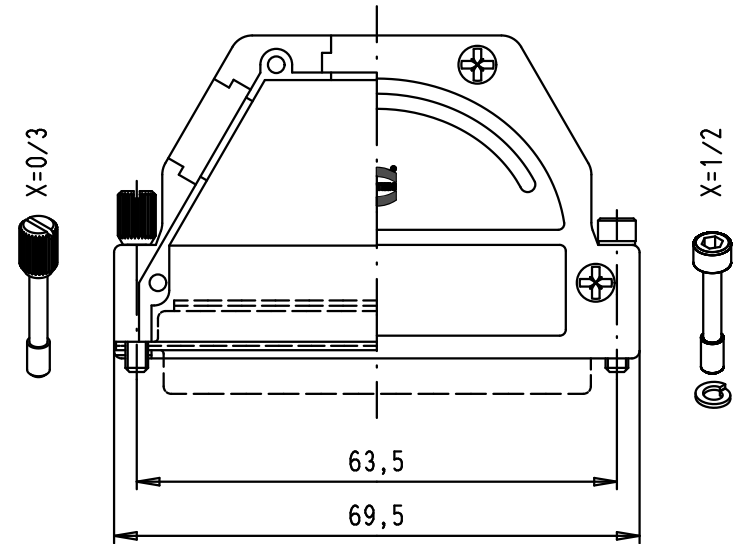
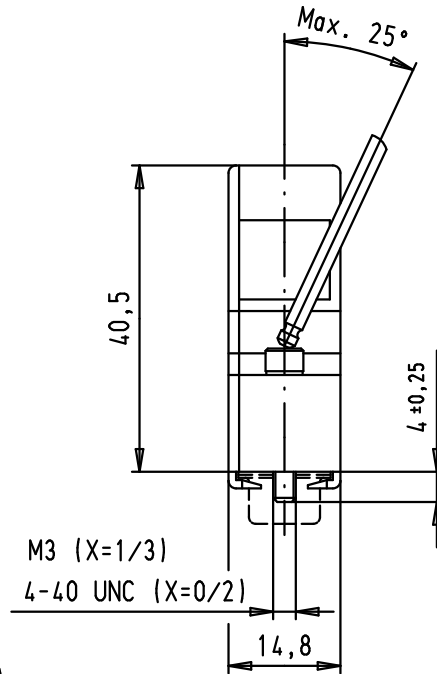
Lieferumfang :

- 1 Gehäuse mit Deckel-Zinkdruckguss
- 2 Rändelschrauben :
  - 4-40 UNC x 16,9 (bei X=0)
  - M3 x 16,9 (bei X=3)
- 2 Zylinderschrauben mit Innensechskant :
  - 4-40 UNC x 17,5 (bei X=2)
  - M3 x 17,5 (bei X=1)
- 2 Federringe 2,6 DIN 127 B (bei X=1 oder 2)
- 1 Erdungsschraube M2,5 x 4
- 4 Deckelschrauben M2,5 x 6,5

Bei Verwendung eines Schraubendrehers mit Kugelkopf wird die Bedienbarkeit der Schrauben wesentlich vereinfacht  
 Bestellnummer : 61 03 600 0021

Hood assembly consists of :

- 1 Metal hood with cover-diecast zinc
- 2 Thumb screws (knurled) :
  - 4-40 UNC x 16,9 (with X=0)
  - M3 x 16,9 (with X=3)
- 2 Cylinder socket head cap screws :
  - 4-40 UNC x 17,5 (with X=2)
  - M3 x 17,5 (with X=1)
- 2 Spring washers 2,6 DIN 127 B (with X=1 or 2)
- 1 Screw M2,5 x 4 for grounding post
- 4 Cover screws M2,5 x 6,5



X = 0 ... 3

			Dot.	Name	<p>All Dim. in mm Orig. Size DIN A 4</p>	<p>INDUCOM</p> <p>Full metal hood for D-Sub 37 poles connectors with angled/straight cable entry</p>	<p>Maßstab/ Scale</p> <p>1:1</p>
			Detail.	14/08/03 STRAUCH			
			Insp.				
			Stand.				
32473	10/01/05	STRAUCH	HARTING Electronics GmbH & Co. KG D-32339 ESPELKAMP			<p>TB 61 03 001 X018</p>	<p>Blatt/ Page</p> <p>1 / 1</p>
Mod.	Dot.	Name					

D

C

B

A