



Chipsmall Limited consists of a professional team with an average of over 10 year of expertise in the distribution of electronic components. Based in Hongkong, we have already established firm and mutual-benefit business relationships with customers from,Europe,America and south Asia,supplying obsolete and hard-to-find components to meet their specific needs.

With the principle of “Quality Parts,Customers Priority,Honest Operation,and Considerate Service”,our business mainly focus on the distribution of electronic components. Line cards we deal with include Microchip,ALPS,ROHM,Xilinx,Pulse,ON,Everlight and Freescale. Main products comprise IC,Modules,Potentiometer,IC Socket,Relay,Connector.Our parts cover such applications as commercial,industrial, and automotives areas.

We are looking forward to setting up business relationship with you and hope to provide you with the best service and solution. Let us make a better world for our industry!



Contact us

Tel: +86-755-8981 8866 Fax: +86-755-8427 6832

Email & Skype: info@chipsmall.com Web: www.chipsmall.com

Address: A1208, Overseas Decoration Building, #122 Zhenhua RD., Futian, Shenzhen, China

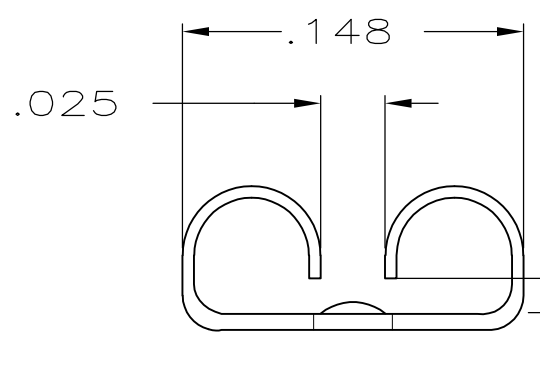
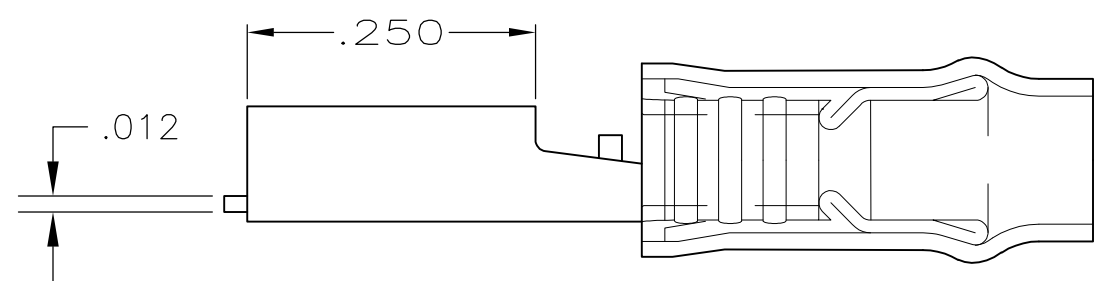
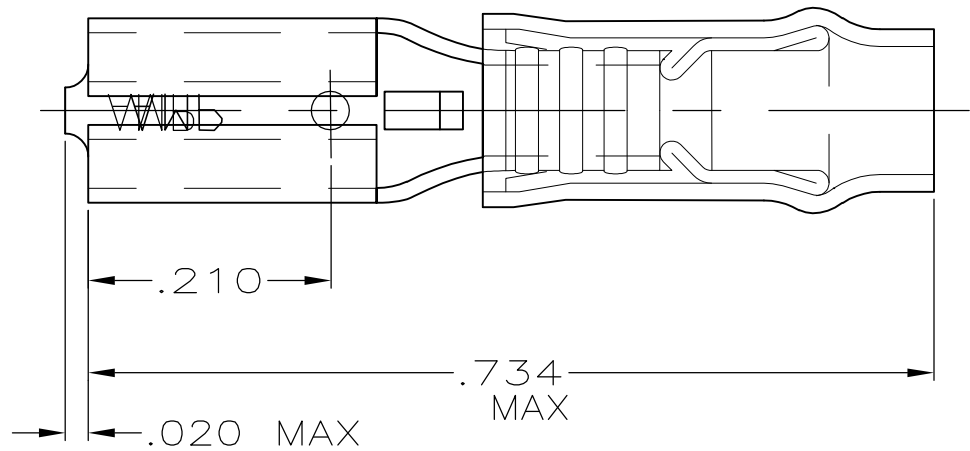


THIS DRAWING IS UNPUBLISHED. RELEASED FOR PUBLICATION
 © COPYRIGHT - By - ALL RIGHTS RESERVED.

| LOC | DIST | REVISIONS | | | | | |
|-----|------|-----------|-----|---------------------------|---------|-----|------|
| | | P | LTR | DESCRIPTION | DATE | DWN | APVD |
| G | 14 | | N2 | REVISED PER ECO-11-004917 | 11MAR11 | RK | HMR |

AMP
WIRE RANGE

22-18 AWG
STRANDED



FITS "110" SERIES FASTON TAB

- 1. WIRE INSULATION DIA .100 MAX
- 2. FITS TAB THK .020±.001
- 3. SUPERSEDED BY 61060-1
- 4. SUPERSEDED BY 8-61060-1
- 5. MATERIAL & FINISH:
 BODY - BRASS - PRE TIN PLATE
 SLEEVE - NYLON, COLOR-SEE TABLE

| | | | | |
|---|------------------|------|------------------|-----------|
| 4 | TRANSPARENT | 50 | LOOSE PIECE, BAG | 8-61060-5 |
| 4 | TRANSPARENT | 5 | LOOSE PIECE, BLS | 8-61060-4 |
| | TRANSPARENT | 100 | LOOSE PIECE, BOX | 8-61060-1 |
| 3 | BLACK | - | LOOSE PIECE | 61060-3 |
| | TRANSPARENT | 5000 | ON TAPE | 61060-2 |
| | TRANSPARENT | 1000 | LOOSE PIECE | 61060-1 |
| | INSULATION COLOR | QTY | PACKAGE TYPE | PART NO |

| | | | | | | | | | | |
|--|--|---|--|--|----------------------------|----------------------------|-----------|------------|--|--------|
| AMP INCORPORATED CUSTOMER SERVICE SYSTEMS | | MAX RECOMMENDED OPERATING TEMPERATURE: 105°C [221°F] | THIS DRAWING IS A CONTROLLED DOCUMENT. | | DWN L OLMEDA 13NOV95 | STE TE Connectivity | | | | |
| FOR ADDITIONAL PRODUCT INFORMATION OR COPIES OF DRAWINGS AND TECHNICAL DOCUMENTS | PRODUCT INFORMATION CENTER 1-800-522-6752 | VOLTAGE RATING: 300V MAX | DIMENSIONS: INCHES | TOLERANCES UNLESS OTHERWISE SPECIFIED: | CHK M ELLIS 13NOV95 | | | | NAME RECEPTACLE, 110 SERIES, FASTON , PIDG , WIRE SIZE: 22-18 | |
| FOR APPLICATION TOOLING INFORMATION | TOOLING ASSISTANCE CENTER 1-800-722-1111 | CIRCULAR MIL AREA: 0.26-1.65mm² [509-3260] STRANDED | | 0 PLC ± - 1 PLC ± - 2 PLC ± .015 3 PLC ± - 4 PLC ± - ANGLES ± - | APVD B BARE 13NOV95 | SIZE | CAGE CODE | DRAWING NO | RESTRICTED TO | |
| FOR ORDER ENTRY | 1-800-526-5142 | THIS DRAWING IS A CONTROLLED DOCUMENT FOR AMP INCORPORATED. IT IS SUBJECT TO CHANGE AND THE CONTROLLING ENGINEERING ORGANIZATION SHOULD BE CONTACTED FOR THE LATEST REVISION. | MATERIAL | FINISH | PRODUCT SPEC | WEIGHT | A300779 | C-61060 | - | |
| | | | 5 | 5 | APPLICATION SPEC | CUSTOMER DRAWING | | SCALE 1:1 | SHEET 1 OF 1 | REV N2 |