



Chipsmall Limited consists of a professional team with an average of over 10 year of expertise in the distribution of electronic components. Based in Hongkong, we have already established firm and mutual-benefit business relationships with customers from,Europe,America and south Asia,supplying obsolete and hard-to-find components to meet their specific needs.

With the principle of “Quality Parts,Customers Priority,Honest Operation,and Considerate Service”,our business mainly focus on the distribution of electronic components. Line cards we deal with include Microchip,ALPS,ROHM,Xilinx,Pulse,ON,Everlight and Freescale. Main products comprise IC,Modules,Potentiometer,IC Socket,Relay,Connector.Our parts cover such applications as commercial,industrial, and automotives areas.

We are looking forward to setting up business relationship with you and hope to provide you with the best service and solution. Let us make a better world for our industry!



## Contact us

Tel: +86-755-8981 8866 Fax: +86-755-8427 6832

Email & Skype: info@chipsmall.com Web: www.chipsmall.com

Address: A1208, Overseas Decoration Building, #122 Zhenhua RD., Futian, Shenzhen, China



THIS DRAWING IS UNPUBLISHED.

RELEASED FOR PUBLICATION

20

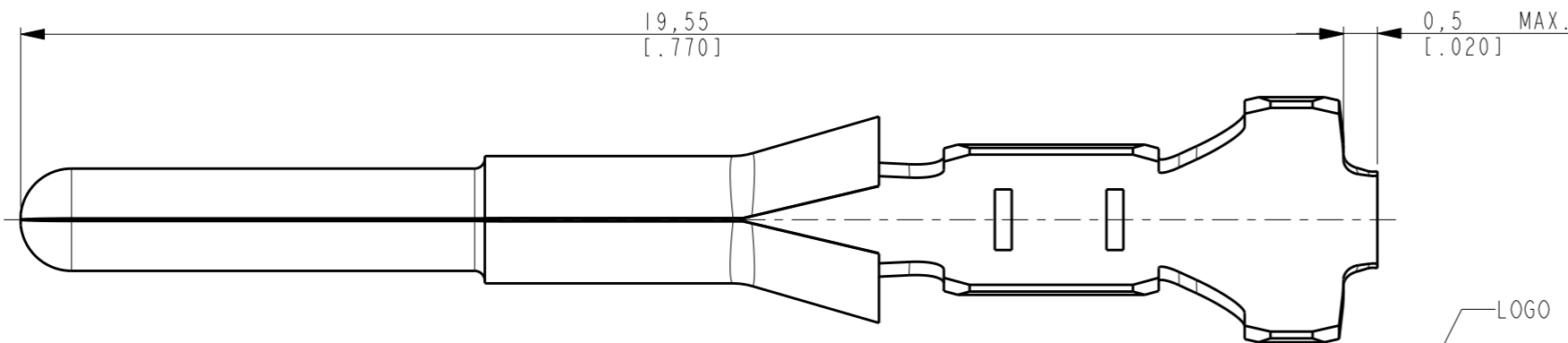
LOC  
AP

DIST  
-

REVISIONS

© COPYRIGHT 20 TE ALL RIGHTS RESERVED.

P	LTR	DESCRIPTION	DATE	DWN	APVD
	J	REV. ECO-11-020077	18OCT2011	HC	WLS

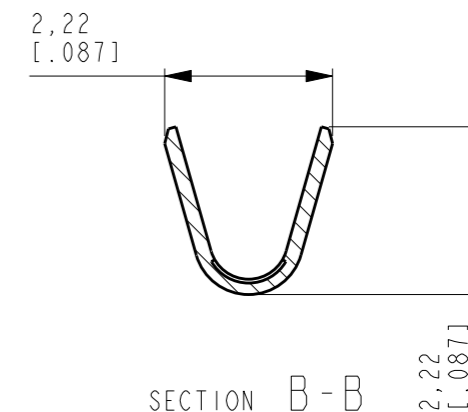
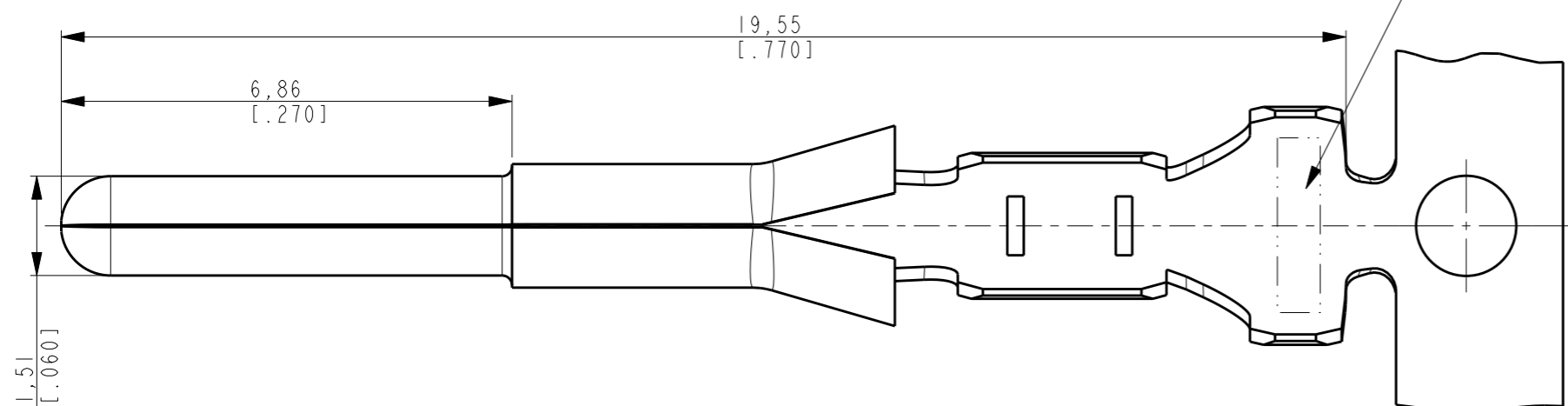


AFTER CUTOFF

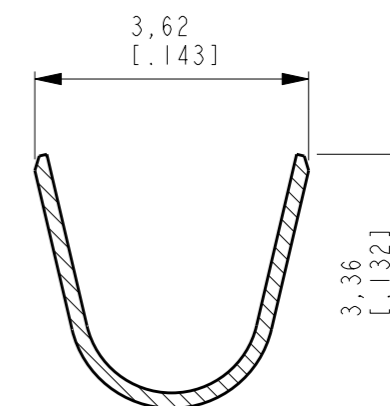
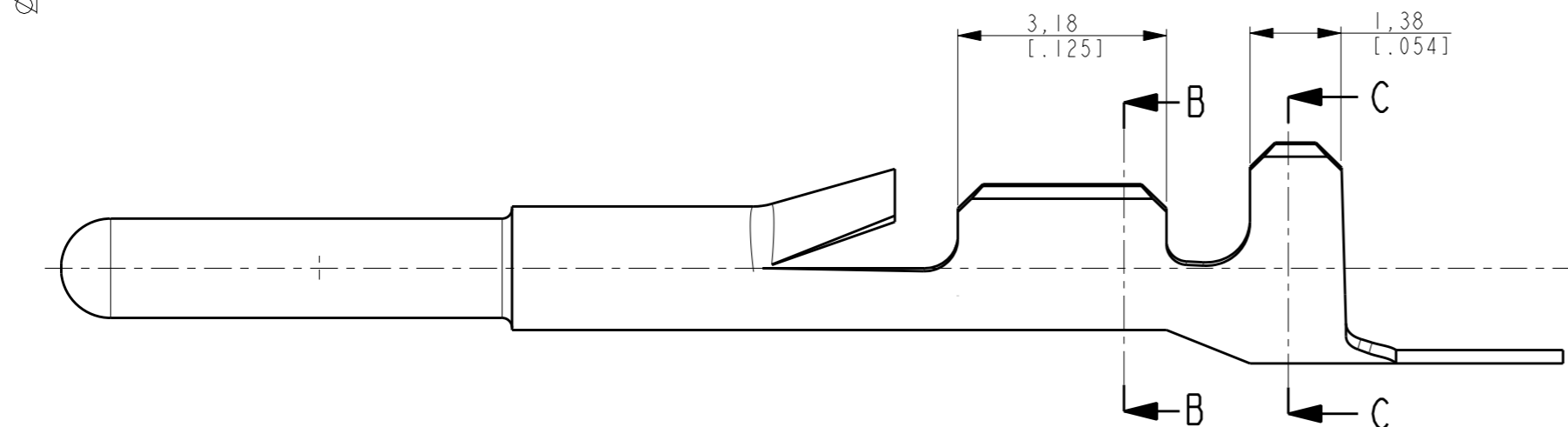
LOGO

NOTES:

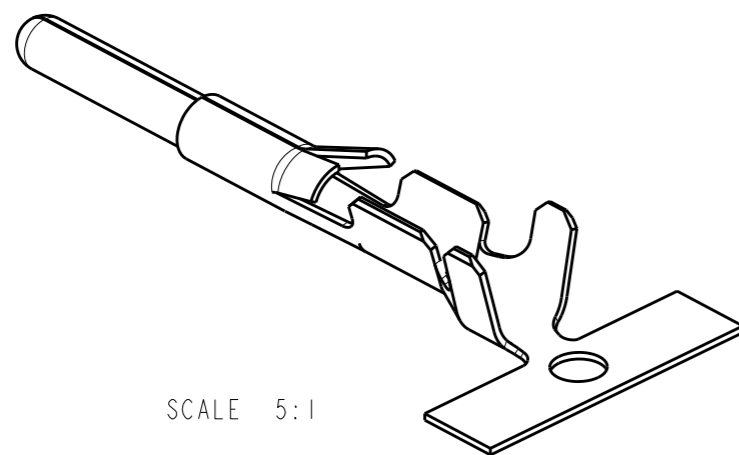
△ WIRE RANGE #22 TO #18 AWG; INSULATION RANGE 1,5 mm TO 2,8 mm [0.060 TO .100 INCH]



SECTION B-B



SECTION C-C



SCALE 5:1

FINISH	MATERIAL	DESCRIPTION	PARTNUMBER
POST TIN OVER NICKEL	BRASS	LOOSE PIECE	61121-1
PRE-TIN	BRASS	STRIP PRODUCT	61062-3
PRE-TIN OVER NICKEL	BRASS	STRIP PRODUCT	61062-1

THIS DRAWING IS A CONTROLLED DOCUMENT.

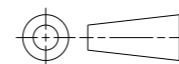
DWN H.C.CANTERI 11NOV2009

CHK W.L.STEFANI 12NOV2009

APVD -

DIMENSIONS:  
mm [inch]

TOLERANCES UNLESS OTHERWISE SPECIFIED:



- 0 PLC ±-
- 1 PLC ±-
- 2 PLC ±0,31(0.012)
- 3 PLC ±-
- 4 PLC ±-
- ANGLES ±2°

MATERIAL -

FINISH -

PRODUCT SPEC -

APPLICATION SPEC -

WEIGHT -

NAME  
**.060 COMBOLINE PIN**



SIZE	CAGE CODE	DRAWING NO	RESTRICTED TO
------	-----------	------------	---------------

A3	00779	C-61062	-
----	-------	---------	---

CUSTOMER DRAWING SCALE 10/11 SHEET 1 OF 1 REV J