



Chipsmall Limited consists of a professional team with an average of over 10 year of expertise in the distribution of electronic components. Based in Hongkong, we have already established firm and mutual-benefit business relationships with customers from,Europe,America and south Asia,supplying obsolete and hard-to-find components to meet their specific needs.

With the principle of “Quality Parts,Customers Priority,Honest Operation,and Considerate Service”,our business mainly focus on the distribution of electronic components. Line cards we deal with include Microchip,ALPS,ROHM,Xilinx,Pulse,ON,Everlight and Freescale. Main products comprise IC,Modules,Potentiometer,IC Socket,Relay,Connector.Our parts cover such applications as commercial,industrial, and automotives areas.

We are looking forward to setting up business relationship with you and hope to provide you with the best service and solution. Let us make a better world for our industry!



Contact us

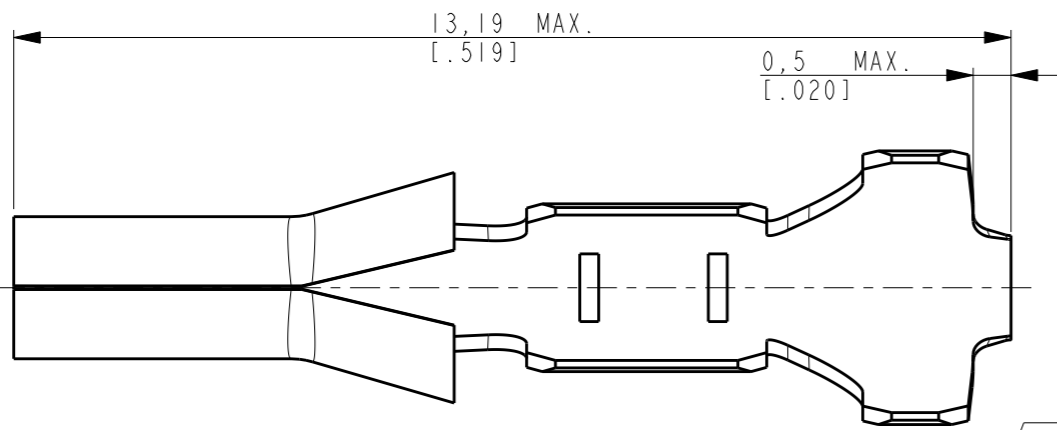
Tel: +86-755-8981 8866 Fax: +86-755-8427 6832

Email & Skype: info@chipsmall.com Web: www.chipsmall.com

Address: A1208, Overseas Decoration Building, #122 Zhenhua RD., Futian, Shenzhen, China

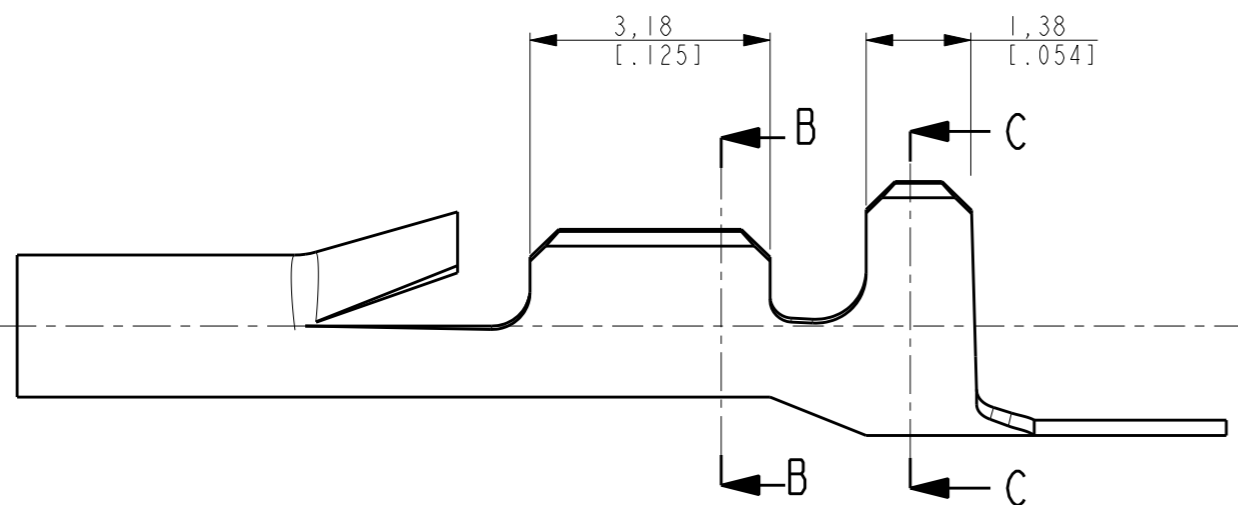
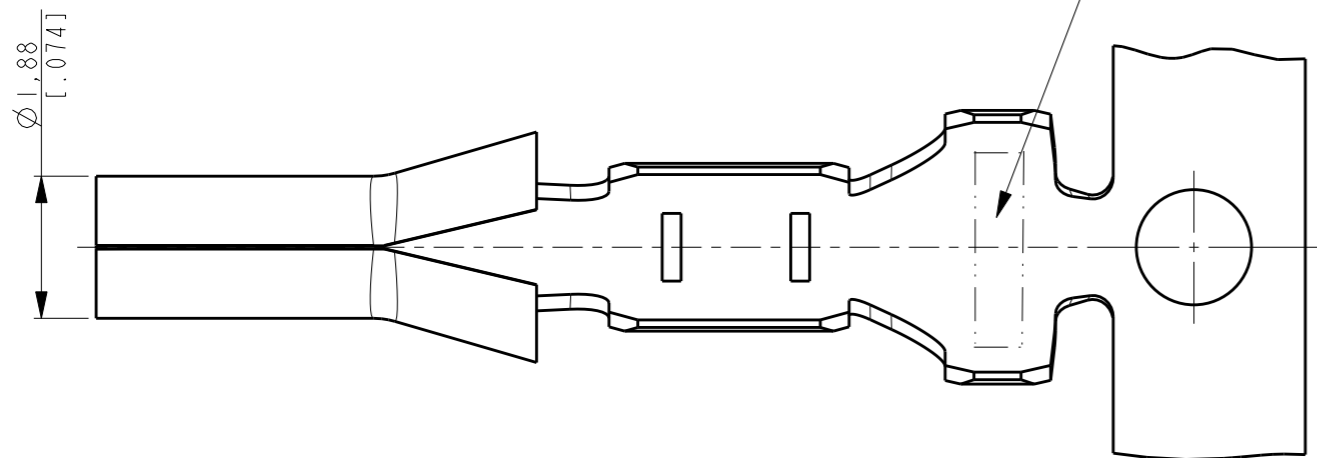


LOC	DIST	REVISIONS				
P	LTR	DESCRIPTION	DATE	DWN	APVD	
AP	-					
	L	REV. BY ECO-11-020077	18OCT2011	HC	WLS	



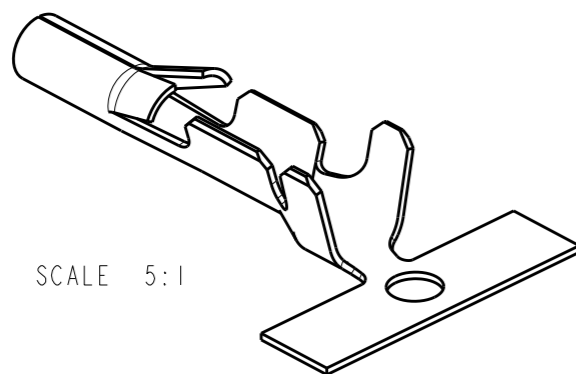
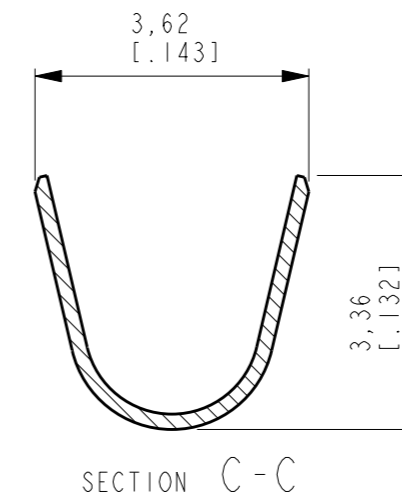
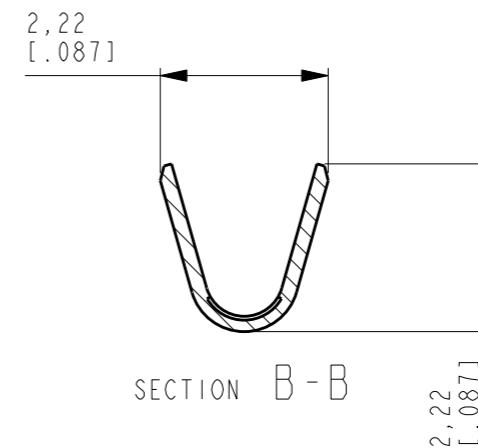
AFTER CUTOFF

LOGO



NOTES:

⚠ WIRE RANGE #22 TO #18 AWG; INSULATION RANGE 1,5 mm TO 2,8 mm [.060 TO .100 INCH]



SCALE 5:1

FINISH	MATERIAL	DESCRIPTION	PARTNUMBER
POST-TIN OVER NICKEL	BRASS	LOOSE PIECE	61123-1
PRE-TIN	BRASS	STRIP PRODUCT	61064-3
PRE-TIN OVER NICKEL	BRASS	STRIP PRODUCT	61064-1

THIS DRAWING IS A CONTROLLED DOCUMENT.		DWN H.C. CANTERI 11NOV2009	STE TE Connectivity	
		CHK W.L. STEFANI 11NOV2009		
DIMENSIONS: mm [inch]	TOLERANCES UNLESS OTHERWISE SPECIFIED:	APVD -	NAME .060 COMBOLINE SOCKET	
	0 PLC ±-	PRODUCT SPEC -	SIZE CAGE CODE DRAWING NO RESTRICTED TO	
	1 PLC ±-	APPLICATION SPEC -	A3 00779 C-61064	
MATERIAL SEE TABLE	FINISH SEE TABLE	WEIGHT -	SCALE 10/11 SHEET 1 OF 1 REV L	
CUSTOMER DRAWING				