



Chipsmall Limited consists of a professional team with an average of over 10 year of expertise in the distribution of electronic components. Based in Hongkong, we have already established firm and mutual-benefit business relationships with customers from,Europe,America and south Asia,supplying obsolete and hard-to-find components to meet their specific needs.

With the principle of “Quality Parts,Customers Priority,Honest Operation,and Considerate Service”,our business mainly focus on the distribution of electronic components. Line cards we deal with include Microchip,ALPS,ROHM,Xilinx,Pulse,ON,Everlight and Freescale. Main products comprise IC,Modules,Potentiometer,IC Socket,Relay,Connector.Our parts cover such applications as commercial,industrial, and automotives areas.

We are looking forward to setting up business relationship with you and hope to provide you with the best service and solution. Let us make a better world for our industry!



## Contact us

Tel: +86-755-8981 8866 Fax: +86-755-8427 6832

Email & Skype: info@chipsmall.com Web: www.chipsmall.com

Address: A1208, Overseas Decoration Building, #122 Zhenhua RD., Futian, Shenzhen, China



THIS DRAWING IS UNPUBLISHED.

RELEASED FOR PUBLICATION

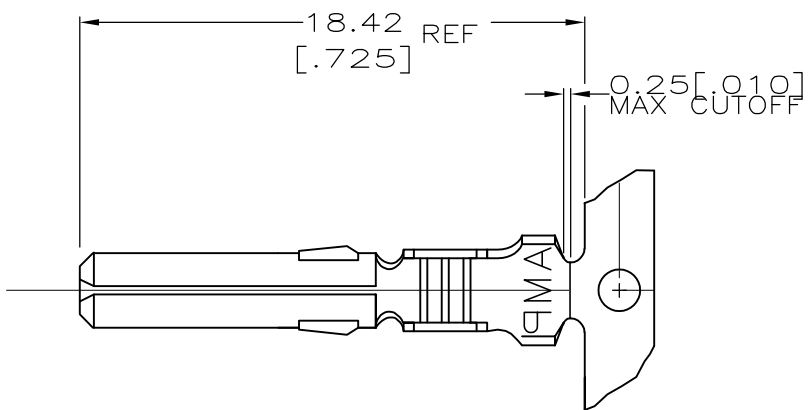
ALL RIGHTS RESERVED.

© COPYRIGHT - By -

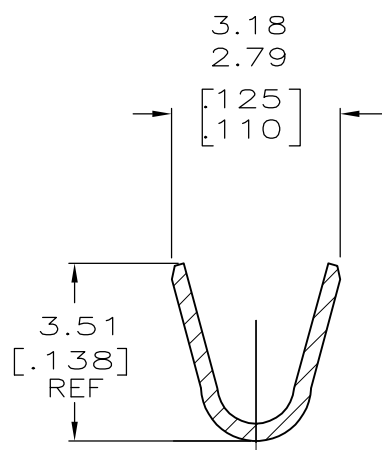
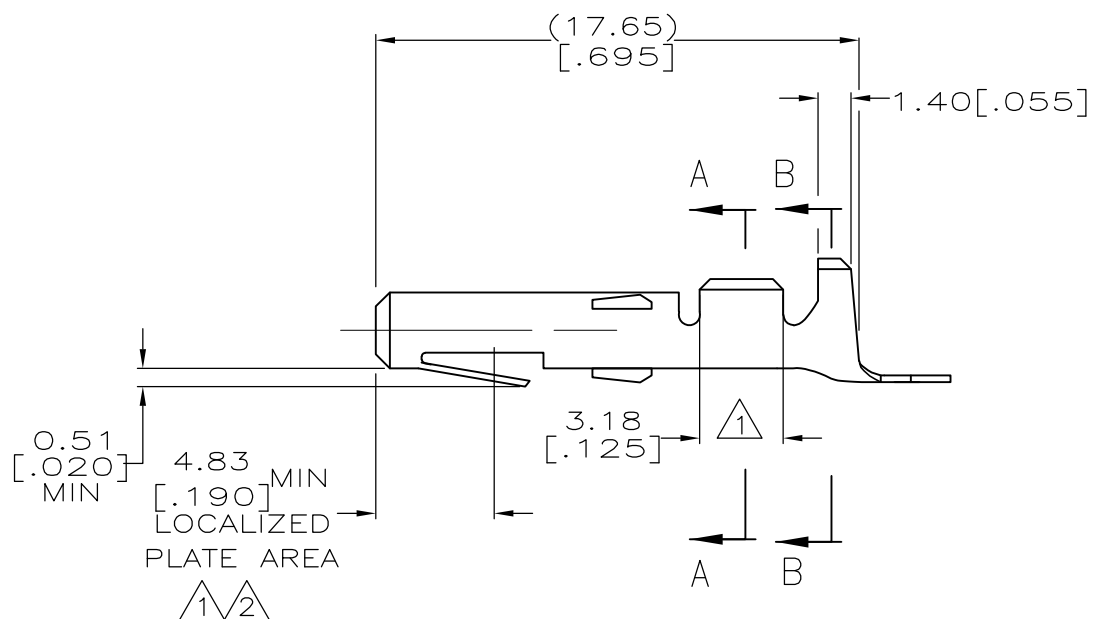
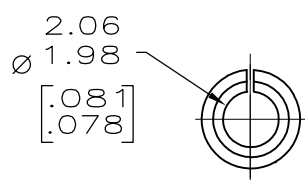
LOC CM DIST 00

REVISIONS

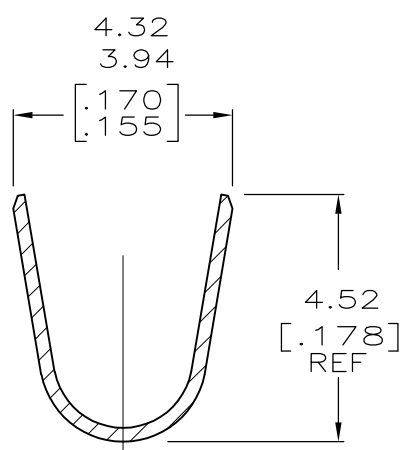
P	LTR	DESCRIPTION	DATE	DWN	APVD
	AC2	REVISED PER ECO-12-013810	25SEPT12	JR	TM



- ① 0.00076[.000030] THK GOLD IN LOCALIZED PLATING AREA AND IN WIRE BARREL; REMAINDER OF CONTACT IS NICKEL PLATED.
- ② 0.00076[.000030] THK GOLD IN LOCALIZED PLATING AREA; REMAINDER OF CONTACT IS NICKEL PLATED.
- 3. DIMENSIONS IN BRACKETS ARE IN INCHES.



SECTION A-A  
SCALE 10:1



SECTION B-B  
SCALE 10:1

	APPLICATOR TYPE	FINISH	MATERIAL	PART NO
-	MINI	GOLD ②	0.30 [.012] BRASS	61117-7
60619-7	MINI	GOLD ①	0.30 [.012] PH BZ	61117-6
60619-5	MINI	GOLD ①	0.30 [.012] BRASS	61117-5
-	MINI	TIN	0.30 [.012] PH BZ	61117-4
-	MINI	-	0.30 [.012] BRASS	61117-2
60619-1	MINI	TIN	0.30 [.012] BRASS	61117-1

THIS DRAWING IS A CONTROLLED DOCUMENT.

DWN K. WHITAKER 01MAR2005	 TE Connectivity	NAME		
CHK D. COLEY 01MAR2005		SOCKET, COMMERCIAL MATE-N-LOK™		
APVD D. COLEY 01MAR2005		SIZE	CAGE CODE	DRAWING NO
PRODUCT SPEC		A3	00779	C-61117
APPLICATION SPEC	WEIGHT	RESTRICTED TO		
MATERIAL 20-14 AWG	FINISH 3.30[.130] DIA MAX	CUSTOMER DRAWING		
		SCALE 5:1	SHEET 1 OF 1	
		REV AC2		