



Chipsmall Limited consists of a professional team with an average of over 10 year of expertise in the distribution of electronic components. Based in Hongkong, we have already established firm and mutual-benefit business relationships with customers from,Europe,America and south Asia,supplying obsolete and hard-to-find components to meet their specific needs.

With the principle of “Quality Parts,Customers Priority,Honest Operation,and Considerate Service”,our business mainly focus on the distribution of electronic components. Line cards we deal with include Microchip,ALPS,ROHM,Xilinx,Pulse,ON,Everlight and Freescale. Main products comprise IC,Modules,Potentiometer,IC Socket,Relay,Connector.Our parts cover such applications as commercial,industrial, and automotives areas.

We are looking forward to setting up business relationship with you and hope to provide you with the best service and solution. Let us make a better world for our industry!



## Contact us

Tel: +86-755-8981 8866 Fax: +86-755-8427 6832

Email & Skype: info@chipsmall.com Web: www.chipsmall.com

Address: A1208, Overseas Decoration Building, #122 Zhenhua RD., Futian, Shenzhen, China



DESCRIPTION : ABOVE PCB, DECK AND PUSH ROD LOCATION ARE AS VIEW BY USER.

PRODUCT NO.	PUSH ROD LOCATION		STAND-OFF HEIGHT	CLOSEST TO PCB	FARTHEST FROM PCB	MATING RECEPTACLE ④	P.C.B SIDE	RECOMMENDED P.C.B LAYOUT (SEE PAGE 6&7)	MOUNT STYLE TO PCB AND PUSH ROD SIDE
	DECK CLOSEST TO PCB	DECK FARTHEST TO PCB		② EJ HDR ASS'Y	③ EJ HDR ASS'Y				
① 61124-*****									
200CA	RIGHT	RIGHT	0.0	61126-002CA	61125-005CA	RECEPTACLE PART NO. 91931-31169	ABOVE	LAYOUT 1	
220CA	RIGHT	RIGHT	2.2	61125-020CA	61125-025CA			LAYOUT 2	
240CA	RIGHT	RIGHT	4.3	61125-040CA	61125-045CA			LAYOUT 2	
250CA	RIGHT	RIGHT	5.0	61125-050CA	61125-055CA			LAYOUT 2	
220CAC	RIGHT	RIGHT	2.2	61125-020CAC	61125-025CAC			LAYOUT 2	
240CAC	RIGHT	RIGHT	4.3	61125-040CAC	61125-045CAC			LAYOUT 2	
250CAC	RIGHT	RIGHT	5.0	61125-050CAC	61125-055CAC			LAYOUT 2	
300CA	LEFT	LEFT	0.0	61126-102CA	61125-105CA			LAYOUT 1	
320CA	LEFT	LEFT	2.2	61125-120CA	61125-125CA			LAYOUT 2	
340CA	LEFT	LEFT	4.3	61125-140CA	61125-145CA			LAYOUT 2	
350CA	LEFT	LEFT	5.0	61125-150CA	61125-155CA			LAYOUT 2	
700CA	RIGHT	RIGHT	0.0	61126-502CA	61125-505CA			RECEPTACLE PART NO. 91931-31169	BELOW
720CA	RIGHT	RIGHT	2.2	61125-520CA	61125-525CA	LAYOUT 4			
740CA	RIGHT	RIGHT	4.3	61125-540CA	61125-545CA	LAYOUT 4			
750CA	RIGHT	RIGHT	5.0	61125-550CA	61125-555CA	LAYOUT 4			
800CA	LEFT	LEFT	0.0	61126-602CA	61125-605CA	LAYOUT 3			
820CA	LEFT	LEFT	2.2	61125-620CA	61125-625CA	LAYOUT 4			
840CA	LEFT	LEFT	4.3	61125-640CA	61125-645CA	LAYOUT 4			
850CA	LEFT	LEFT	5.0	61125-650CA	61125-655CA	LAYOUT 4			

OR

ORDERING INFORMATION

ORDERING INFORMATION		
NAME	PART NO.	Q'TY
① EJECT HEADER ASS'Y	61124-*****	1
④ MATING RECEPTACLE	91931-31169	2

ORDERING INFORMATION		
NAME	PART NO.	Q'TY
② DECK CLOSEST TO PCB	61125-*****	1
③ DECK FARTHEST FROM PCB	61125-*****	1
④ MATING RECEPTACLE	91931-31169	2

OR

ORDERING INFORMATION

ORDERING INFORMATION		
NAME	PART NO.	Q'TY
② DECK CLOSEST TO PCB	61126-*****	1
③ DECK FARTHEST FROM PCB	61125-*****	1
④ MATING RECEPTACLE	91931-31169	1

rev	ecn no	dr	date
C	T03-0216	W L	06/09/03
D	N05-0059	W B	03/03/05
E	N05-0140	W B	05/31/05
F	N05-0217	W B	07/25/05
G	N08-0169	MZ	08/13/07
H	N11-0015	SH	2011-02-09
J	ELX-N-011396	ZK	2012-04-02

www.fciconnect.com		surface 6.4 ISO 1302	tolerance std ISO 406 ISO 1101	projection MM
		TOLERANCES UNLESS OTHERWISE SPECIFIED		
Dr	WENDY CHEN	07/06/95	ANGULAR	LINEAR
Eng	L.W. LU	07/06/95	0.X	±0.3
Chr	JOSEPH HSIA	07/06/95	0.XX	±0.15
Appr	JENN TSAO	07/06/95	0.XXX	±0.05
Product family		61124	Spec ref	RELEASE
title		EJECTOR HEADER ASS'Y 3.3V SMT, TYPE 1/2/3		Rev. J
catalog no		CUSTOMER		sheet 1 of 8

DESCRIPTION : ABOVE PCB, DECK AND PUSH ROD LOCATION ARE AS VIEW BY USER.

PRODUCT NO.	PUSH ROD DECK CLOSEST TO PCB	LOCATION DECK FARTHEST TO PCB	STAND-OFF HEIGHT	CLOSEST TO PCB	FARTHEST FROM PCB	MATING RECEPTACLE D	P.C.B SIDE	RECOMMENDED P.C.B LAYOUT (SEE PAGE 6&7)	MOUNT STYLE TO PCB AND PUSH ROD SIDE
				EJ HDR ASS'Y B	EJ HDR ASS'Y C				
A 61124-****	RIGHT	RIGHT	0.0	61126-002CALF	61125-005CALF	RECEPTACLE PART NO. 91931-31169LF	ABOVE	LAYOUT 1	
200CALF	RIGHT	RIGHT	2.2	61125-020CALF	61125-025CALF				
220CALF	RIGHT	RIGHT	4.3	61125-040CALF	61125-045CALF				
240CALF	RIGHT	RIGHT	5.0	61125-050CALF	61125-055CALF				
250CALF	RIGHT	RIGHT	2.2	61125-020CACLF	61125-025CACLF				
220CACLF	RIGHT	RIGHT	4.3	61125-040CACLF	61125-045CACLF				
240CACLF	RIGHT	RIGHT	5.0	61125-050CACLF	61125-055CACLF				
250CACLF	RIGHT	RIGHT	5.0	61125-050CACLF	61125-055CACLF				
251CACLF	LEFT	RIGHT	5.0	61125-050CACLF	61125-155CACLF				
300CALF	LEFT	LEFT	0.0	61126-102CALF	61125-105CALF				
320CALF	LEFT	LEFT	2.2	61125-120CALF	61125-125CALF				
340CALF	LEFT	LEFT	4.3	61125-140CALF	61125-145CALF				
350CALF	LEFT	LEFT	5.0	61125-150CALF	61125-155CALF				
350CACLF	LEFT	LEFT	5.0	61125-150CACLF	61125-155CACLF				
700CALF	RIGHT	RIGHT	0.0	61126-502CALF	61125-505CALF	RECEPTACLE PART NO. 91931-31169LF	BELOW	LAYOUT 3	
720CALF	RIGHT	RIGHT	2.2	61125-520CALF	61125-525CALF				
740CALF	RIGHT	RIGHT	4.3	61125-540CALF	61125-545CALF				
750CALF	RIGHT	RIGHT	5.0	61125-550CALF	61125-555CALF				
800CALF	LEFT	LEFT	0.0	61126-602CALF	61125-605CALF				
820CALF	LEFT	LEFT	2.2	61125-620CALF	61125-625CALF				
840CALF	LEFT	LEFT	4.3	61125-640CALF	61125-645CALF				
850CALF	LEFT	LEFT	5.0	61125-650CALF	61125-655CALF				
800CACLF	LEFT	LEFT	0.0	61126-602CACLF	61125-605CACLF				
820CACLF	LEFT	LEFT	2.2	61125-620CACLF	61125-625CACLF				
840CACLF	LEFT	LEFT	4.3	61125-640CACLF	61125-645CACLF				
850CACLF	LEFT	LEFT	5.0	61125-650CACLF	61125-655CACLF				

OR

ORDERING INFORMATION

ORDERING INFORMATION			
NAME	PART NO.	Q'TY	
A EJECT HEADER ASS'Y	61124-****LF	1	
D MATING RECEPTACLE	91931-31169LF	2	

ORDERING INFORMATION			
NAME	PART NO.	Q'TY	
B DECK CLOSEST TO PCB	61125-****LF	1	
C DECK FARTHEST FROM PCB	61125-****LF	1	
D MATING RECEPTACLE	91931-31169LF	2	

OR

ORDERING INFORMATION

ORDERING INFORMATION			
NAME	PART NO.	Q'TY	
B DECK CLOSEST TO PCB	61126-****LF	1	
C DECK FARTHEST FROM PCB	61125-****LF	1	
D MATING RECEPTACLE	91931-31169LF	1	

NOTE:

- THE HOUSING WILL WITHSTAND EXPOSURE TO 260°C PEAK TEMPERATURE FOR 10 SECONDS IN A WAVE SOLDER APPLICATION WITH A 1.00MM MINIMUM THICK CIRCUIT BOARD.
- THE PRODUCTS FOR SUFFIX " LF " MEET EUROPEAN UNION DIRECTIVES AND OTHER COUNTRY REGULATIONS AS DESCRIBED IN GS-22-008 OTHER PRODUCTS ARE COMPLIANT EXCEPT FOR Pb.
- LEAD FREE P/N PACKAGING MEETS GS-14-920 SPECIFICATION
- FINISH (PIN)  
CONTACT AREA : 0.076 µm MIN. GOLD

SOLDER TAIL( FOR -\*\*\*\*\*) : 2.5 µm MIN. Sn-Pb  
 SOLDER TAIL( FOR -\*\*\*\*\*)LF) : 2.5 µm MIN. PURE Sn

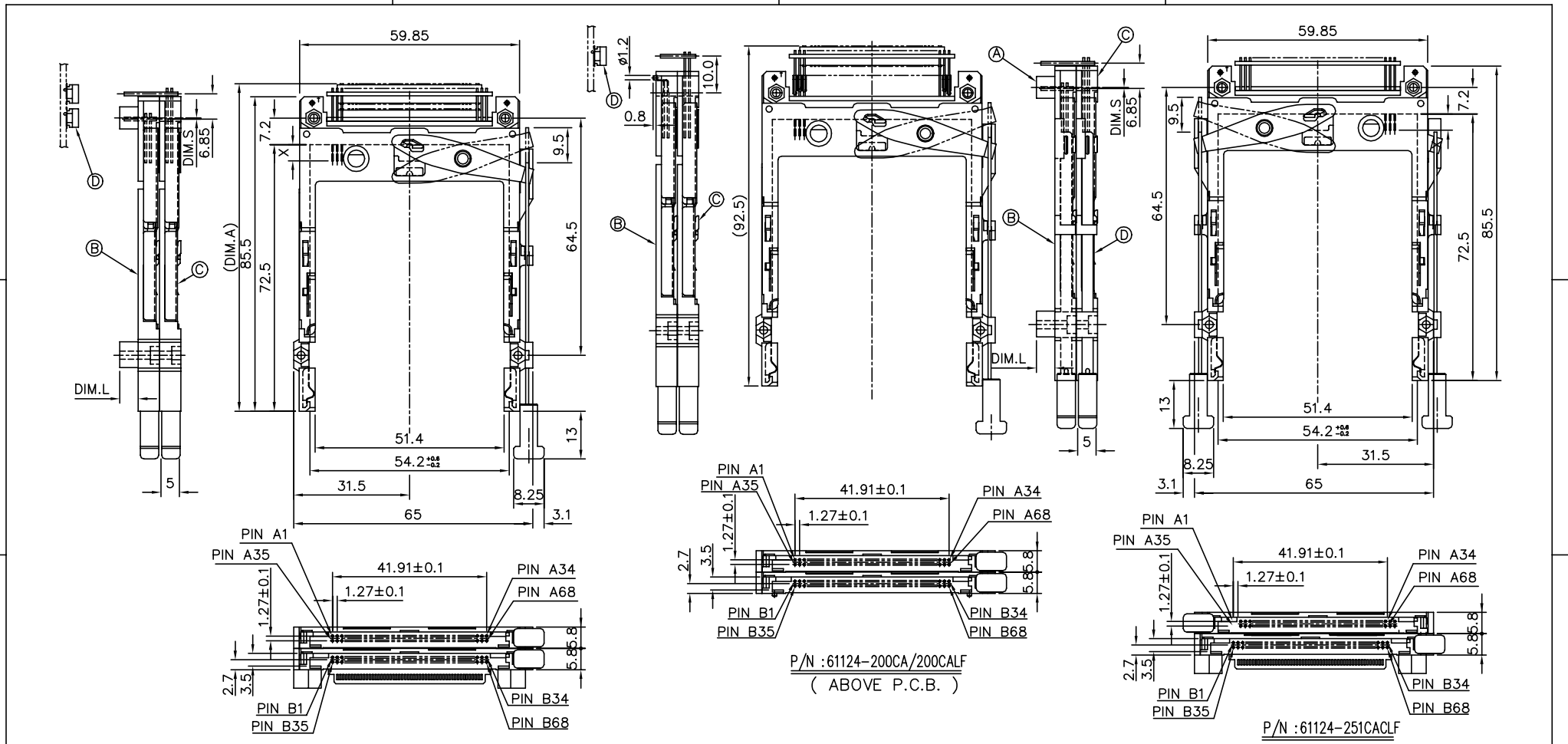
www.fciconnect.com			surface 6.4 ISO 1302	tolerance std ISO 406 ISO 1101	projection MM	
			TOLERANCES UNLESS OTHERWISE SPECIFIED			
Dr	WENDY CHEN	07/06/95	ANGULAR	0.X	±0.3	size A4
Eng	L.W. LU	07/06/95	LINEAR	0.XX	±0.15	Scale 1.000
Chr	JOSEPH HSIA	07/06/95	0° ±2°	0.XXX	±0.05	ECN N11-0015
Appr	JENN TSAO	07/06/95	Product family		61124	Spec ref RELEASE
			title EJECTOR HEADER ASS'Y 3.3V SMT, TYPE 1/2/3		dwg no 61124	Rev. J
			catalog no		CUSTOMER	sheet 2 of 8



Copyright FCI.



Copyright FCI.



(A) PART NUMBER	DIM.L	DIM.S	DIM.A
61124-220CA	2.2	-0.3	89.05
61124-240CA	4.3	-0.3	89.05
61124-250CA	5.0	-0.3	89.05
61124-220CALF	2.2	-0.3	89.05
61124-240CALF	4.3	-0.3	89.05
61124-250CALF	5.0	-0.3	89.05
61124-220CAC	2.2	-0.3	89.05
61124-240CAC	4.3	-0.3	89.05
61124-250CAC	5.0	-0.3	89.05
61124-220CACLF	2.2	-0.3	89.05
61124-240CACLF	4.3	-0.3	89.05
61124-250CACLF	5.0	-0.3	89.05
61124-251CACLF	5.0	-0.3	89.05

www.fciconnect.com		surface 6.4 ISO 1302	tolerance std ISO 406 ISO 1101	projection MM
		TOLERANCES UNLESS OTHERWISE SPECIFIED		
Dr	WENDY CHEN	07/06/95	ANGULAR	size A4
Eng	L.W. LU	07/06/95	LINEAR	Scale 1.000
Chr	JOSEPH HSIA	07/06/95	0° ±2°	ECN N11-0015
Appr	JENN TSAO	07/06/95	Product family	Spec ref
FCI		title EJECTOR HEADER ASS'Y 3.3V SMT, TYPE 1/2/3		Rev. J
catalog no		CUSTOMER		sheet 3 of 8

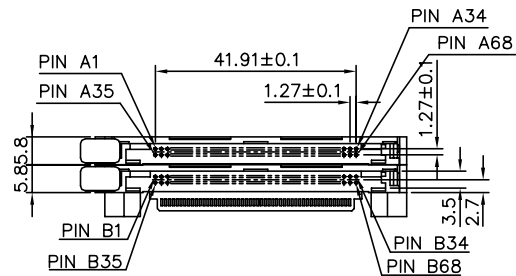
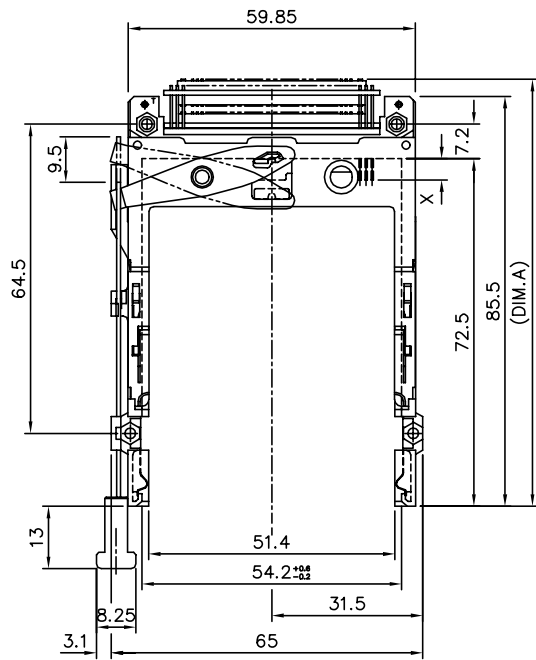
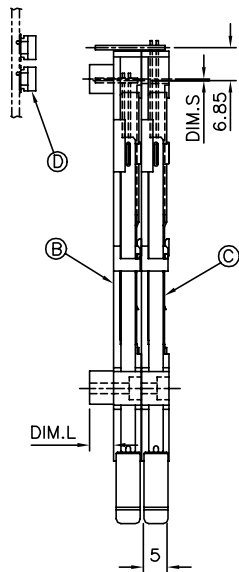
REV F - 2008-04-17



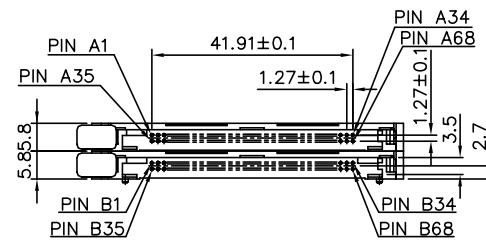
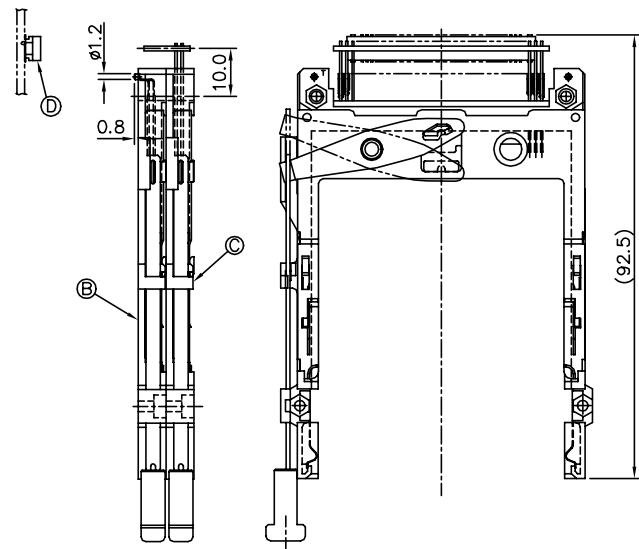
Copyright FCI.

(A) PART NUMBER	DIM.L	DIM.S	DIM.A
61124-320CA	2.2	-0.3	89.05
61124-340CA	4.3	-0.3	89.05
61124-350CA	5.0	-0.3	89.05
61124-320CALF	2.2	-0.3	89.05
61124-340CALF	4.3	-0.3	89.05
61124-350CALF	5.0	-0.3	89.05
61124-350CALF	5.0	-0.3	89.05

REV F - 2008-04-17



P/N : 61124-3\*\*CA/3\*\*CALF/3\*\*CALF  
( ABOVE P.C.B. )

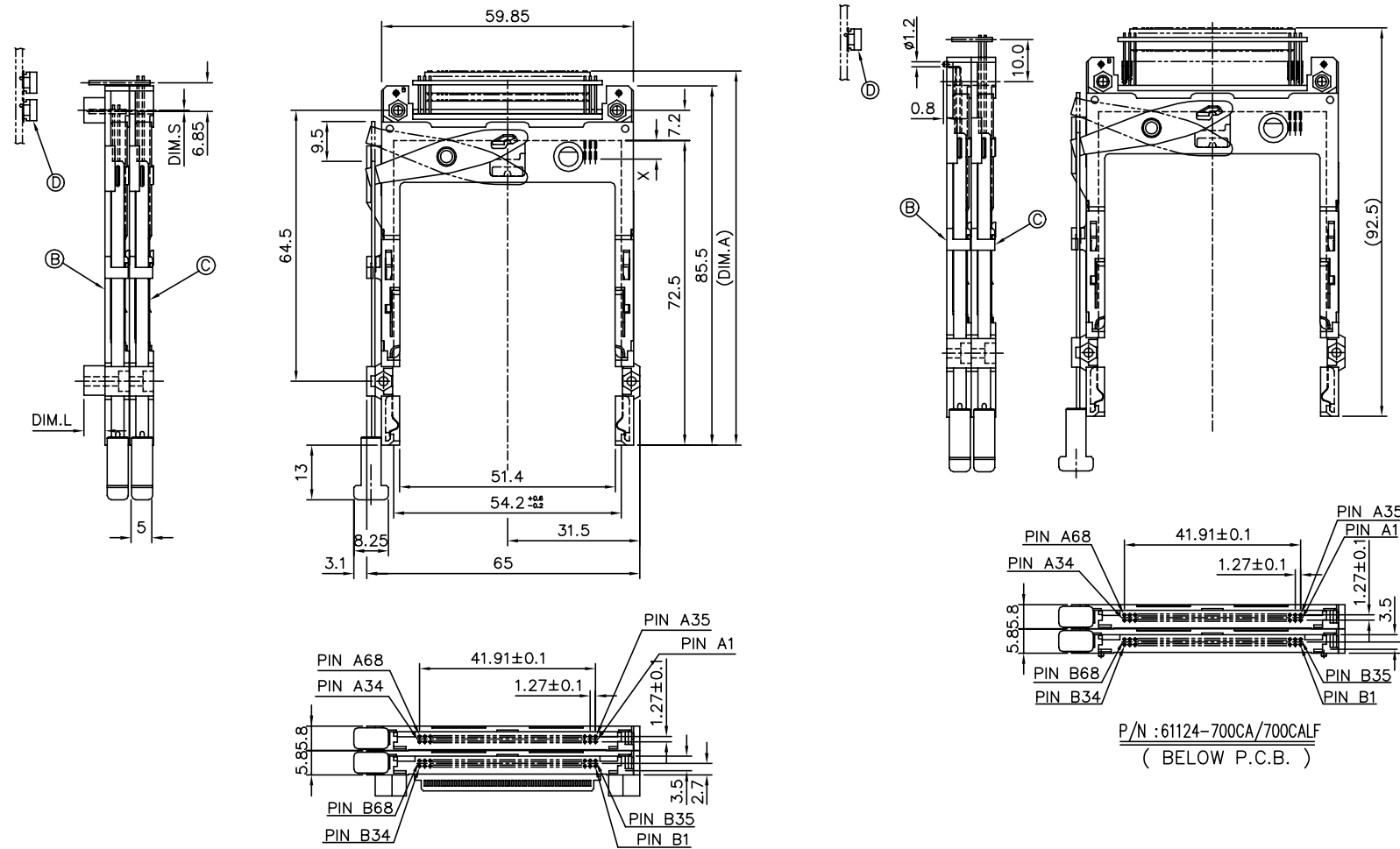


P/N : 61124-300CA/300CALF  
( ABOVE P.C.B. )

www.fciconnect.com			surface 6.4 ISO 1302	tolerance std ISO 406 ISO 1101	projection MM	
			TOLERANCES UNLESS OTHERWISE SPECIFIED			
Dr	WENDY CHEN	07/06/95	ANGULAR	0.X	±0.3	size A4 Scale 1.000
Eng	L.W. LU	07/06/95		LINEAR	0.XX	
Chr	JOSEPH HSIA	07/06/95	0° ±2°	0.XXX	±0.05	ECN N11-0015
Appr	JENN TSAO	07/06/95	Product family 61124		Spec ref	RELEASE
			title EJECTOR HEADER ASS'Y 3.3V SMT, TYPE 1/2/3		dwg no 61124	Rev. J
			catalog no		CUSTOMER	sheet 4 of 8



Copyright FCI.



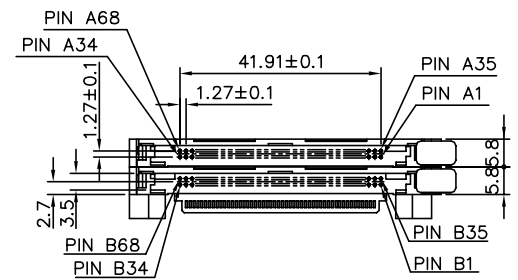
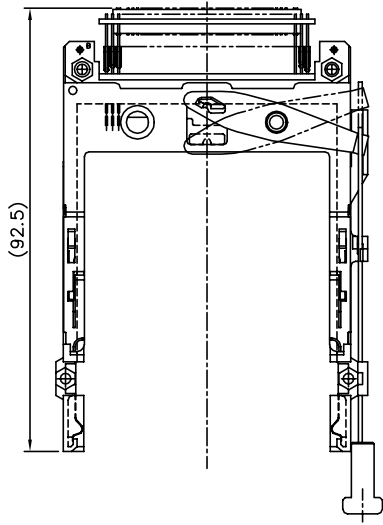
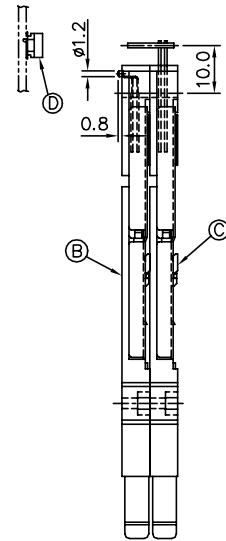
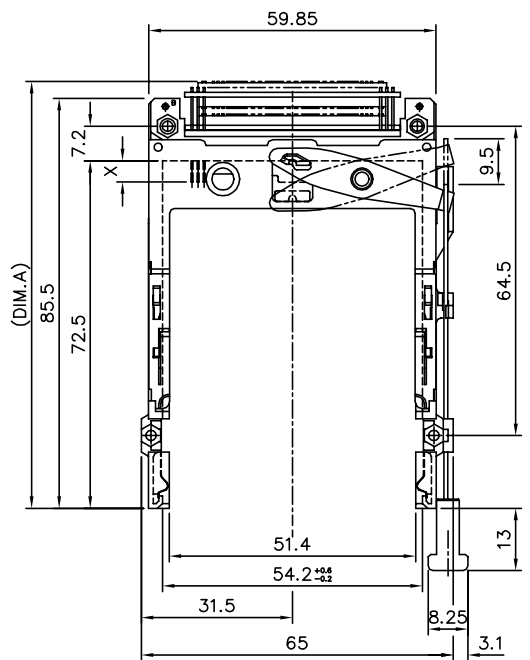
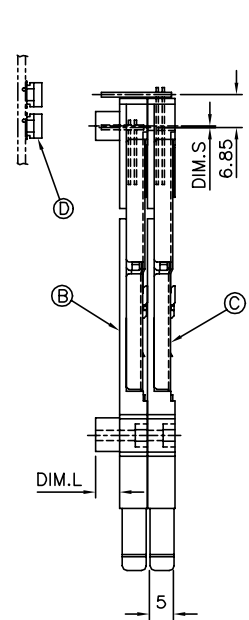
(A) PART NUMBER	DIM.L	DIM.S	DIM.A
61124-720CA	2.2	-0.3	89.05
61124-740CA	4.3	-0.3	89.05
61124-750CA	5.0	-0.3	89.05
61124-720CALF	2.2	-0.3	89.05
61124-740CALF	4.3	-0.3	89.05
61124-750CALF	5.0	-0.3	89.05

REV F - 2008-04-17

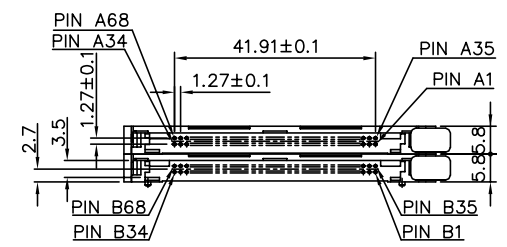
www.fciconnect.com			surface 6.4 ISO 1302	tolerance std ISO 406 ISO 1101	projection ISO 1101	MM
			TOLERANCES UNLESS OTHERWISE SPECIFIED			
Dr	WENDY CHEN	07/06/95	ANGULAR	0.X	±0.3	size A4
Eng	L.W. LU	07/06/95		LINEAR	0.XX	
Chr	JOSEPH HSIA	07/06/95	0° ±2°	0.XXX	±0.05	ECN N11-0015
Appr	JENN TSAO	07/06/95	Product family		61124	Spec ref RELEASE
			title EJECTOR HEADER ASS'Y 3.3V SMT, TYPE 1/2/3		dwg no 61124	Rev. J
			catalog no		CUSTOMER	sheet 5 of 8



Copyright FCI.



P/N : 61124-8\*\*CA/8\*\*CALF  
( BELOW P.C.B. )



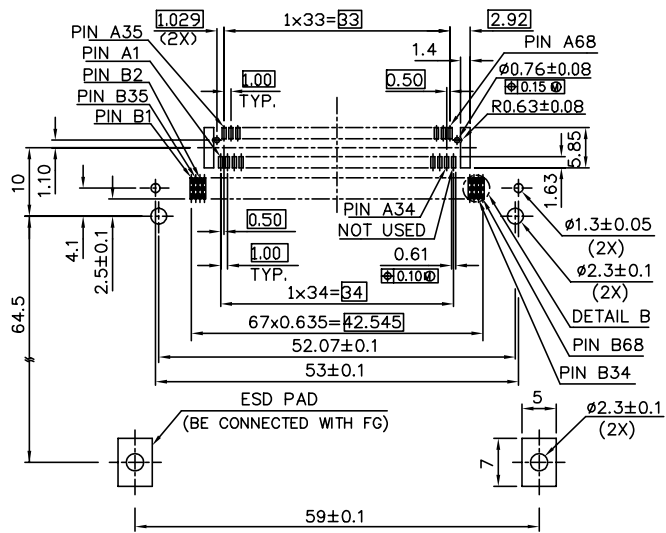
P/N : 61124-800CA/800CALF  
( BELOW P.C.B. )

① PART NUMBER	DIM.L	DIM.S	DIM.A
61124-820CA	2.2	-0.3	89.05
61124-840CA	4.3	-0.3	89.05
61124-850CA	5.0	-0.3	89.05
61124-820CALF	2.2	-0.3	89.05
61124-840CALF	4.3	-0.3	89.05
61124-850CALF	5.0	-0.3	89.05

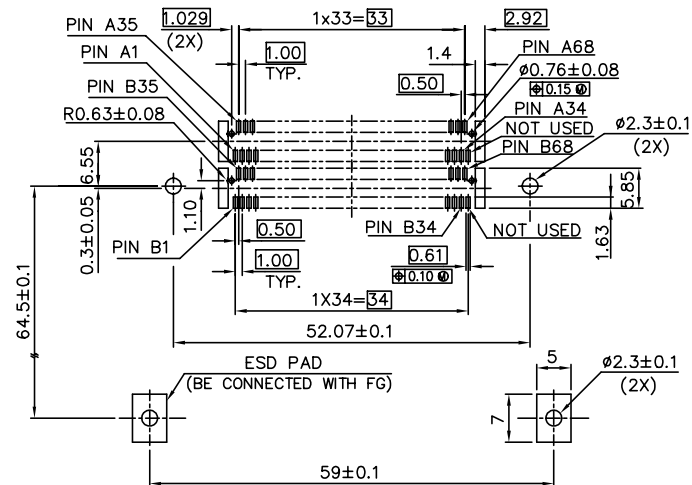
REV F - 2008-04-17

www.fciconnect.com		surface 6.4 ISO 1302	tolerance std ISO 406 ISO 1101	projection MM
		TOLERANCES UNLESS OTHERWISE SPECIFIED		↔
Dr	WENDY CHEN	07/06/95	ANGULAR	size A4
Eng	L.W. LU	07/06/95	LINEAR	Scale 1.000
Chr	JOSEPH HSIA	07/06/95	0° ±2°	ECN N11-0015
Appr	JENN TSAO	07/06/95	Product family	Spec ref RELEASE
FCI		title EJECTOR HEADER ASS'Y 3.3V SMT, TYPE 1/2/3		Rev. J
catalog no		dwg no 61124		sheet 6 of 8
		CUSTOMER		

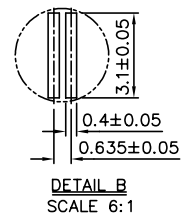
PRODUCT NO.  
61124-\*\*\*\*\*/\*\*\*\*\*LF



4 CARD INSERTION DIRECTION  
RECOMMENDED P.C.B. LAYOUT 1 (MOUNTED SIDE)



4 CARD INSERTION DIRECTION  
RECOMMENDED P.C.B. LAYOUT 2 (MOUNTED SIDE)



DETAIL B  
SCALE 6:1

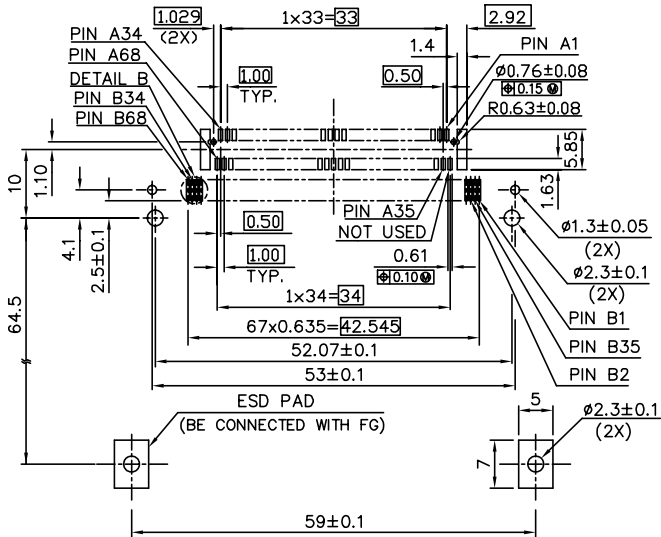
www.fciconnect.com		surface 6.4 ISO 1302	tolerance std ISO 406 ISO 1101	projection ISO 1101	MM
		TOLERANCES UNLESS OTHERWISE SPECIFIED			
Dr	WENDY CHEN	07/06/95	ANGULAR	size	A4
Eng	L.W. LU	07/06/95	LINEAR	0.X	±0.3
Chr	JOSEPH HSIA	07/06/95	0° ±2°	0.XX	±0.15
Appr	JENN TSAO	07/06/95	Product family	0.XXX	±0.05
			61124	Spec ref	RELEASE
FCI		title		EJECTOR HEADER ASS'Y 3.3V SMT, TYPE 1/2/3	
catalog no		dwg no		61124	
		CUSTOMER		Rev. J	
		sheet 7 of 8			



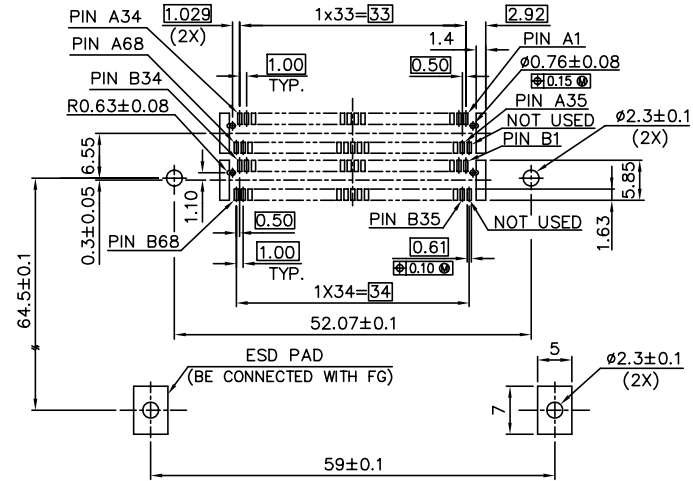
Copyright FCI.



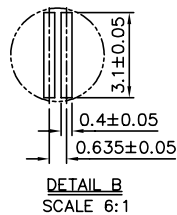
PRODUCT  
61124-\*\*\*\*\*/\*\*\*\*LF



4 CARD INSERTION DIRECTION  
RECOMMENDED P.C.B. LAYOUT 3 (MOUNTED SIDE)



4 CARD INSERTION DIRECTION  
RECOMMENDED P.C.B. LAYOUT 4 (MOUNTED SIDE)



www.fciconnect.com		surface 6.4 ISO 1302	tolerance std ISO 406 ISO 1101	projection MM
		TOLERANCES UNLESS OTHERWISE SPECIFIED		
Dr	WENDY CHEN	07/06/95	ANGULAR	size A4
Eng	L.W. LU	07/06/95	LINEAR	Scale 1.000
Chr	JOSEPH HSIA	07/06/95	0° ±2°	ECN N11-0015
Appr	JENN TSAO	07/06/95	Product family	Spec ref RELEASE
		title EJECTOR HEADER ASS'Y 3.3V SMT, TYPE 1/2/3		Rev. J
catalog no		61124		sheet 8 of 8
		CUSTOMER		