



Chipsmall Limited consists of a professional team with an average of over 10 year of expertise in the distribution of electronic components. Based in Hongkong, we have already established firm and mutual-benefit business relationships with customers from,Europe,America and south Asia,supplying obsolete and hard-to-find components to meet their specific needs.

With the principle of “Quality Parts,Customers Priority,Honest Operation,and Considerate Service”,our business mainly focus on the distribution of electronic components. Line cards we deal with include Microchip,ALPS,ROHM,Xilinx,Pulse,ON,Everlight and Freescale. Main products comprise IC,Modules,Potentiometer,IC Socket,Relay,Connector.Our parts cover such applications as commercial,industrial, and automotives areas.

We are looking forward to setting up business relationship with you and hope to provide you with the best service and solution. Let us make a better world for our industry!



Contact us

Tel: +86-755-8981 8866 Fax: +86-755-8427 6832

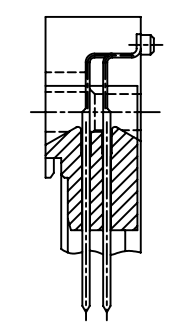
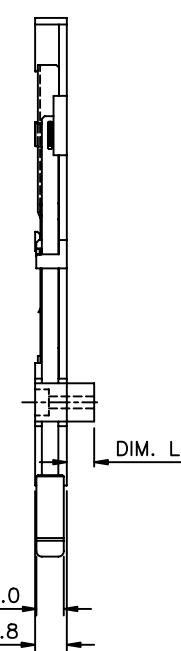
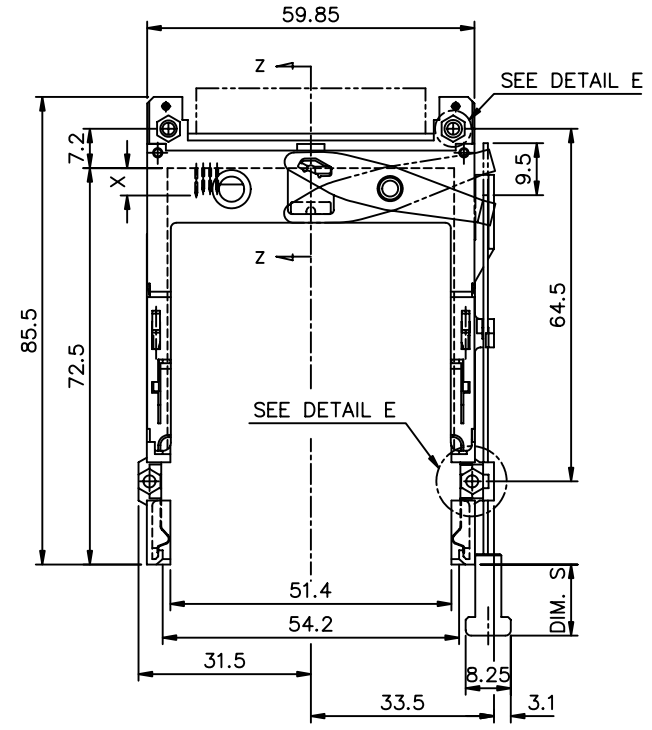
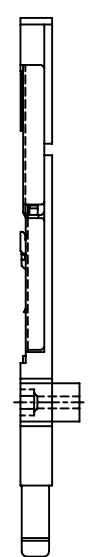
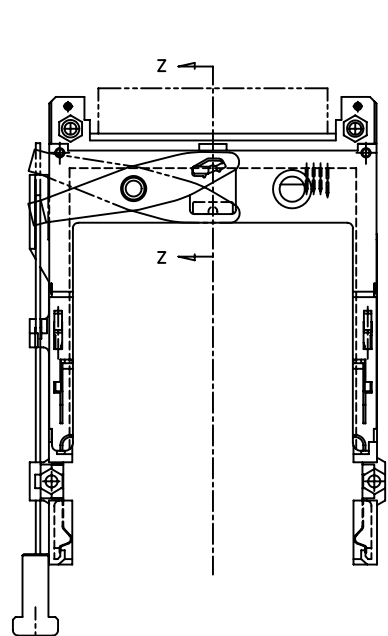
Email & Skype: info@chipsmall.com Web: www.chipsmall.com

Address: A1208, Overseas Decoration Building, #122 Zhenhua RD., Futian, Shenzhen, China

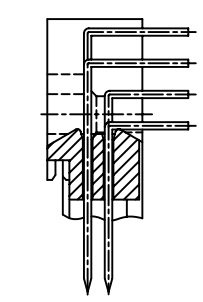


FCI CONFIDENTIAL

PRODUCT NO.
61126-****/****LF



SMT IN LIN

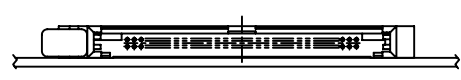


RIGHT ANGLE

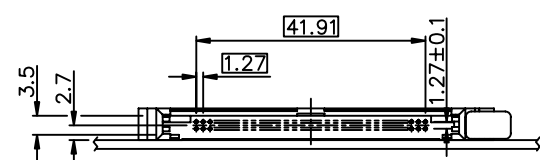
<SEC. Z-Z>

DETAIL E

FOR 61126-****H/****HLF ONLY



ABOVE P.C.B
LEFT PUSH ROD



ABOVE P.C.B
RIGHT PUSH ROD



BELOW P.C.B
RIGHT PUSH ROD



BELOW P.C.B
LEFT PUSH ROD

mat'l. code		surface		tolerance		projection		product family	
		ISO 1302		ISO 406 ISO 101				NARROW BODY EJ HEADER ASS'Y 68POS.	
ltr	ecn no	dr	date	tolerances unless otherwise specified		MM		title	
F	V11056	W L	03/20/01	angles	linear	±0.30		sheet 1 of 4	
F	V12191	W L	08/20/01					61126	
G	T10287	W L	10/19/01	±2'		scale 1:1		A4	
H	N05-0063	WB	03/04/05	dr	WENDY CHEN	07/12/95		type CUSTOMER Drawing	
J	N08-0029	MZ	02/26/08	enr	L.W. LU	07/12/95			
				chr	JOSEPH HSIA	07/12/95			
				appd	JENN TSAO	07/12/95			
sheet	revision	J	J	J	J				
index	sheet	1	2	3	4				

PDM: Rev:J

STATUS Released

Printed: Oct 12, 2010

This document is the property of and embodies CONFIDENTIAL and PROPRIETARY information of FCI. No part of the information shown on this document may be used in any way or disclosed to others without the written consent of FCI. Copyright FCI

FCIconnect.com

FCI CONFIDENTIAL



This document is the property of and embodies CONFIDENTIAL and PROPRIETARY information of FCI. No part of the information shown on this document may be used in any way or disclosed to others without the written consent of FCI. Copyright FCI

PRODUCT NO.
61126-****

LEFT	BELOW	SMT-IL	NONE	61126-602XY	94898-502	95079-00XY	NONE	LAYOUT 2
RIGHT	BELOW	SMT-IL	NONE	61126-502XY	94898-502	95079-10XY	NONE	LAYOUT 2
LEFT	ABOVE	SMT-IL	NONE	61126-102XY	94898-002	95079-10XY	NONE	LAYOUT 1
RIGHT	ABOVE	SMT-IL	NONE	61126-002XY	94898-002	95079-00XY	NONE	LAYOUT 1
RIGHT	ABOVE	SMT-IL	NONE	61126-002XYH ④	94898-002	95079-00XY	93925-001	LAYOUT 1
LEFT	BELOW	R/A	5	61126-650XY	94898-520	95079-05XY	NONE	LAYOUT 4
RIGHT	BELOW	R/A	5	61126-550XY	94898-520	95079-15XY	NONE	LAYOUT 4
LEFT	ABOVE	R/A	5	61126-150XY	94898-020	95079-15XY	NONE	LAYOUT 3
LEFT	ABOVE	R/A	5	61126-150XYH ④	94898-020	95079-15XY	93925-004	LAYOUT 3
RIGHT	ABOVE	R/A	5	61126-050XYH ④	94898-020	95079-05XY	93925-004	LAYOUT 3
RIGHT	ABOVE	R/A	5	61126-050XY	94898-020	95079-05XY	NONE	LAYOUT 3
LEFT	BELOW	R/A	4	61126-640XY	94898-510	95079-04XY	NONE	LAYOUT 4
RIGHT	BELOW	R/A	4	61126-540XY	94898-510	95079-14XY	NONE	LAYOUT 4
LEFT	ABOVE	R/A	4	61126-140XY	94898-010	95079-14XY	NONE	LAYOUT 3
RIGHT	ABOVE	R/A	4	61126-040XY	94898-010	95079-04XY	NONE	LAYOUT 3
LEFT	BELOW	R/A	2	61126-620XY	94898-540	95079-02XY	NONE	LAYOUT 4
RIGHT	BELOW	R/A	2	61126-520XY	94898-540	95079-12XY	NONE	LAYOUT 4
LEFT	ABOVE	R/A	2	61126-120XY	94898-040	95079-12XY	NONE	LAYOUT 3
RIGHT	ABOVE	R/A	2	61126-020XY	94898-040	95079-02XY	NONE	LAYOUT 3
LEFT	BELOW	R/A	NONE	61126-600XY	94898-500	95079-00XY	NONE	LAYOUT 4
RIGHT	BELOW	R/A	NONE	61126-500XY	94898-500	95079-10XY	NONE	LAYOUT 4
LEFT	ABOVE	R/A	NONE	61126-100XY	94898-000	95079-10XY	NONE	LAYOUT 3
LEFT	ABOVE	R/A	NONE	61126-100XYH ④	94898-000	95079-10XY	93925-001	LAYOUT 3
RIGHT	ABOVE	R/A	NONE	61126-000XYH ④	94898-000	95079-00XY	93925-001	LAYOUT 3
RIGHT	ABOVE	R/A	NONE	61126-000XY	94898-000	95079-00XY	NONE	LAYOUT 3
① PUSH ROD LOCATION	② PCB SIDE	SOLDER TAIL	DIM. L STAND-OFF	TO MAKE FINAL ASS'Y PART NUMBER	HEADER PART NUMBER	MECHANISM ASS'Y P/N	HOLD-DOWN (4 PCS)	PCB LAYOUT SEE PAGE 3

NOTE : (CONTIONOUS ON SHEET 3)

① PUSH ROD LOCATION AND PCB SIDE ARE AS APPEARS INSTALLED.

② SOLDER TAIL KEY:
R/A = RIGHT ANGLE PIN-THROUGH-HOLE
SMT-IL = SURFACE MOUNT IN-LINE(SINGLE ROW)

3. X = PUSH ROD LENGTH FROM END OF GUIDERAIL

DIM. S $\begin{cases} C : 13.0 \text{ mm} \\ D : 15.6 \text{ mm} \\ F : 21.0 \text{ mm} \end{cases}$

Y = PUSH ROD COLOR
A : BLACK
H : NATURAL

④ INCLUDES 4 HOLD DOWNS.

⑤ "M" SHOW IT IS LOW COST VERSION,IT IS OPTIONAL, SUCH AS 61126-100MCAHLF IS LOW COST VERSION 61126-100CAHLF IS NOT LOW COST VERSION

mat'l. code		surface ISO 1302		tolerance ISO 406 ISO 101		projection		product family	
ltr	ecn no	dr	date	tolerances unless otherwise specified		title		NARROW BODY EJ HEADER ASS'Y 68POS.	
J				angles	linear	MM		sheet 2of 4 size	
				±2'		scale 1:1		61126 A4	
				dr	WENDY CHEN	07/12/95	FCI	dwg no	
				engr	L.W. LU	07/12/95		61126	
				chr	JOSEPH HSIA	07/12/95		CUSTOMER Drawing	
				appd	JENN TSAO	07/12/95			
sheet index	revision sheet								

FCI CONFIDENTIAL



This document is the property of and embodies CONFIDENTIAL and PROPRIETARY information of FCI. No part of the information shown on this document may be used in any way or disclosed to others without the written consent of FCI. Copyright FCI.

PRODUCT NO.
61126-****LF

LEFT	BELOW	SMT-IL	NONE	61126-602XYLF	94898-502LF	95079-00XY	NONE	LAYOUT 2
RIGHT	BELOW	SMT-IL	NONE	61126-502XYLF	94898-502LF	95079-10XY		
LEFT	ABOVE	SMT-IL	NONE	61126-102XYLF	94898-002LF	95079-10XY	NONE	LAYOUT 1
RIGHT	ABOVE	SMT-IL	NONE	61126-002XYLF	94898-002LF	95079-00XY		
RIGHT	ABOVE	SMT-IL	NONE	61126-002XYHLF④	94898-002LF	95079-00XY	93925-001	
LEFT	BELOW	R/A	5	61126-650XYLF	94898-520LF	95079-05XY	NONE	LAYOUT 4
RIGHT	BELOW	R/A	5	61126-550XYLF	94898-520LF	95079-15XY		
LEFT	ABOVE	R/A	5	61126-150XYLF	94898-020LF	95079-15XY	NONE	LAYOUT 3
LEFT	ABOVE	R/A	5	61126-150XYHLF④	94898-020LF	95079-15XY		
RIGHT	ABOVE	R/A	7.7	61126-070XYLF ⚠	94898-077MLF	95079-07XY	NONE	
RIGHT	ABOVE	R/A	5	61126-050XYHLF④	⚠ 94898-020MLF	95079-05XY	93925-004	
RIGHT	ABOVE	R/A	5	61126-050XYLF	94898-020LF	95079-05XY	NONE	LAYOUT 4
LEFT	BELOW	R/A	4	61126-640XYLF	94898-510LF	95079-04XY		
RIGHT	BELOW	R/A	4	61126-540XYLF	94898-510LF	95079-14XY	NONE	LAYOUT 3
LEFT	ABOVE	R/A	4	61126-140XYLF	94898-010LF	95079-14XY		
RIGHT	ABOVE	R/A	4	61126-040XYLF	94898-010LF	95079-04XY	NONE	LAYOUT 4
LEFT	BELOW	R/A	2	61126-620XYLF	94898-540LF	95079-02XY		
RIGHT	BELOW	R/A	2	61126-520XYLF	94898-540LF	95079-12XY	NONE	LAYOUT 3
LEFT	ABOVE	R/A	2	61126-120XYLF	94898-040LF	95079-12XY		
RIGHT	ABOVE	R/A	2	61126-020XYLF	94898-040LF	95079-02XY	NONE	LAYOUT 4
LEFT	BELOW	R/A	NONE	61126-600XYLF	94898-500LF	95079-00XY		
RIGHT	BELOW	R/A	NONE	61126-500XYLF	94898-500LF	95079-10XY	NONE	LAYOUT 3
LEFT	ABOVE	R/A	NONE	61126-100XYLF	94898-000LF	95079-10XY		
LEFT	ABOVE	R/A	NONE	61126-100XYHLF④	94898-000LF	95079-10XY	93925-001	LAYOUT 3
RIGHT	ABOVE	R/A	NONE	61126-000XYHLF④	94898-000LF	95079-00XY	93925-001	
RIGHT	ABOVE	R/A	NONE	61126-000XYLF	94898-000LF	95079-00XY	NONE	
① PUSH ROD LOCATION	② PCB SIDE	SOLDER TAIL	DIM. L STAND-OFF	TO MAKE FINAL ASS'Y PART NUMBER	HEADER PART NUMBER	MECHANISM ASS'Y P/N	HOLD-DOWN (4 PCS)	PCB LAYOUT SEE PAGE 3

NOTE: (CONTIONOUS FROM SHEET 2)

- IF LEAD FREE P/N. THE HOUSING WILL WITHSTAND EXPOSURE TO 260°C PEAK TEMPERATURE
SOLDER TAIL : SMT-IL, SMT-STG CAN RESIST 40 SECONDS IN A CONVECTION, INFRA-RED OR VAPOR PHASE REFLOW OVEN.
SOLDER TAIL : R/A CAN RESIST 10 SECONDS IN A WAVE SOLDER APPLICATION WITH A 1.00MM MINIMUM THICK CIRCUIT BOARD.
- IF LEAD FREE P/N.THE PRODUCT MEETS EUROPEAN UNION DIRECTIVES AND OTHER COUNTRY REGULATIONS AS DISCRIBLED IN GS-22-008
- LEAD FREE P/N PACKAGING MEETS GS-14-920 SPECIFICATION

mat'l. code				surface	tolerance	projection	product family
				ISO 1302	ISO 406 ISO 1101		
ltr	ecn no	dr	date	tolerances unless otherwise specified			title
J				angles	linear	±0.30	NARROW BODY EJ HEADER ASS'Y 68POS.
				±2'		scale 1:1	
		dr	WENDY CHEN	07/12/95		dwg no	sheet 3of 4 size
		enr	L.W. LU	07/12/95		61126	A4
		chr	JOSEPH HSIA	07/12/95		type	CUSTOMER Drawing
		appd	JENN TSAO	07/12/95			
sheet index	revision sheet						

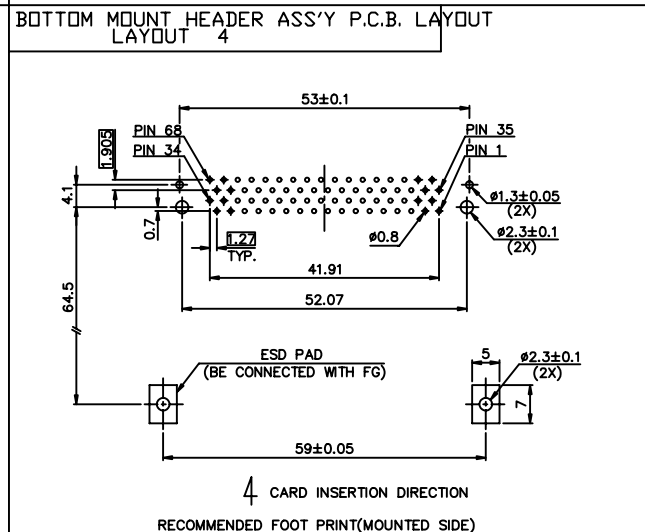
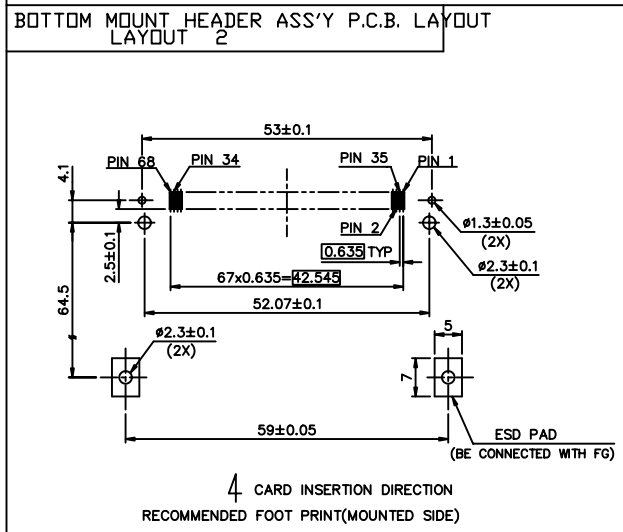
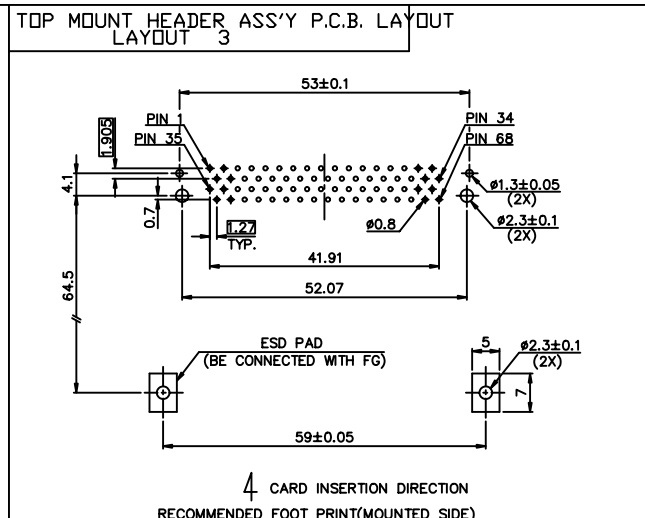
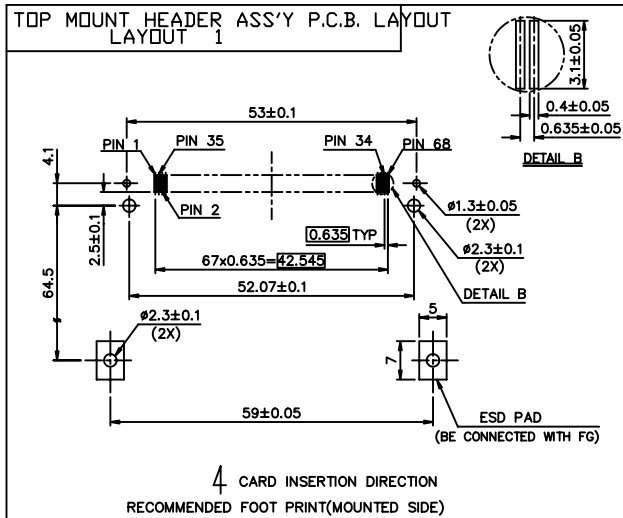
PDM: Rev:J

STATUS: Released

Printed: Oct 12, 2010

FCI CONFIDENTIAL

PRODUCT NO.
61126-****/****LF



mat'l. code		surface		tolerance		projection		product family	
		ISO 1302		ISO 406 ISO 101					
ltr	ecn no	dr	date	tolerances unless otherwise specified		title			
J				angles linear ±0.30		MM		NARROW BODY EJ HEADER ASS'Y 68POS.	
				±2'		scale 1:1			
		dr	WENDY CHEN	07/12/95			dwg no		sheet 4 of 4
		enr	L.W. LU	07/12/95			61126		size A4
		chr	JOSEPH HSIA	07/12/95			type		CUSTOMER Drawing
		appd	JENN TSAO	07/12/95					
sheet index	revision sheet								

This document is the property of and embodies CONFIDENTIAL and PROPRIETARY information of FCI. No part of the information shown on this document may be used in any way or disclosed to others without the written consent of FCI. Copyright FCI.

FCI connect.com