



Chipsmall Limited consists of a professional team with an average of over 10 year of expertise in the distribution of electronic components. Based in Hongkong, we have already established firm and mutual-benefit business relationships with customers from,Europe,America and south Asia,supplying obsolete and hard-to-find components to meet their specific needs.

With the principle of “Quality Parts,Customers Priority,Honest Operation,and Considerate Service”,our business mainly focus on the distribution of electronic components. Line cards we deal with include Microchip,ALPS,ROHM,Xilinx,Pulse,ON,Everlight and Freescale. Main products comprise IC,Modules,Potentiometer,IC Socket,Relay,Connector.Our parts cover such applications as commercial,industrial, and automotives areas.

We are looking forward to setting up business relationship with you and hope to provide you with the best service and solution. Let us make a better world for our industry!



## Contact us

Tel: +86-755-8981 8866 Fax: +86-755-8427 6832

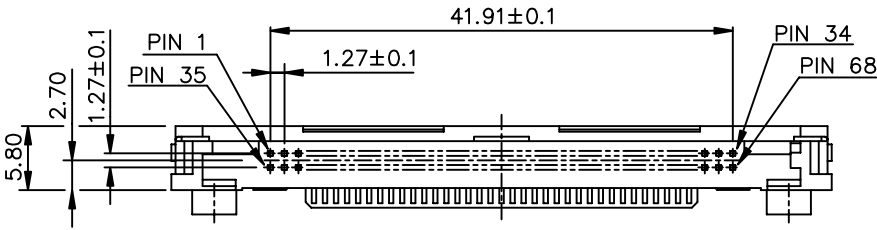
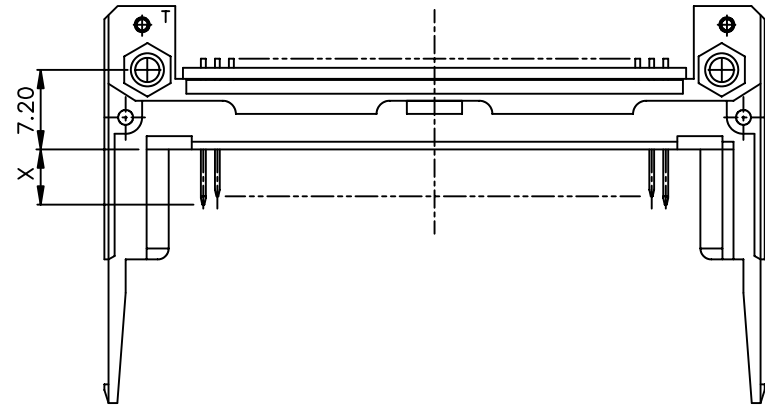
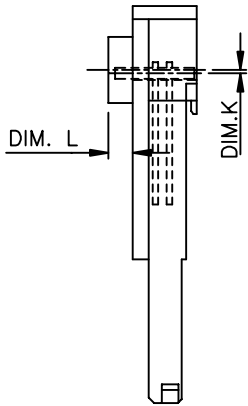
Email & Skype: info@chipsmall.com Web: www.chipsmall.com

Address: A1208, Overseas Decoration Building, #122 Zhenhua RD., Futian, Shenzhen, China



Tous droits strictement réservés. Reproduction ou communication à des tiers sans autorisation écrite du propriétaire. Droits de reproduction BERG ELECTRONICS by

All rights strictly reserved. Reproduction or issue to third parties in any form without written authority from the proprietor. Copyright BERG ELECTRONICS by



61127- □ □ □ □ □ □

LF: LEAD FREE

- B: FOR BOSCH-TELECOM
- N: FOR CANON
- V: FOR VALLEY GREEN
- C: FOR CISCO

- STAND-OFF 00 : 0.0 mm
- 20 : 2.0 mm
- 22 : 2.2 mm
- 30 : 3.0 mm
- 40 : 4.0 mm
- 43 : 4.3 mm
- 50 : 5.0 mm

- UPPER DECK : 5
- LOWER DECK : 0
- TOP MOUNT : 0
- BOTTOM MOUNT : 5

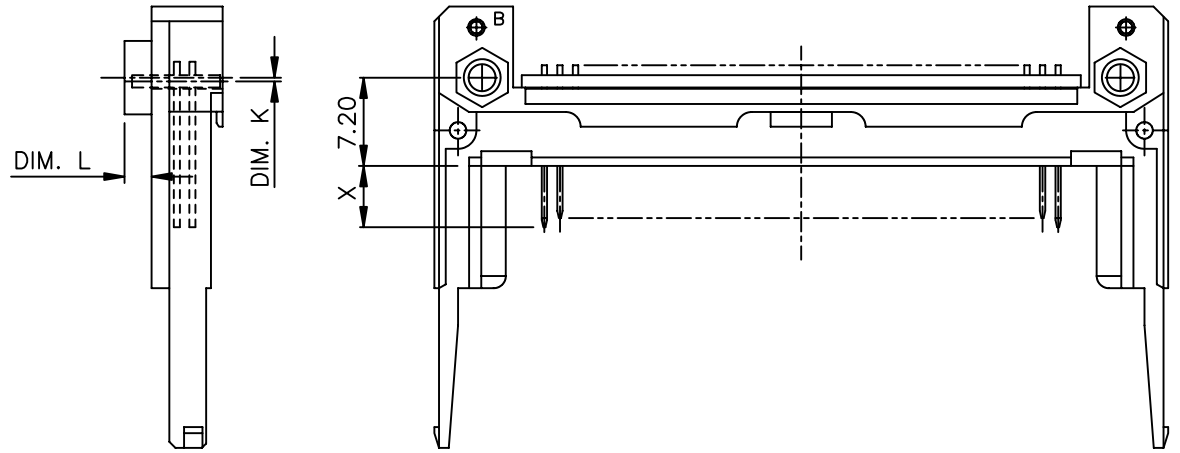
DIM"X"			
PIN NUMBER	4.25±0.1	3.5±0.1	5.0±0.1
	OTHERS		36,67

61127-0522C/0522CLF	0	6.55
61127-0543C/0543CLF	0	6.55
61127-0550C/0550CLF	0	6.55
61127-0043C/0043CLF	4.3	-0.3
61127-0050C/0050CLF	5	-0.3
61127-0022C/0022CLF	2.2	-0.3
61127-0022B/0022BLF	2.2	-0.3
61127-0022/0022LF	2.2	-0.3
61127-0522/0522LF	0	6.55
61127-0543/0543LF	0	6.55
61127-0550/0550LF	0	6.55
61127-0500/0500LF	0	10.0
61127-0100/0100LF	0	2.15
61127-0050N/0050NLF	5	-0.3
61127-0043/0043LF	4.3	-0.3
61127-0050/0050LF	5	-0.3
61127-0022V/0022VLF	2.2	2.15
PRODUCT NO.	DIM.L	DIM.K±0.20

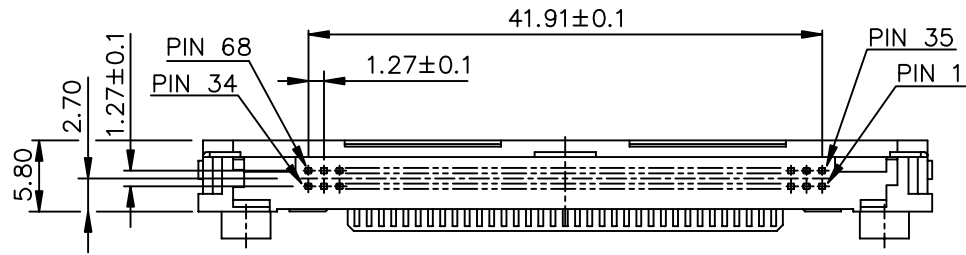
mat'l code		tolerance unless otherwise specified		CUSTOMER COPY		FCI		www.fciconnect.com	
rev.	ecn no.	dr	date	linear	±0.30	projection	title 3.3V EJECTOR HEADER ASS'Y (ABOVE BOARD)		
J	N04-0030	P	H 07/21/04				product family PCMCIA code		
K	N05-0140	W	B 05/31/05	angles	± 2°		size	dwg no. 61127	
D	T00131	W	L 05/02/00			scale	A3 1 of 5		
E	T10263	W	L 10/16/01	dr	WENDY CHEN	07/11/95	sheet		
F	T10321	W	L 11/16/01	enr	L.W. LU	07/11/95	1 of 5		
G	T20036	W	L 01/30/02	chr	JOSEPH HSIA	07/11/95			
H	T03-0216	W	L 06/09/03	appd	JENN TSAO	07/11/95			
sheet	revision	K	J	K	J	J			
index	sheet	1	2	3	4	5			

Tous droits strictement réservés. Reproduction ou communication à des tiers sans autorisation écrite du propriétaire.  
 Droits de reproduction BERG ELECTRONICS by

All rights strictly reserved. Reproduction or issue to third parties in any form or by any means without written authority from the proprietor.  
 Copyright BERG ELECTRONICS by



DIM"X"			
PIN NUMBER	4.25±0.1	3.5±0.1	5.0±0.1
	OTHERS	36,67	1,17,34 35,51,68



61127-5022/5022LF	2.2	-0.3
61127-5522/5522LF	0	6.55
61127-5543/5543LF	0	6.55
61127-5550/5550LF	0	6.55
61127-5500/5500LF	0	10.0
61127-5043/5043LF	4.3	-0.3
61127-5050/5050LF	5	-0.3
PRODUCT NO.	DIM.L	DIM.K±0.20

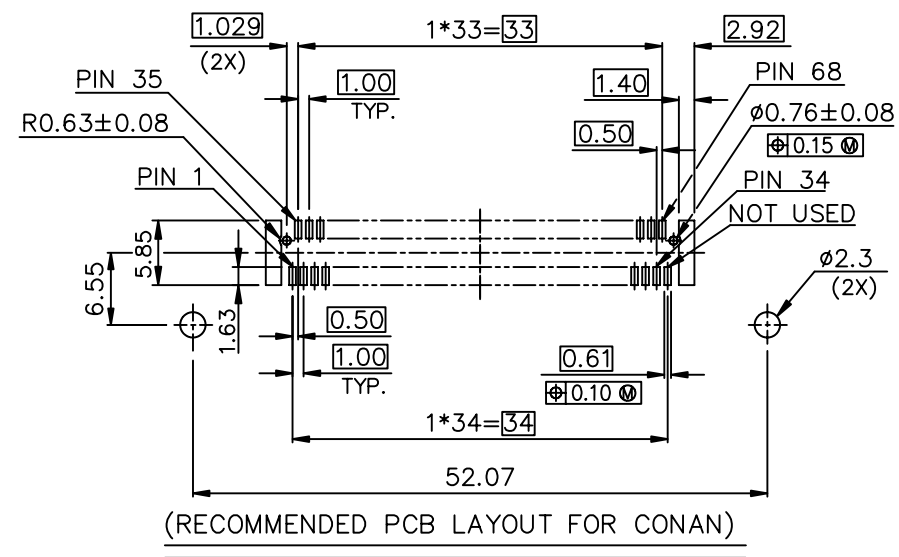
mat'l code		tolerance unless otherwise specified		CUSTOMER COPY		 www.fciconnect.com			
rev.	ecn no.	dr	date	linear	±0.30	projection		title	68POS. EJECTOR HEADER HEADER ASS'Y
J									
				angles	± 2°			product family	PMGIA
				dr	WENDY CHEN	10/16/01	unit	mm/inch	code
				enr	MINERVA WANG	10/16/01	size	A3	sheet
				chr	MINERVA WANG	10/16/01	scale	2:1	2 OF
				appd	JENN TSAO	10/16/01			
sheet index	revision								



Tous droits strictement réservés. Reproduction ou communication à des tiers sans autorisation écrite du propriétaire.  
 Droits de reproduction BERG ELECTRONICS by

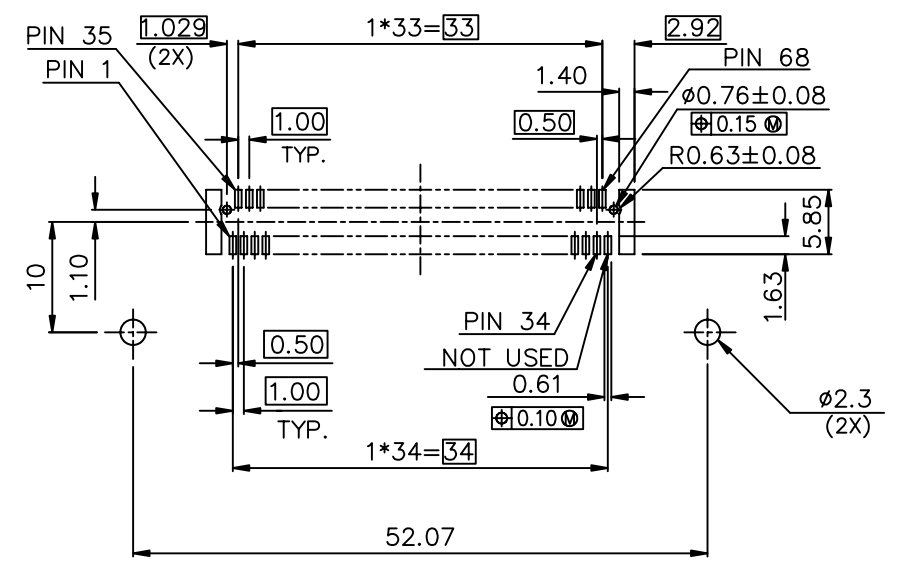
FOR P/N: 61127-0522/0543/0550/0522LF/0543LF/0550LF

FOR P/N: 61127-0522C/0543C/0550C/0522CLF/0543CLF/0550CLF



(RECOMMENDED PCB LAYOUT FOR CONAN)

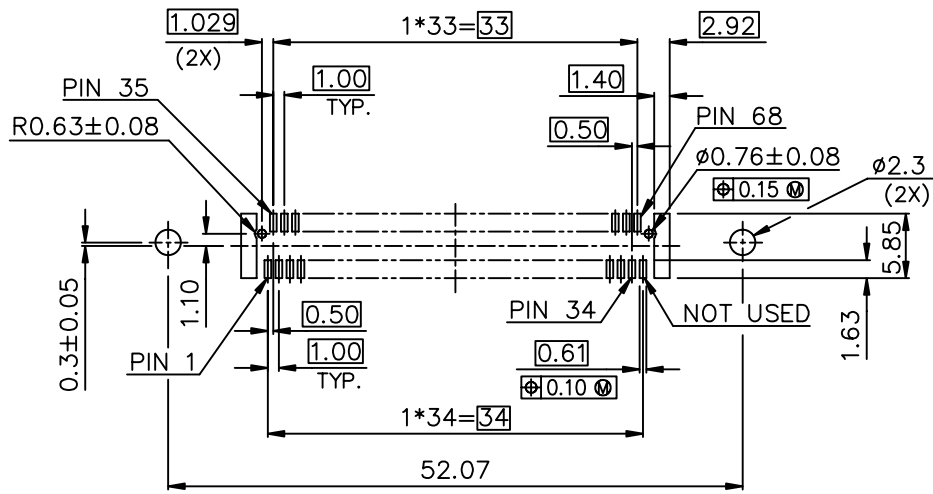
FOR P/N: 61127-0500/0500LF



(RECOMMENDED PCB LAYOUT FOR CONAN)


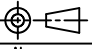
FOR P/N: 61127-0022/0043/0050/0022B/0050N/0022C/0043C/0050C

FOR P/N: 61127-0022LF/0043LF/0050LF/0022BLF/0050NLF/0022CLF/0043C/0050CLF



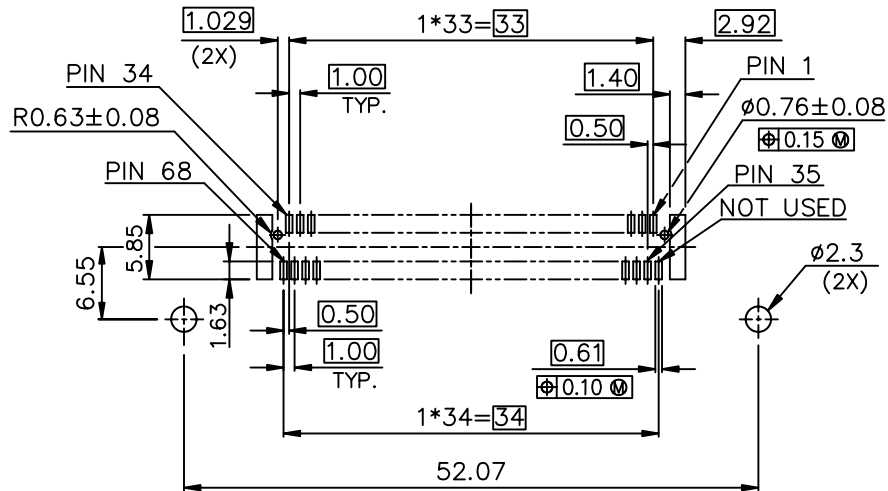
(RECOMMENDED PCB LAYOUT FOR CONAN)

All rights strictly reserved. Reproduction or issue to third parties in any form without written authority from the proprietor.  
 Copyright BERG ELECTRONICS by

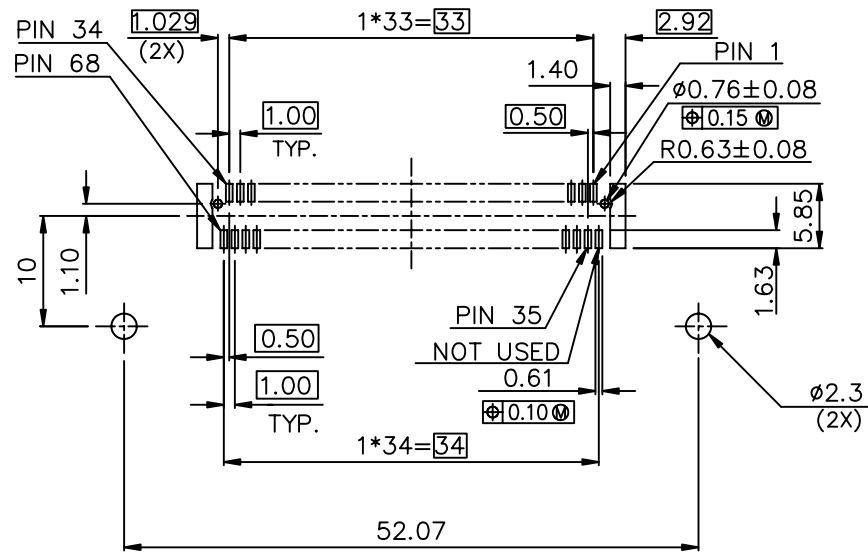
mat'l code	tolerance unless otherwise specified	CUSTOMER COPY	 www.fciconnect.com
rev. ecn no. dr date	linear ±0.10	projection	
K	angles ± 2°		title 68POS. EJECTOR HEADER HEADER ASS'Y
	dr WENDY CHEN 05/02/00	unit mm/inch	product family PCMCIA code
	enr JOSEPH HSIA 05/02/00	scale 2:1	size A3 dwg no. 61127 sheet 3 of 3
	chr JOSEPH HSIA 05/02/00		
	appd JOSEPH HSIA 05/02/00		
sheet index	revision sheet		

FOR P/N: 61127-5522/5543/5550/5522LF/5543LF/5550LF

FOR P/N: 61127-5500/5500LF

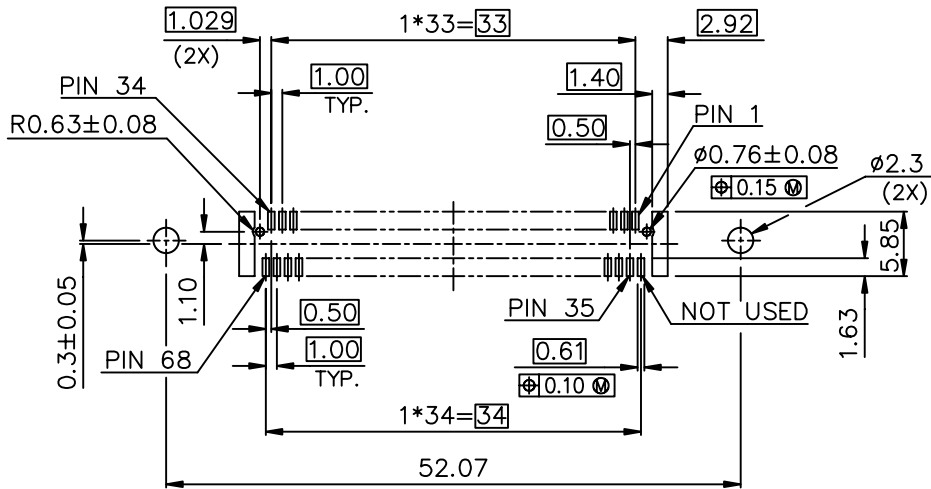


(RECOMMENDED PCB LAYOUT FOR CONAN)


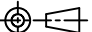


(RECOMMENDED PCB LAYOUT FOR CONAN)

FOR P/N: 61127-5022/5043/5050/5022LF/5043LF/5050LF



(RECOMMENDED PCB LAYOUT FOR CONAN)

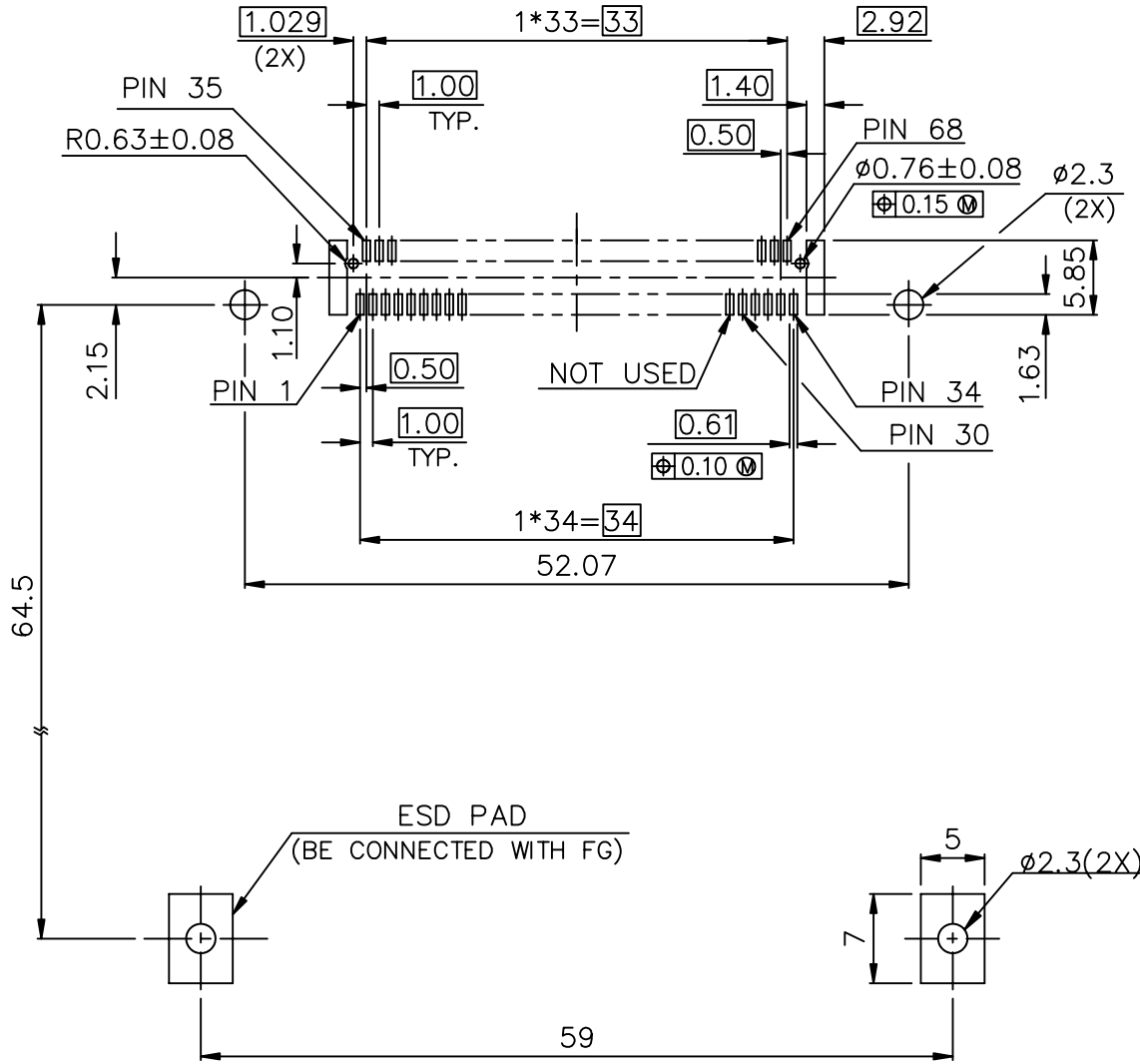
mat'l code		tolerance unless otherwise specified		CUSTOMER COPY		 www.fciconnect.com	
rev.	ecn no.	dr	date	linear	±0.10	projection	title
J				angles	± 2°		68POS. EJECTOR HEADER HEADER ASS'Y
		dr	WENDY CHEN 05/02/00	unit	mm/inch	product family	PCMCIA
		enr	JOSEPH HSIA 05/02/00	size	dwg no.	code	
		chr	JOSEPH HSIA 05/02/00	scale	2:1	61127	sheet 4 of 4
		appd	JOSEPH HSIA 05/02/00				
sheet index	revision						


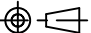
Tous droits strictement réservés. Reproduction ou communication à des tiers sans autorisation écrite du propriétaire. Droits de reproduction BERG ELECTRONICS by

All rights strictly reserved. Reproduction or issue to third parties in any form without written authority from the proprietor. Copyright BERG ELECTRONICS by



FOR P/N: 61127-0022V/0022VLF



mat'l code		tolerance unless otherwise specified		CUSTOMER COPY		 www.fciconnect.com	
rev.	ecn no.	dr	date	linear	±0.1	projection	title
J				angles			68POS. EJECTOR HEADER HEADER ASS'Y
		dr	WENDY CHEN	01/30/02	unit	product family	PCMCIA
		enr	MINERVA WANG	01/30/02	mm/inch	code	
		chr	MINERVA WANG	01/30/02	scale	size	dwg no.
		appd	JENN TSAO	01/30/02		A3	61127
sheet	revision						sheet
index	sheet						5 of

Tous droits strictement réservés. Reproduction ou communication à des tiers sans autorisation écrite du propriétaire. BERG ELECTRONICS est la propriété de BERG ELECTRONICS. Droits de reproduction BERG ELECTRONICS by

All rights strictly reserved. Reproduction or issue to third parties in any form without written authority from the proprietor. BERG ELECTRONICS is the property of BERG ELECTRONICS. Copyright BERG ELECTRONICS by

