



Chipsmall Limited consists of a professional team with an average of over 10 year of expertise in the distribution of electronic components. Based in Hongkong, we have already established firm and mutual-benefit business relationships with customers from,Europe,America and south Asia,supplying obsolete and hard-to-find components to meet their specific needs.

With the principle of "Quality Parts,Customers Priority,Honest Operation,and Considerate Service",our business mainly focus on the distribution of electronic components. Line cards we deal with include Microchip,ALPS,ROHM,Xilinx,Pulse,ON,Everlight and Freescale. Main products comprise IC,Modules,Potentiometer,IC Socket,Relay,Connector.Our parts cover such applications as commercial,industrial, and automotives areas.

We are looking forward to setting up business relationship with you and hope to provide you with the best service and solution. Let us make a better world for our industry!



## Contact us

Tel: +86-755-8981 8866 Fax: +86-755-8427 6832

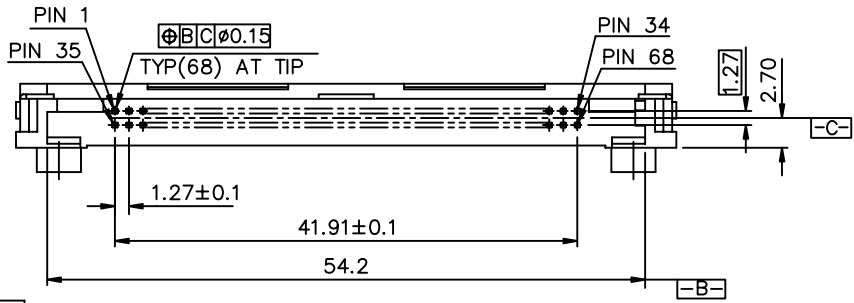
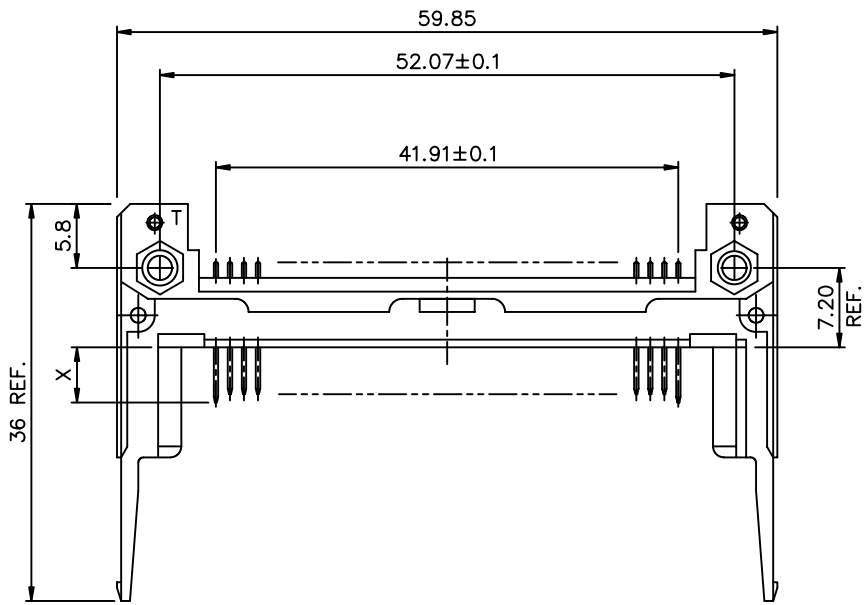
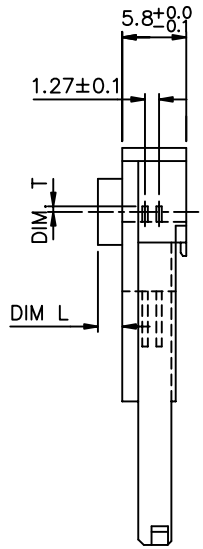
Email & Skype: [info@chipsmall.com](mailto:info@chipsmall.com) Web: [www.chipsmall.com](http://www.chipsmall.com)

Address: A1208, Overseas Decoration Building, #122 Zhenhua RD., Futian, Shenzhen, China



Tous droits strictement réservés. Reproduction ou communication à des tiers sans autorisation écrite du propriétaire. Droits de reproduction BERG ELECTRONICS by

All rights strictly reserved. Reproduction or issue to third parties in any form without written authority from the proprietor. Copyright BERG ELECTRONICS by



- 61128- □ □ □ □ LF
- LEAD FREE
- B: FOR BOSCH-TELECOM
  - N: FOR CANON
  - V: FOR VALLEY GREEN
  - C: FOR CISCO
- STAND-OFF
- |    |          |
|----|----------|
| 00 | : 0.0 mm |
| 20 | : 2.0 mm |
| 22 | : 2.2 mm |
| 30 | : 3.0 mm |
| 40 | : 4.0 mm |
| 43 | : 4.3 mm |
| 50 | : 5.0 mm |
- UPPER DECK : 5
- LOWER DECK : 0
- TOP MOUNT : 0
- BOTTOM MOUNT : 5

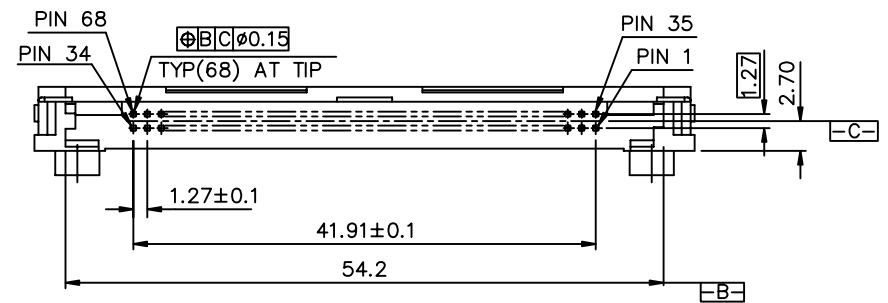
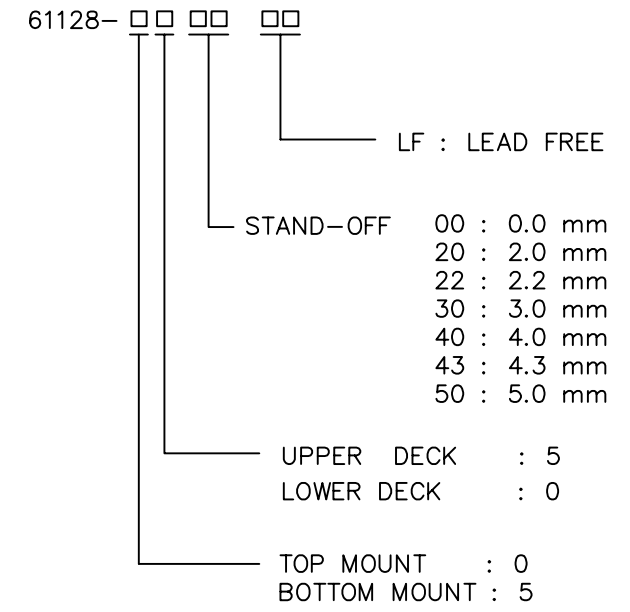
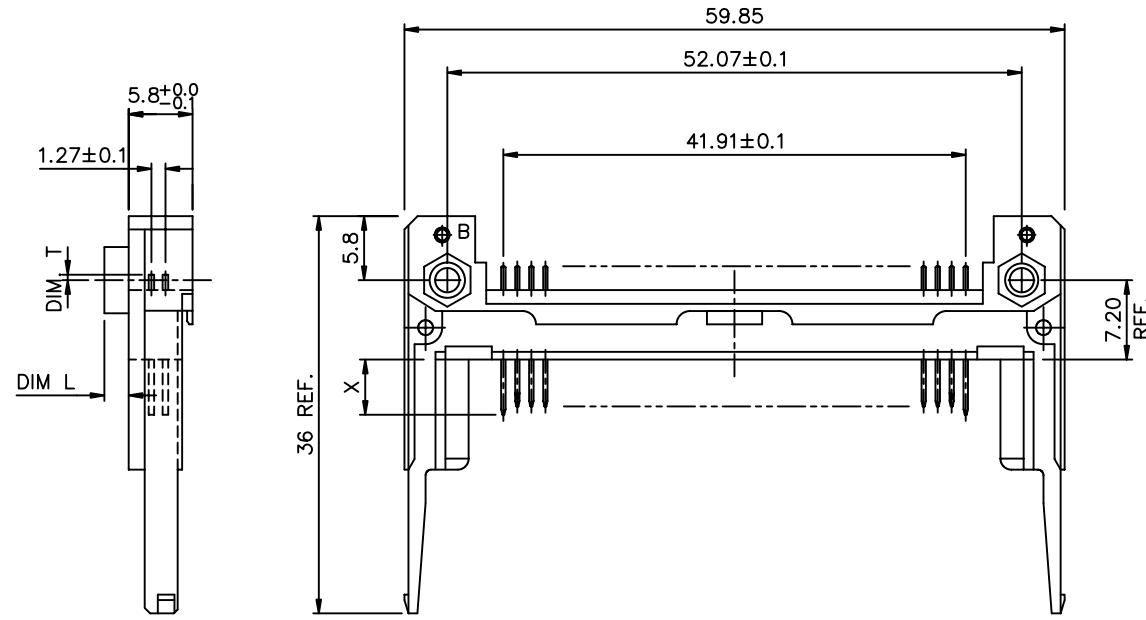
PRODUCT NO	DIM. L	DIM. T±0.10
61128-0543C/0543CLF	0.0	7.5
61128-0050C/0050CLF	5.0	0.6
61128-0043C/0043CLF	4.3	0.6
61128-0022C/0022CLF	2.2	0.6
61128-0022B/0022BLF	2.2	0.6
61128-0022/0022LF	2.2	0.6
61128-0543/0543LF	0.0	7.5
61128-0500/0500LF	0.0	10.9
61128-0100/0100LF	0.0	3.0
61128-0050N/0050NLF	5.0	0.6
61128-0040/0040LF	4.0	0.6
61128-0043/0043LF	4.3	0.6
61128-0050/0050LF	5.0	0.6
61128-0022V/0022VLF	2.2	3.0

DIM "X"			
PIN NUMBER	4.25±0.1	3.5±0.1	5.0±0.1
	OTHERS	36,67	1,17,34

mat'l code		tolerance unless otherwise specified		CUSTOMER COPY		 www.fciconnect.com		
rev.	ecn no.	dr	date	linear	±0.30	projection	title	
K	T03-0389	W L	09/10/03					
L	N04-0030	P H	07/21/04	angles	± 2'		68POS. EJECTOR HEADER HEADER ASS'Y	
M	N05-0140	W B	05/31/05					
		dr	WENDY CHEN	07/11/95	unit	product family		
		enr	L.W. LU	07/11/95	mm/inch	PMCA	code	
		chr	JOSEPH HSIA	07/11/95	size	dwg no.	sheet	
		appd	JENN TSAO	07/11/95	scale	61128		1 of 2
sheet	revision	M	L					
index	sheet	1	2					

Tous droits strictement réservés. Reproduction ou communication à des tiers sans autorisation écrite du propriétaire.  
 Droits de reproduction BERG ELECTRONICS by

All rights strictly reserved. Reproduction or issue to third parties in any form without written authority from the proprietor.  
 Copyright BERG ELECTRONICS by



DIM "X"			
PIN NUMBER	4.25±0.1	3.5±0.1	5.0±0.1
OTHERS	36,67	1,17,34	35,51,68

61128-5022/5022LF	2.2	0.6
61128-5543/5543LF	0.0	7.5
61128-5500/5500LF	0.0	10.9
61128-5043/5043LF	4.3	0.6
61128-5050/5050LF	5.0	0.6
PRODUCT NO	DIM. L	DIM. T±0.10

mat'l code	tolerance unless otherwise specified	CUSTOMER COPY	www.fciconnect.com	
rev. ecn no. dr date	linear ±0.30	projection	title 68POS. EJECTOR HEADER HEADER ASS'Y	
L	angles ± 2'		product family PCMDA code	
dr WENDY CHEN 10/16/01	unit mm/inch	size A3	dwg no. 61128	sheet 2 of
enr MINERVA WANG 10/16/01	scale 2:1			
chr MINERVA WANG 10/16/01				
appd JENN TSAO 10/16/01				
sheet revision index sheet				