



Chipsmall Limited consists of a professional team with an average of over 10 year of expertise in the distribution of electronic components. Based in Hongkong, we have already established firm and mutual-benefit business relationships with customers from,Europe,America and south Asia,supplying obsolete and hard-to-find components to meet their specific needs.

With the principle of “Quality Parts,Customers Priority,Honest Operation,and Considerate Service”,our business mainly focus on the distribution of electronic components. Line cards we deal with include Microchip,ALPS,ROHM,Xilinx,Pulse,ON,Everlight and Freescale. Main products comprise IC,Modules,Potentiometer,IC Socket,Relay,Connector.Our parts cover such applications as commercial,industrial, and automotives areas.

We are looking forward to setting up business relationship with you and hope to provide you with the best service and solution. Let us make a better world for our industry!



Contact us

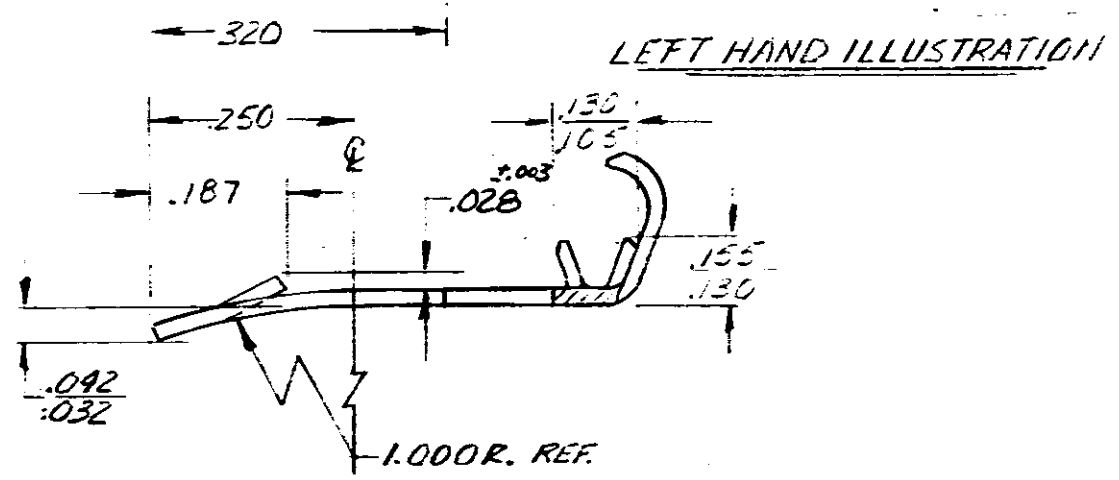
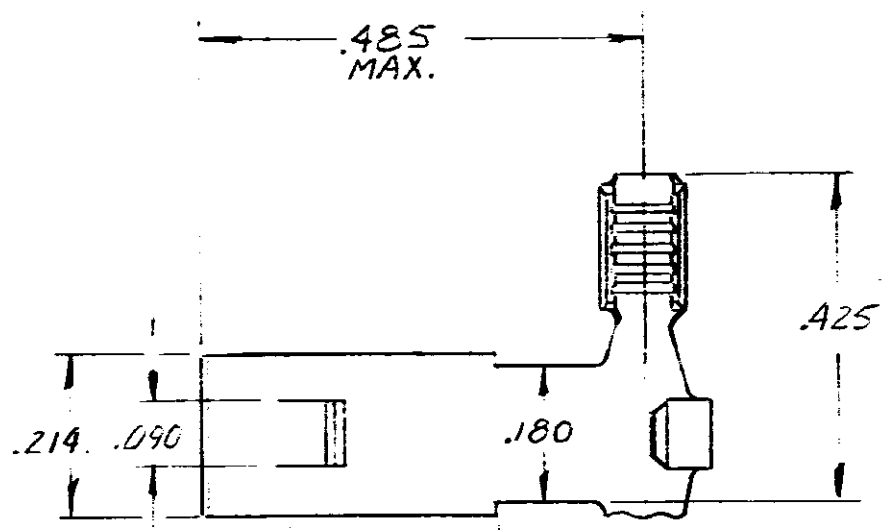
Tel: +86-755-8981 8866 Fax: +86-755-8427 6832

Email & Skype: info@chipsmall.com Web: www.chipsmall.com

Address: A1208, Overseas Decoration Building, #122 Zhenhua RD., Futian, Shenzhen, China



NUMBER
61148



LEFT HAND ILLUSTRATION

WIRE SIZE CMA.	INSULATION RANGE	MATERIAL AND FINISH	TERMINAL NO
700-2400	.095-.115	.018 PHOS. BRONZE - NONE	61148-1
		.018 PHOS. BRONZE - FIN	61148-2

CONTINUES STRIP ON REELS

DIMENSIONS IN INCHES. DO NOT SCALE PRINT.

J	OBsolete - 2 M-1640	MF	BY	4-1-67
H	RELEASED P.A.K	RLT	BY	7-7-67
G	REMOVED STOCK A-3587	BY		7/14/67
F	REVISED PER 2478	BB	ONE	8-7-67
E	REVISED PER 2431	BB	J.C.S	5-29-67
D	REVISED PRINT DIST.	BB	8/4	7-1-67
C	REVERSED CH.S.N NPS.	EMP	8/10/67	
B	REVISED PLATING	EMP	8/10/67	
A	ADDED .092 .032	M75E EMP	8-7-67	
C	RELEASED	M893 EMP	8-7-67	
ATR	REVISION RECORD	DR	CHK	DATE
DR	1-26-67 EM FORTONAVAGE	DE	S.F. NRP	1-31-67
CHK	6-7-67	DE	C.H. Temple	11/3/67

©1967 BY AMP INCORPORATED. ALL RIGHTS RESERVED. AMP PRODUCTS COVERED BY PATENTS AND/OR PATENTS PENDING.

CUSTOMER COPY
REFERENCE ONLY

MATERIAL AND FINISH



AMP INCORPORATED
HARRISBURG, PENNA.

WIRE — RANGE — INSULATION

CLASS

TOLERANCE EXCEPT AS NOTED ± .015

SCALE ± 1°

TYPE

LOC AF

NO 61148

REV J

NAME
AMPLIVAR BRUSH CONTACT