



Chipsmall Limited consists of a professional team with an average of over 10 year of expertise in the distribution of electronic components. Based in Hongkong, we have already established firm and mutual-benefit business relationships with customers from,Europe,America and south Asia,supplying obsolete and hard-to-find components to meet their specific needs.

With the principle of “Quality Parts,Customers Priority,Honest Operation,and Considerate Service”,our business mainly focus on the distribution of electronic components. Line cards we deal with include Microchip,ALPS,ROHM,Xilinx,Pulse,ON,Everlight and Freescale. Main products comprise IC,Modules,Potentiometer,IC Socket,Relay,Connector.Our parts cover such applications as commercial,industrial, and automotives areas.

We are looking forward to setting up business relationship with you and hope to provide you with the best service and solution. Let us make a better world for our industry!



Contact us

Tel: +86-755-8981 8866 Fax: +86-755-8427 6832

Email & Skype: info@chipsmall.com Web: www.chipsmall.com

Address: A1208, Overseas Decoration Building, #122 Zhenhua RD., Futian, Shenzhen, China

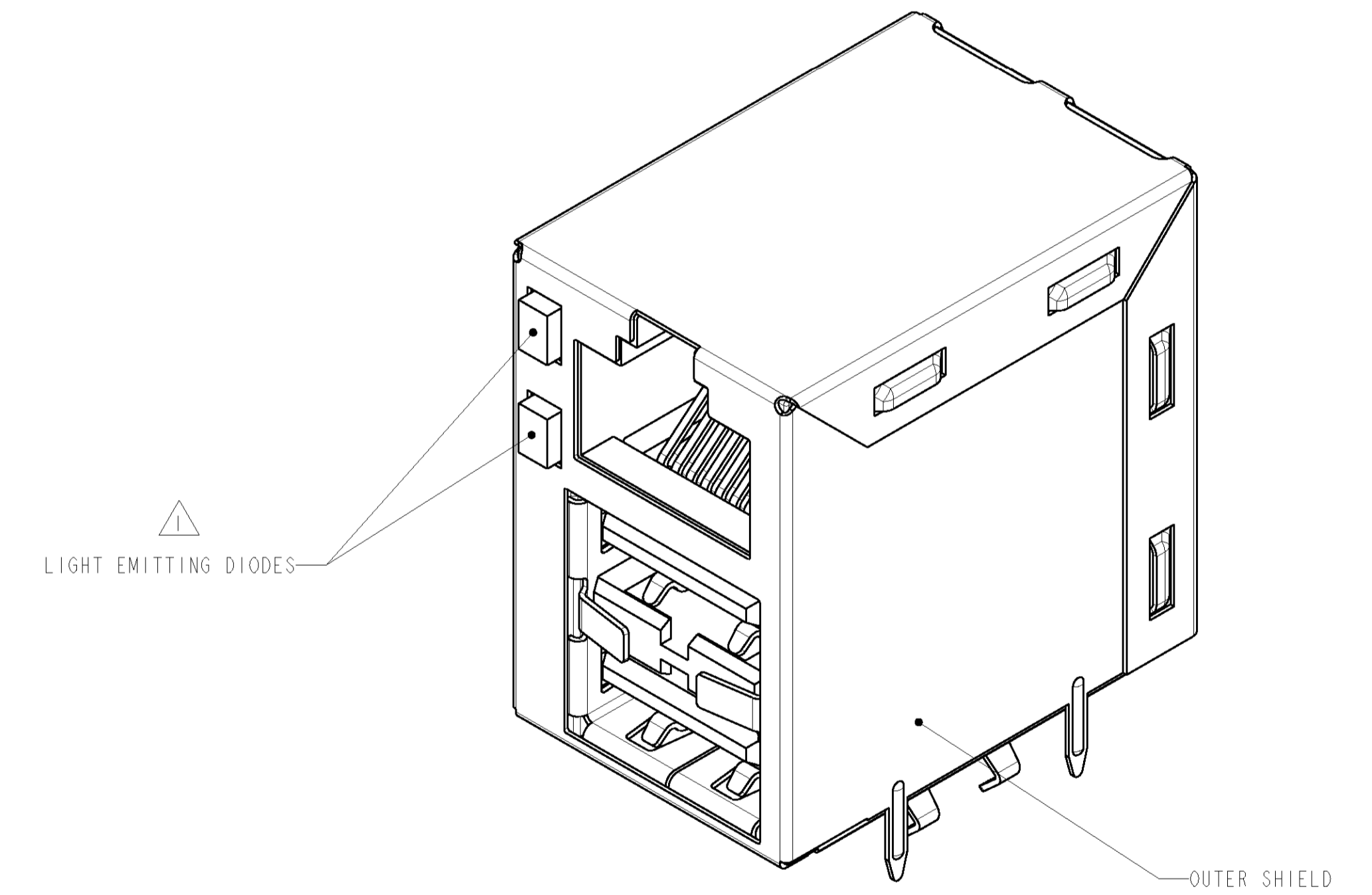
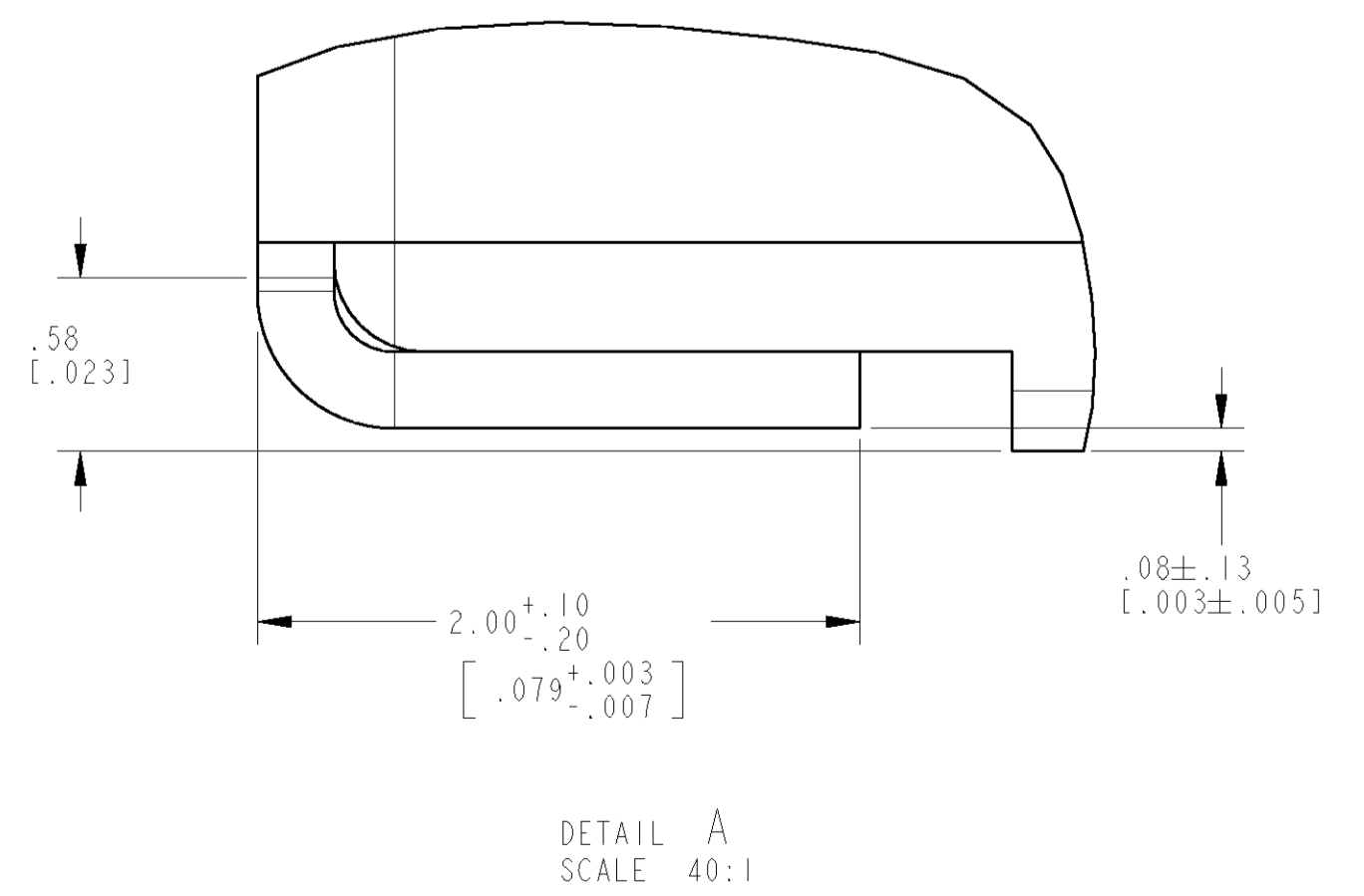
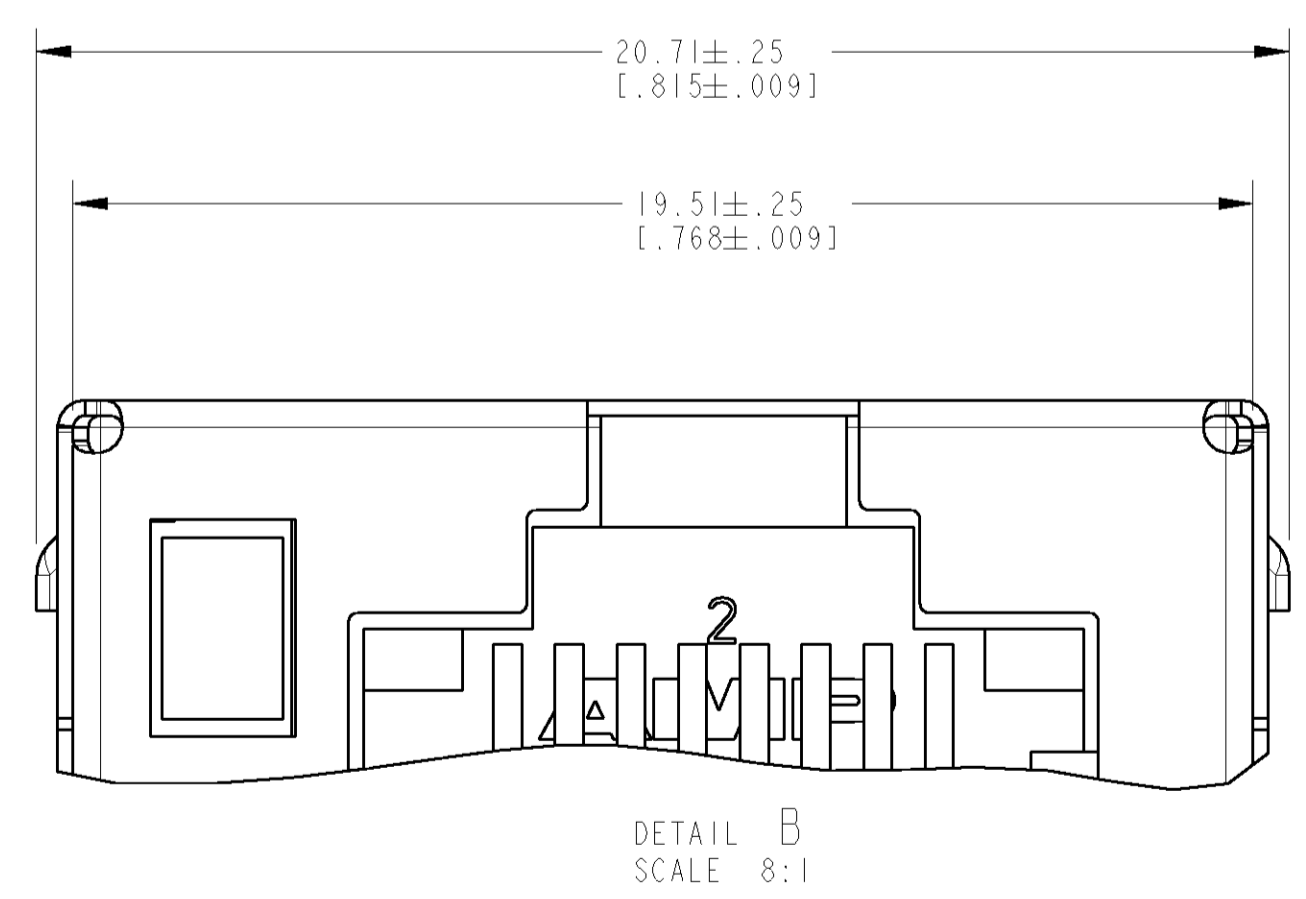
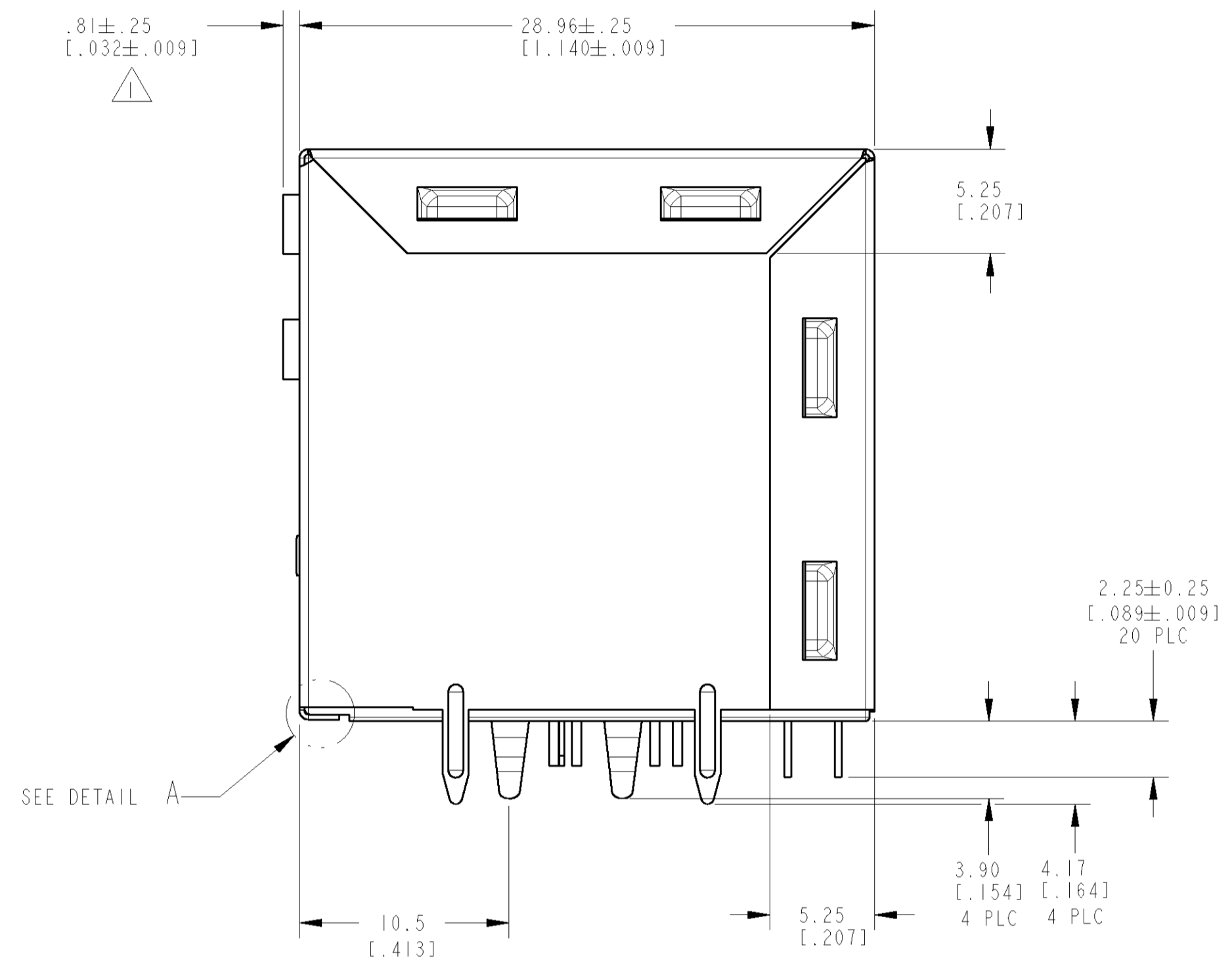
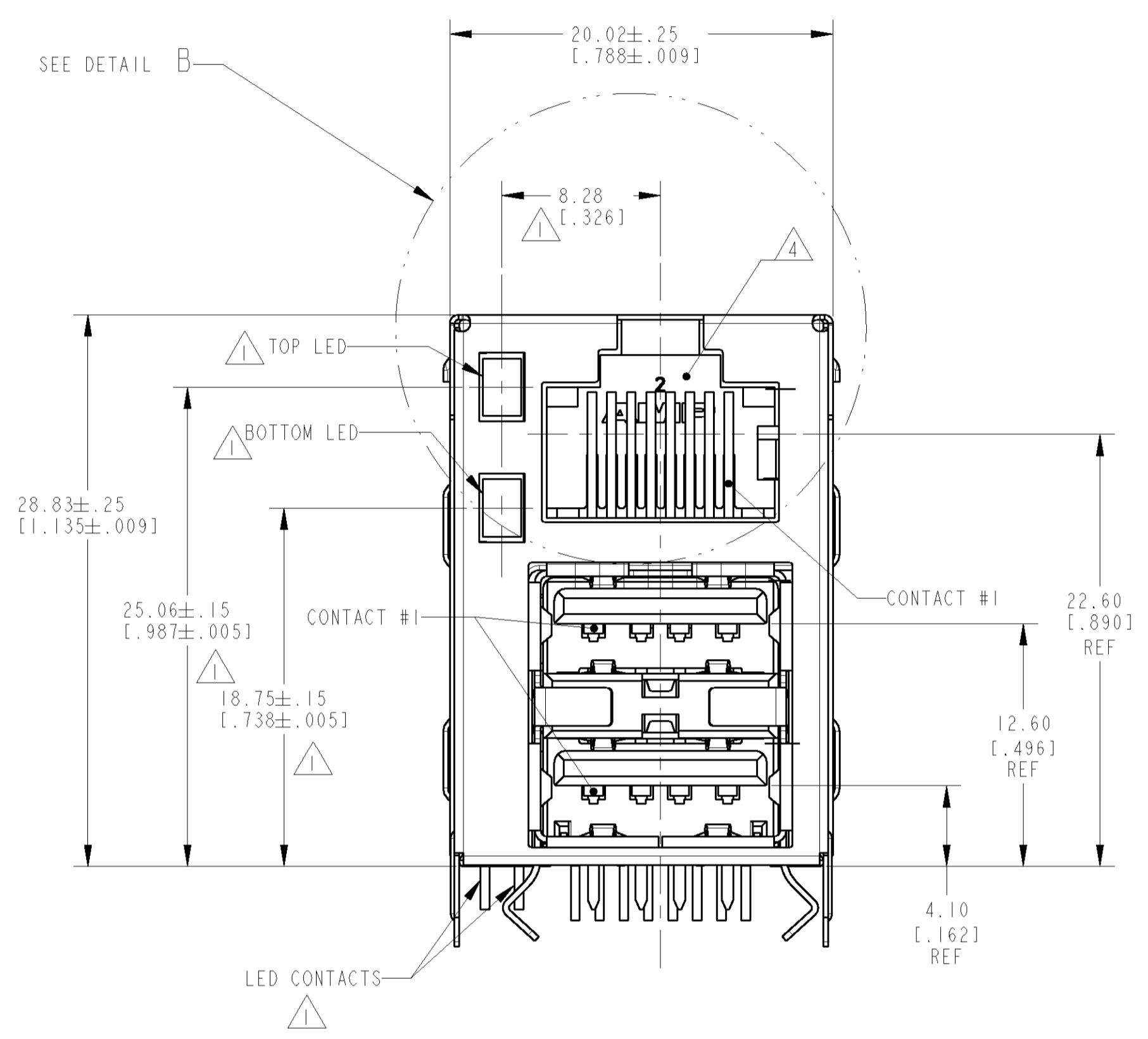


LOC	DIST	REV	DATE	BY	APPD
AA	22	B2	20APR11	RK	HMR

- 1 6116151-2 & 6116151-4 ONLY.
- 2 DATUM AND BASIC DIMENSION ESTABLISHED BY CUSTOMER.
- 3 RECOMMENDED PC BOARD THICKNESS OF 1.57[.062].
- 4 RJ45 JACK CAVITY CONFORMS TO FCC RULES AND REGULATIONS, PART 68 SUBPART F.
- 5 MATERIAL:

HOUSING: PLASTIC HOUSINGS: UL94V-0/5V THERMOPLASTIC, SEE TABLE FOR COLOR.
 TERMINAL: USB: 0.251±0.013 THICK PHOSPHOR BRONZE PLATED WITH 1.27µm NICKEL. 1IN LOCALIZED GOLD PLATE AREA 0.076µm MIN GOLD OVER 0.76µm MIN PALLADIUM-NICKEL IS ADDED OVER NICKEL UNDERPLATE. IN SOLDER AREA 3.8µm MIN TIN IS ADDED OVER NICKEL UNDERPLATE.
 RJ45: 0.318 THICK PHOSPHOR BRONZE PLATED WITH 1.27µm MIN THICK NICKEL. IN LOCALIZED GOLD PLATE AREA 1.27µm MIN THICK GOLD IS ADDED OVER NICKEL UNDERPLATE. IN SOLDER AREA 3.8µm MIN TIN IS ADDED OVER NICKEL UNDERPLATE.
 LED: 0.5 DIAMETER CARBON STEEL LEADS PREPLATED WITH 8.89 µm THICK Sn/Cu, OVER 2.03 µm THICK Ag, OVER 1.02 µm THICK Cu, OVER 3.56 µm THICK Ni, OVER 1.02 µm Cu UNDERPLATE
 SHIELD: OUTER: 0.254 THICK COPPER-ZINC ALLOY PREPLATED WITH TIN 2µm TO 3.8µm THICK
 INNER: 0.318 THICK COPPER-ZINC ALLOY PREPLATED WITH TIN 2µm TO 3.8µm THICK
 USB: 0.318 THICK PHOSPHOR-BRONZE PREPLATED WITH 5.1µm MIN TIN

6 OBSOLETE PARTS: OBSOLETE CIS STREAMLINING PER D.RENAUD/D.SINISI



P/N 6116151-2 & 6116151-4 WITH LEDS

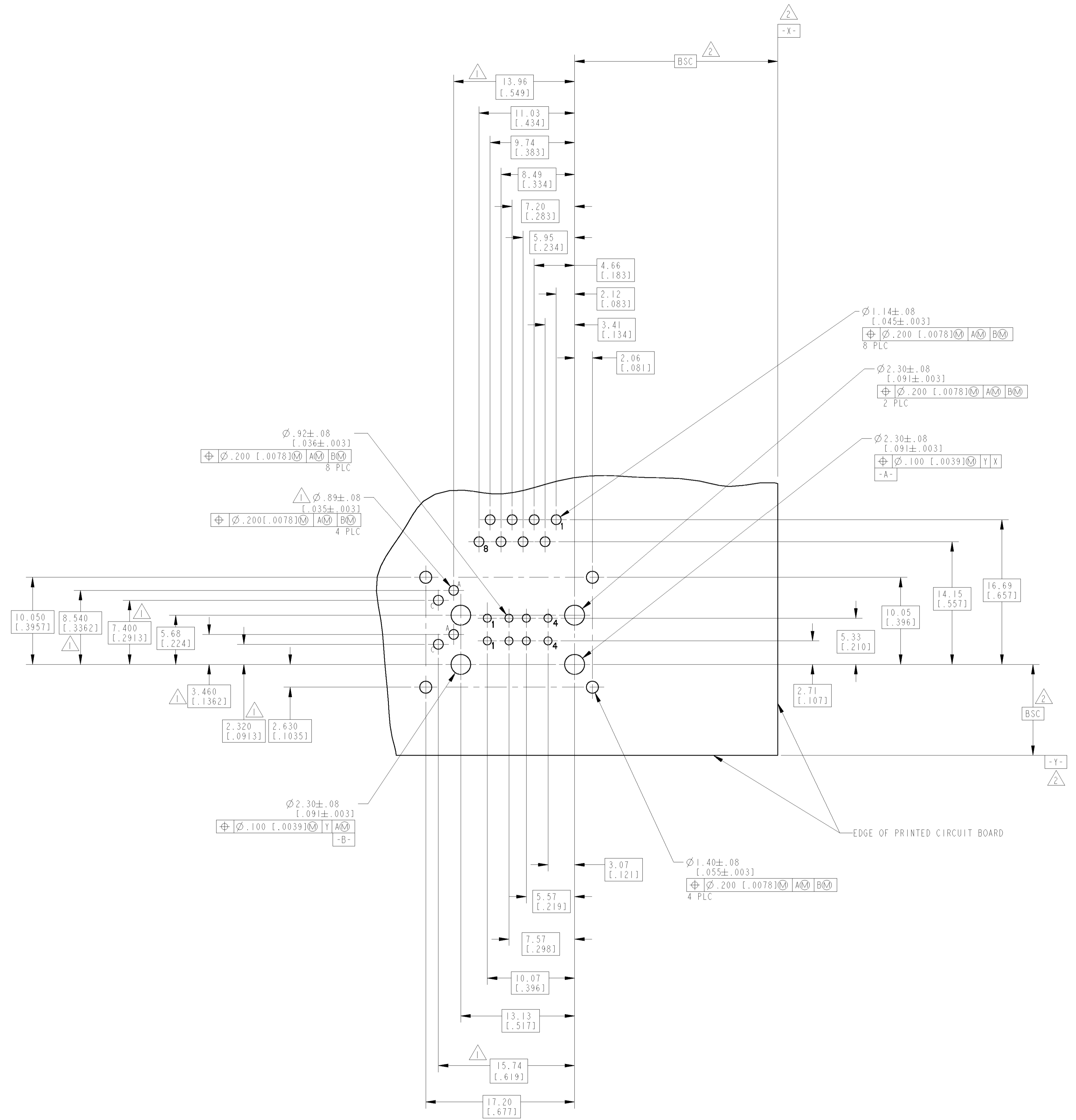
LED COLOR	LED TYPE	HOUSING COLOR	PART NUMBER
GREEN	GREEN	BLACK	6116151-4
NO LED	NO LED	TURQUOISE	6116151-3
YELLOW	GREEN	BLACK	6116151-2
NO LED	NO LED	BLACK	6116151-1
BOTTOM LED	TOP LED	HOUSING COLOR	PART NUMBER

DIMENSIONS: mm [INCHES] TOLERANCES UNLESS OTHERWISE SPECIFIED: 0 PLC ± 1 PLC ± 2 PLC ±0.13(.005) 3 PLC ± 4 PLC ± ANGLES ±1° FINISH SEE NOTE 5		DIMENSIONS: mm [INCHES] TOLERANCES UNLESS OTHERWISE SPECIFIED: 0 PLC ± 1 PLC ± 2 PLC ±0.13(.005) 3 PLC ± 4 PLC ± ANGLES ±1° FINISH SEE NOTE 5		DIMENSIONS: mm [INCHES] TOLERANCES UNLESS OTHERWISE SPECIFIED: 0 PLC ± 1 PLC ± 2 PLC ±0.13(.005) 3 PLC ± 4 PLC ± ANGLES ±1° FINISH SEE NOTE 5		DIMENSIONS: mm [INCHES] TOLERANCES UNLESS OTHERWISE SPECIFIED: 0 PLC ± 1 PLC ± 2 PLC ±0.13(.005) 3 PLC ± 4 PLC ± ANGLES ±1° FINISH SEE NOTE 5	
MATERIAL SEE NOTE 5		MATERIAL SEE NOTE 5		MATERIAL SEE NOTE 5		MATERIAL SEE NOTE 5	
CUSTOMER DRAWING		CUSTOMER DRAWING		CUSTOMER DRAWING		CUSTOMER DRAWING	



ASSEMBLY, RJ-45 MODULAR JACK OVER STACKED USB RECEPTACLE, WITH LEDS AND WITHOUT LEDS

SCALE 4:1 SHEET 1 OF 2 REV B2



RECOMMENDED PCB LAYOUT ³

DIMENSIONS: mm [INCHES]		TOLERANCES UNLESS OTHERWISE SPECIFIED:		DWN: H/L A. MAYER ENR: J. WESTMAN APVD: S. FLICKINGER		DATE: 14 APR 2005		NAME: S. FLICKINGER		TE Connectivity	
		0 PLC ±	1 PLC ±	2 PLC ±0.13(0.005)	3 PLC ±	4 PLC ±	5 PLC ±	6 PLC ±	7 PLC ±	8 PLC ±	9 PLC ±
MATERIAL: SEE NOTE 5		FINISH: SEE NOTE 5		PRODUCT SPEC: -		APPLICATION SPEC: -		SIZE: A		CAGE CODE: 00779	
CUSTOMER DRAWING		SCALE: 4:1		SHEET: 2 OF 2		REV: B2		DRAWING NO: 6116151		RESTRICTED TO: -	