



Chipsmall Limited consists of a professional team with an average of over 10 year of expertise in the distribution of electronic components. Based in Hongkong, we have already established firm and mutual-benefit business relationships with customers from,Europe,America and south Asia,supplying obsolete and hard-to-find components to meet their specific needs.

With the principle of “Quality Parts,Customers Priority,Honest Operation,and Considerate Service”,our business mainly focus on the distribution of electronic components. Line cards we deal with include Microchip,ALPS,ROHM,Xilinx,Pulse,ON,Everlight and Freescale. Main products comprise IC,Modules,Potentiometer,IC Socket,Relay,Connector.Our parts cover such applications as commercial,industrial, and automotives areas.

We are looking forward to setting up business relationship with you and hope to provide you with the best service and solution. Let us make a better world for our industry!



## Contact us

Tel: +86-755-8981 8866 Fax: +86-755-8427 6832

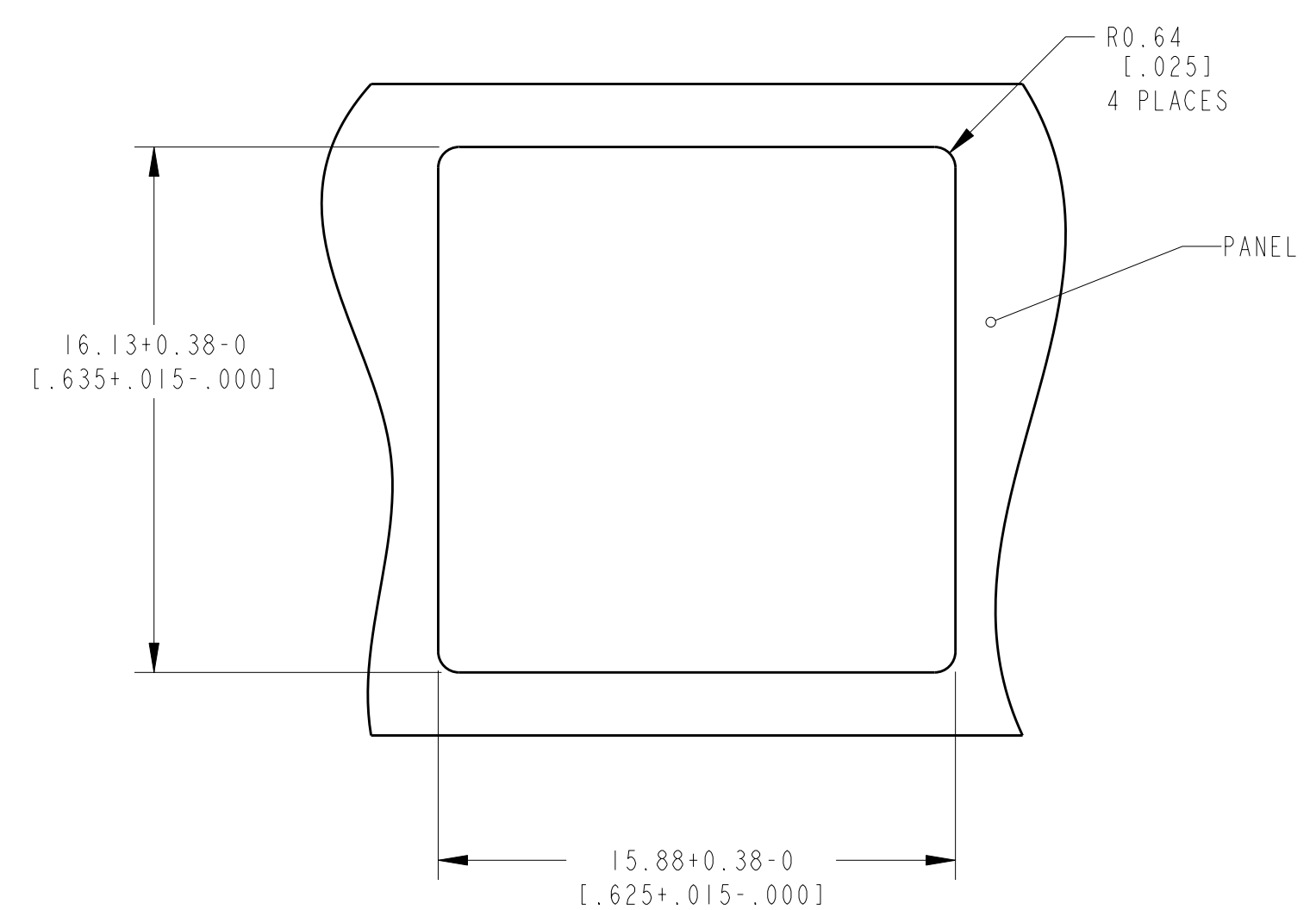
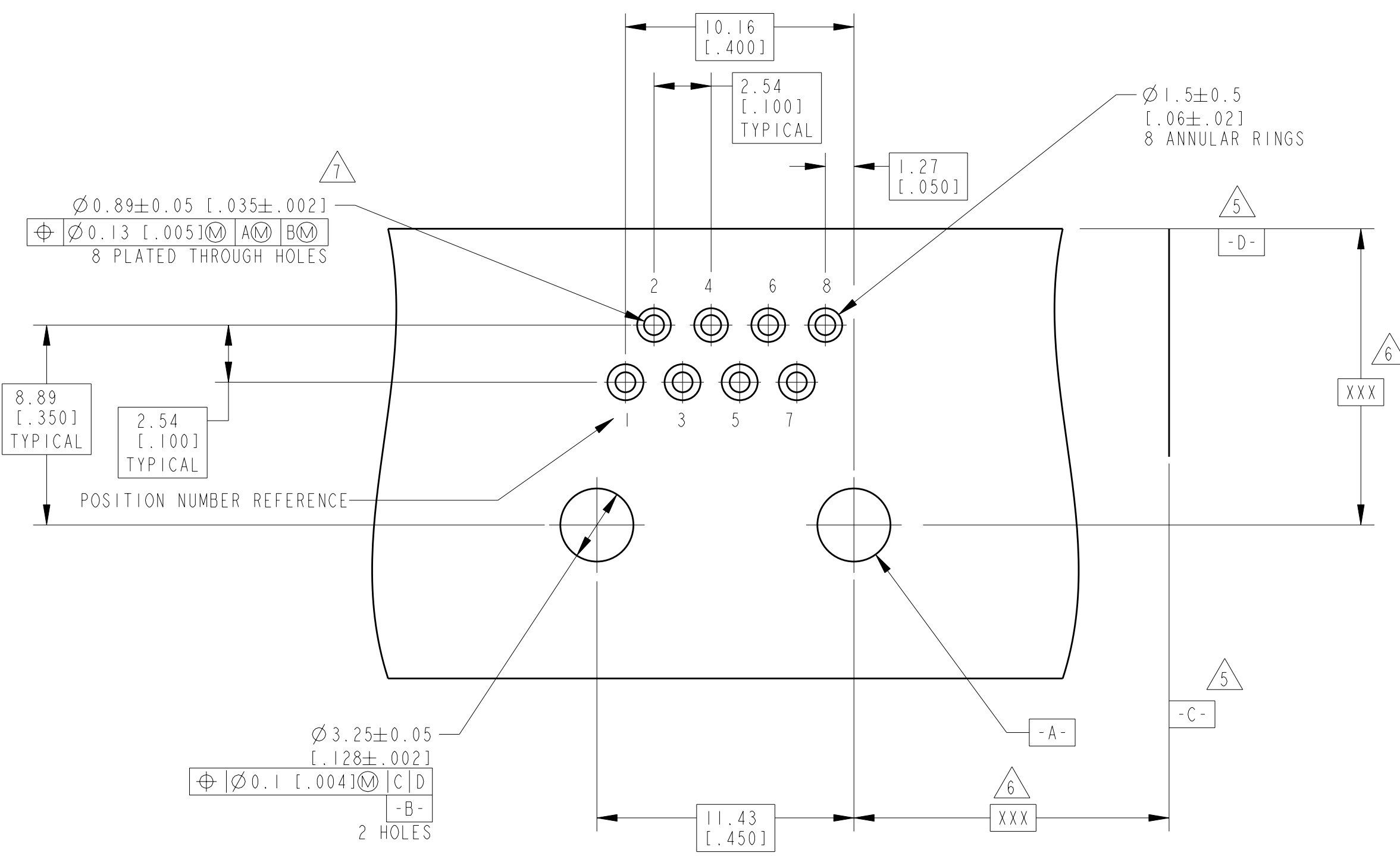
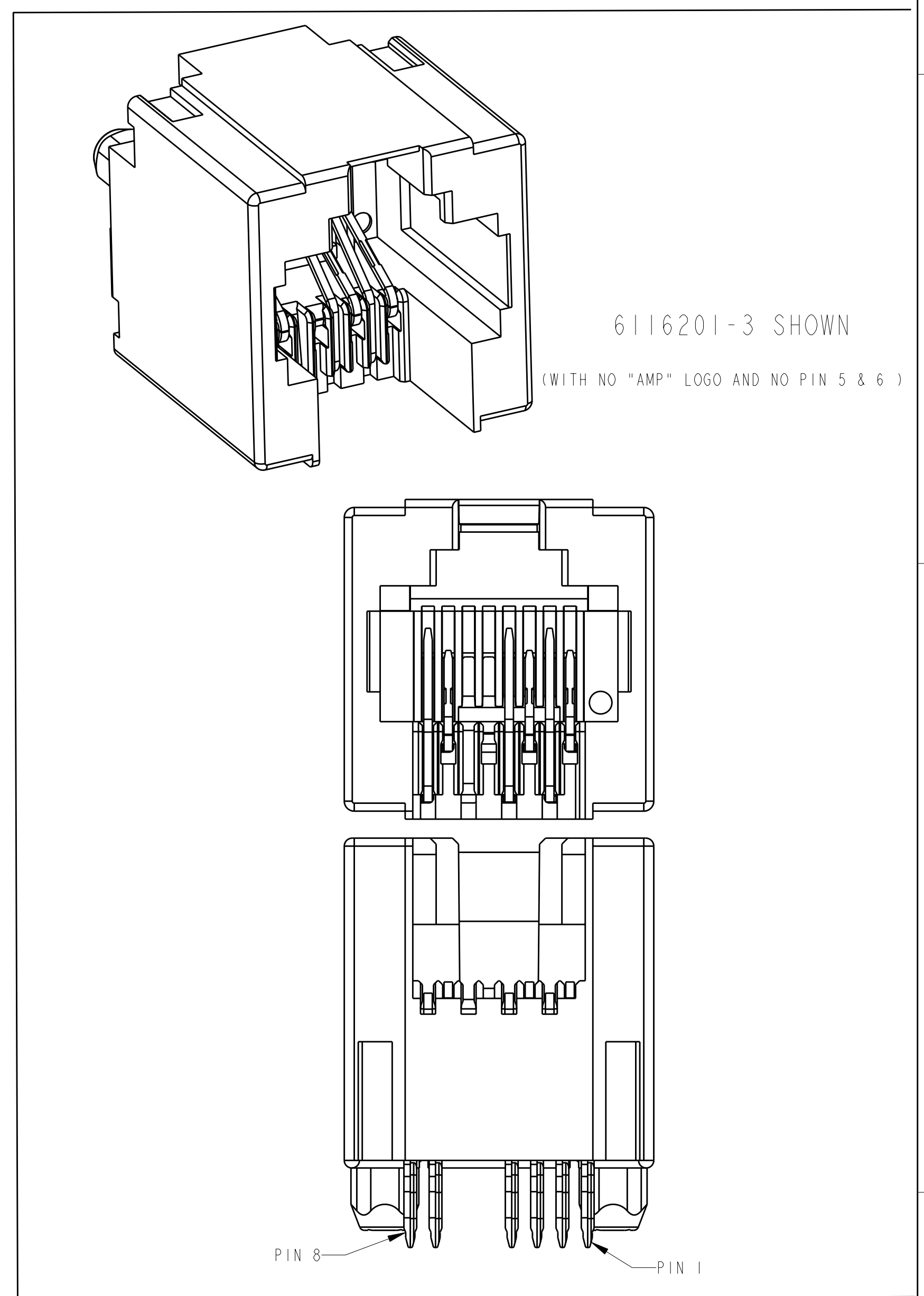
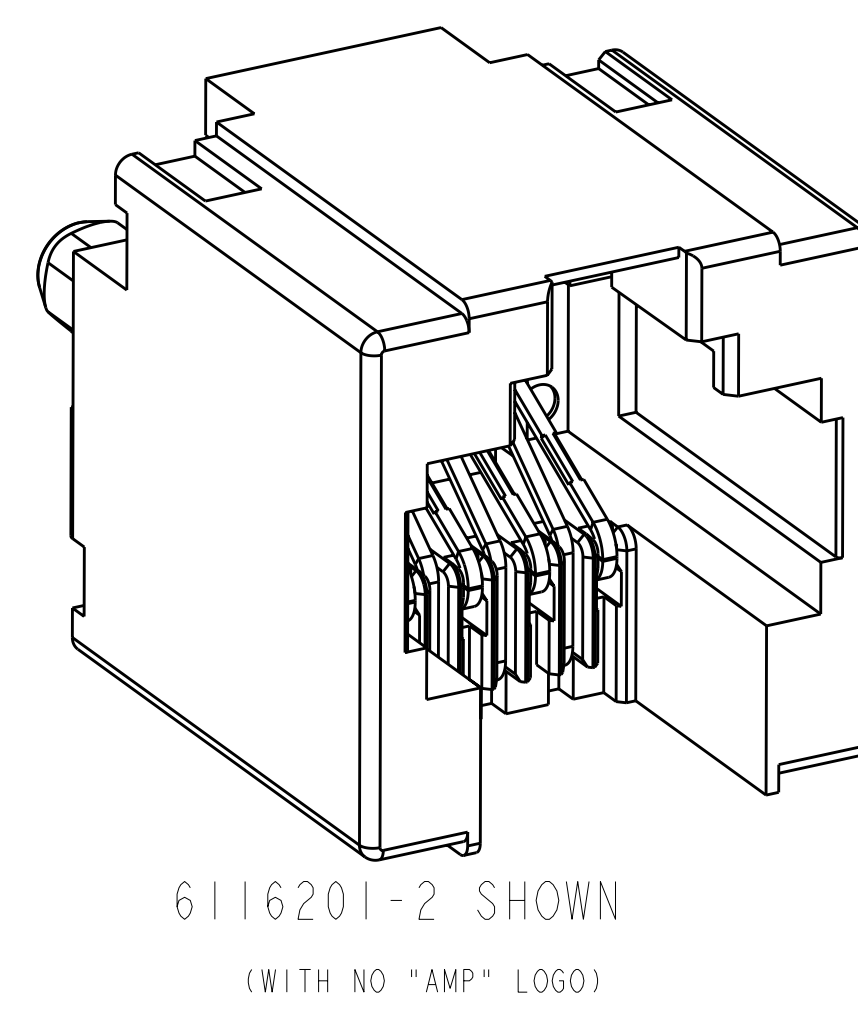
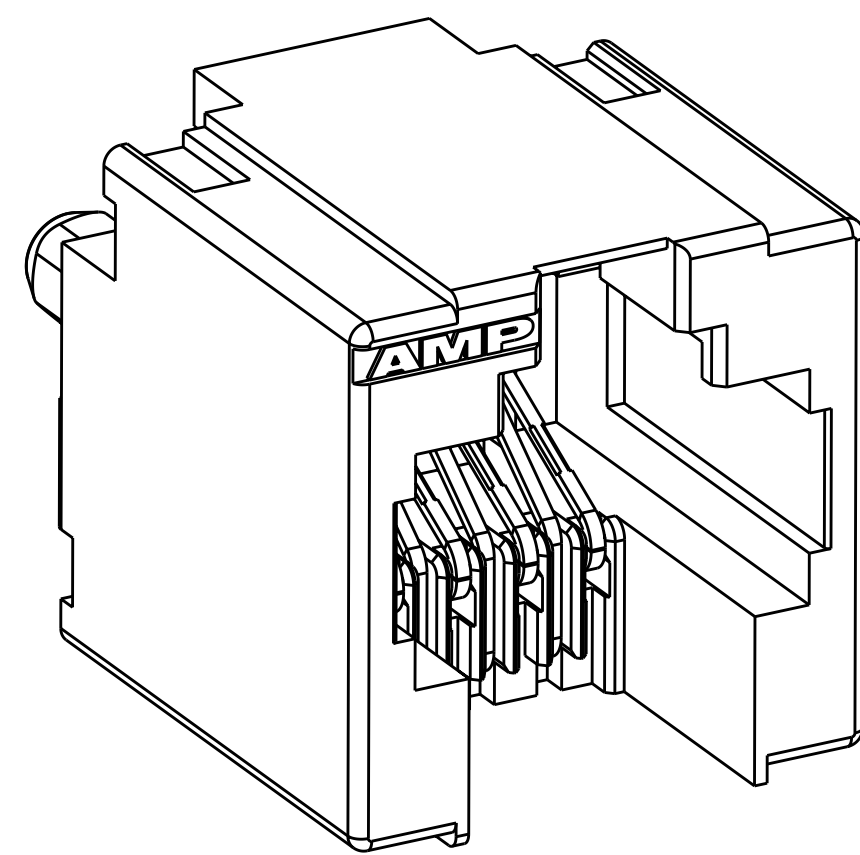
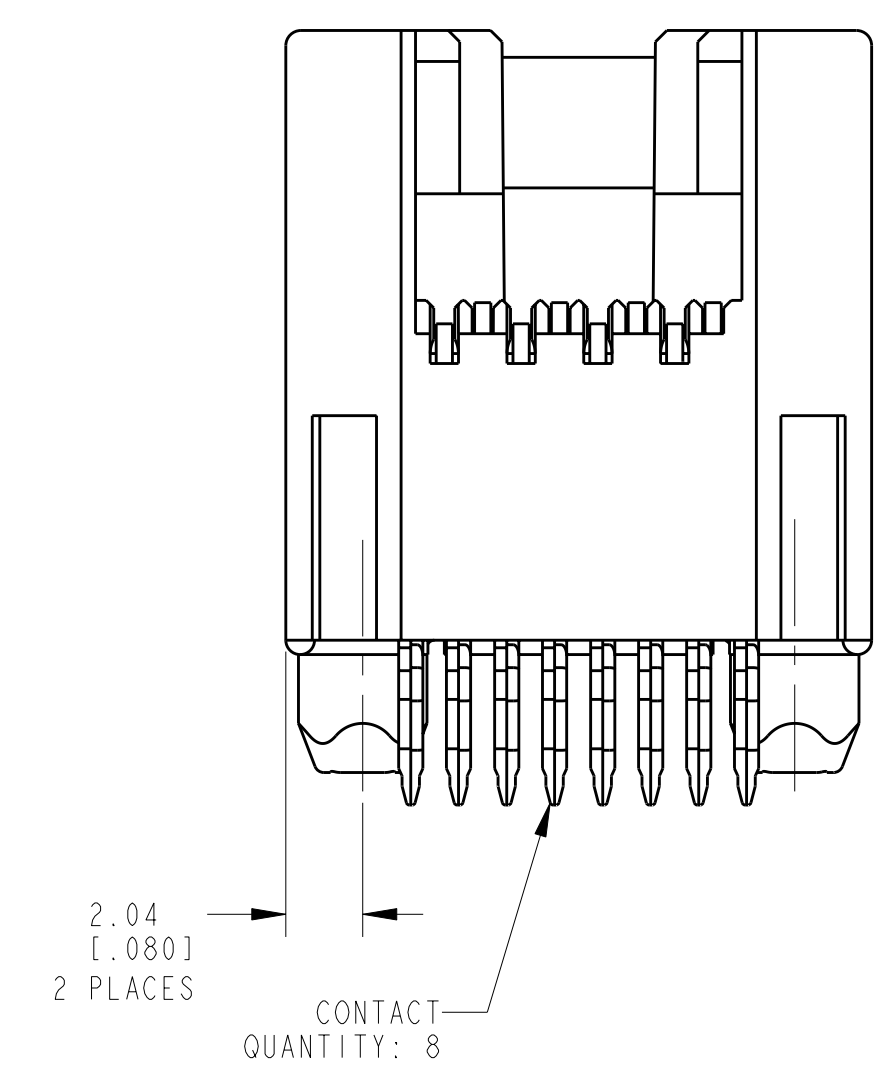
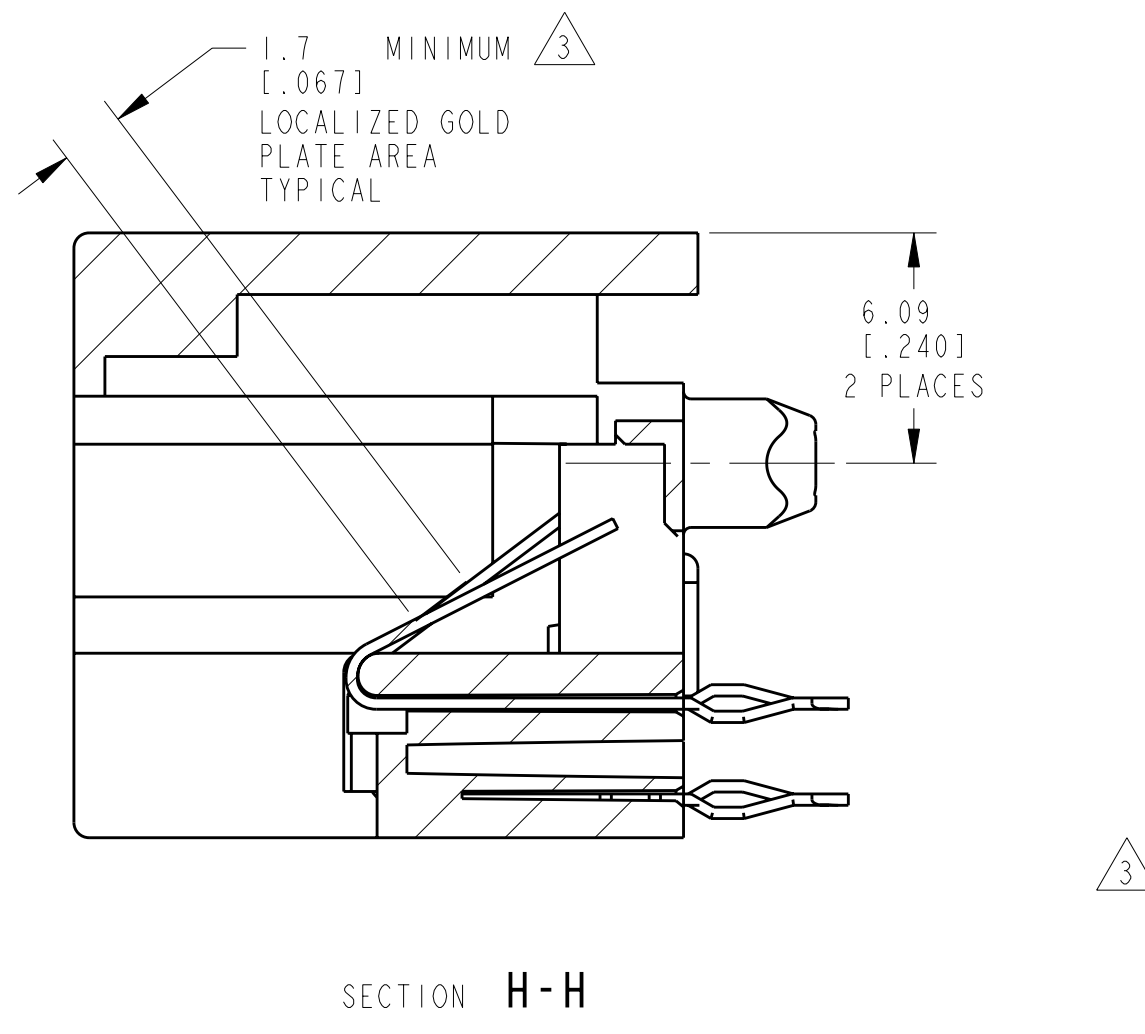
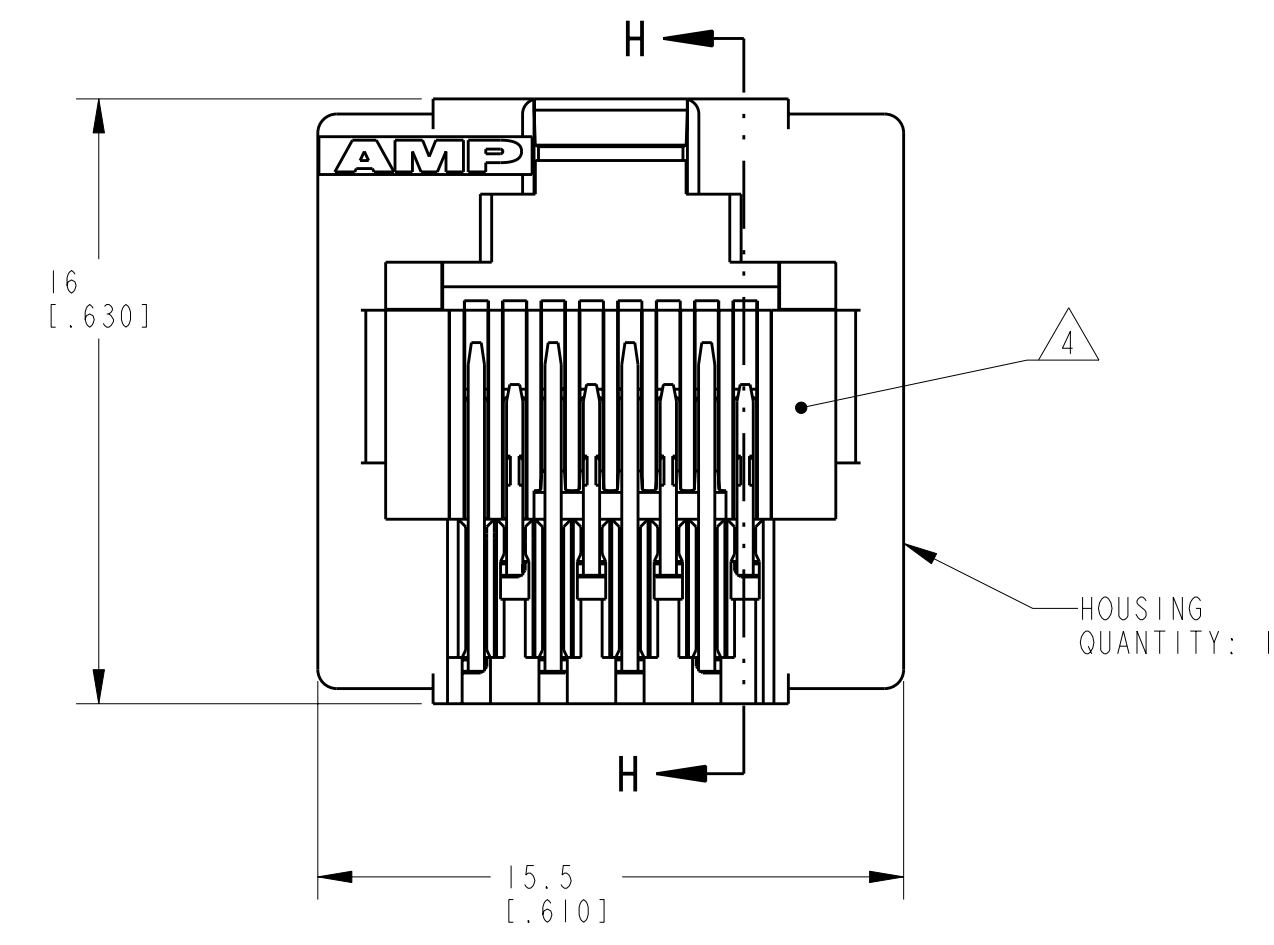
Email & Skype: info@chipsmall.com Web: www.chipsmall.com

Address: A1208, Overseas Decoration Building, #122 Zhenhua RD., Futian, Shenzhen, China



LOC	DIST	REV	DATE	BY	CHK	APPD
AA	22	A	29JUL2005	AF	SF	
		A1	16AUG2010	DZ	MO, W	
		A2	25AUG2010	DZ	MO, W	

- 1 THERMOPLASTIC, COLOR-BLACK.
- 2 PHOSPHOR BRONZE
- 3 1.27um[.000050] MIN GOLD IN LOCALIZED GOLD PLATE AREA, 2um[.000079] MIN MATTE TIN ON TERMINATION END, BOTH OVER 1.27um[.000050] MIN NICKEL.
- 4 CAVITY CONFORMS TO FCC 47 CFR 68 PART F.
- 5 DATUMS ESTABLISHED BY CUSTOMER.
- 6 DIMENSIONS ESTABLISHED BY CUSTOMER.
- 7 DRILLED HOLE DIAMETER 1.02±0.03[.040.001], COPPER THK 0.03-0.08[.001-.003], TIN THICKNESS 8um[.000315] MIN.
- 8 PC BOARDS GREATER THAN 1.57[.062] IN THICKNESS MAY REQUIRE SPECIAL EXTRACTION TOOLING, CONSULT ENGINEERING.



RECOMMENDED PRINTED CIRCUIT BOARD LAYOUT  
 RECOMMENDED PRINTED CIRCUIT BOARD THICKNESS 1.41[.055] MIN  
 COMPONENT SIDE OF PRINTED CIRCUIT BOARD

DESCRIPTION	PART NUMBER
NO "AMP" LOGO, NO PIN 5 & 6	6116201-3
NO "AMP" LOGO	6116201-2
AS SHOWN	6116201-1

DIMENSIONS: mm [ INCHES ]		TOLERANCES UNLESS OTHERWISE SPECIFIED:		MATERIAL	
9 PLC	±	9 PLC	±	HOUSING: 1	CONTACT: 2
1 PLC	±	1 PLC	±		
2 PLC	±	2 PLC	±		
3 PLC	±	3 PLC	±		
4 PLC	±	4 PLC	±		
5 PLC	±	5 PLC	±		
6 PLC	±	6 PLC	±		
7 PLC	±	7 PLC	±		
8 PLC	±	8 PLC	±		
9 PLC	±	9 PLC	±		
10 PLC	±	10 PLC	±		
11 PLC	±	11 PLC	±		
12 PLC	±	12 PLC	±		
13 PLC	±	13 PLC	±		
14 PLC	±	14 PLC	±		
15 PLC	±	15 PLC	±		
16 PLC	±	16 PLC	±		
17 PLC	±	17 PLC	±		
18 PLC	±	18 PLC	±		
19 PLC	±	19 PLC	±		
20 PLC	±	20 PLC	±		
21 PLC	±	21 PLC	±		
22 PLC	±	22 PLC	±		
23 PLC	±	23 PLC	±		
24 PLC	±	24 PLC	±		
25 PLC	±	25 PLC	±		
26 PLC	±	26 PLC	±		
27 PLC	±	27 PLC	±		
28 PLC	±	28 PLC	±		
29 PLC	±	29 PLC	±		
30 PLC	±	30 PLC	±		
31 PLC	±	31 PLC	±		
32 PLC	±	32 PLC	±		
33 PLC	±	33 PLC	±		
34 PLC	±	34 PLC	±		
35 PLC	±	35 PLC	±		
36 PLC	±	36 PLC	±		
37 PLC	±	37 PLC	±		
38 PLC	±	38 PLC	±		
39 PLC	±	39 PLC	±		
40 PLC	±	40 PLC	±		
41 PLC	±	41 PLC	±		
42 PLC	±	42 PLC	±		
43 PLC	±	43 PLC	±		
44 PLC	±	44 PLC	±		
45 PLC	±	45 PLC	±		
46 PLC	±	46 PLC	±		
47 PLC	±	47 PLC	±		
48 PLC	±	48 PLC	±		
49 PLC	±	49 PLC	±		
50 PLC	±	50 PLC	±		
51 PLC	±	51 PLC	±		
52 PLC	±	52 PLC	±		
53 PLC	±	53 PLC	±		
54 PLC	±	54 PLC	±		
55 PLC	±	55 PLC	±		
56 PLC	±	56 PLC	±		
57 PLC	±	57 PLC	±		
58 PLC	±	58 PLC	±		
59 PLC	±	59 PLC	±		
60 PLC	±	60 PLC	±		
61 PLC	±	61 PLC	±		
62 PLC	±	62 PLC	±		
63 PLC	±	63 PLC	±		
64 PLC	±	64 PLC	±		
65 PLC	±	65 PLC	±		
66 PLC	±	66 PLC	±		
67 PLC	±	67 PLC	±		
68 PLC	±	68 PLC	±		
69 PLC	±	69 PLC	±		
70 PLC	±	70 PLC	±		
71 PLC	±	71 PLC	±		
72 PLC	±	72 PLC	±		
73 PLC	±	73 PLC	±		
74 PLC	±	74 PLC	±		
75 PLC	±	75 PLC	±		
76 PLC	±	76 PLC	±		
77 PLC	±	77 PLC	±		
78 PLC	±	78 PLC	±		
79 PLC	±	79 PLC	±		
80 PLC	±	80 PLC	±		
81 PLC	±	81 PLC	±		
82 PLC	±	82 PLC	±		
83 PLC	±	83 PLC	±		
84 PLC	±	84 PLC	±		
85 PLC	±	85 PLC	±		
86 PLC	±	86 PLC	±		
87 PLC	±	87 PLC	±		
88 PLC	±	88 PLC	±		
89 PLC	±	89 PLC	±		
90 PLC	±	90 PLC	±		
91 PLC	±	91 PLC	±		
92 PLC	±	92 PLC	±		
93 PLC	±	93 PLC	±		
94 PLC	±	94 PLC	±		
95 PLC	±	95 PLC	±		
96 PLC	±	96 PLC	±		
97 PLC	±	97 PLC	±		
98 PLC	±	98 PLC	±		
99 PLC	±	99 PLC	±		
100 PLC	±	100 PLC	±		