



Chipsmall Limited consists of a professional team with an average of over 10 year of expertise in the distribution of electronic components. Based in Hongkong, we have already established firm and mutual-benefit business relationships with customers from,Europe,America and south Asia,supplying obsolete and hard-to-find components to meet their specific needs.

With the principle of “Quality Parts,Customers Priority,Honest Operation,and Considerate Service”,our business mainly focus on the distribution of electronic components. Line cards we deal with include Microchip,ALPS,ROHM,Xilinx,Pulse,ON,Everlight and Freescale. Main products comprise IC,Modules,Potentiometer,IC Socket,Relay,Connector.Our parts cover such applications as commercial,industrial, and automotives areas.

We are looking forward to setting up business relationship with you and hope to provide you with the best service and solution. Let us make a better world for our industry!



Contact us

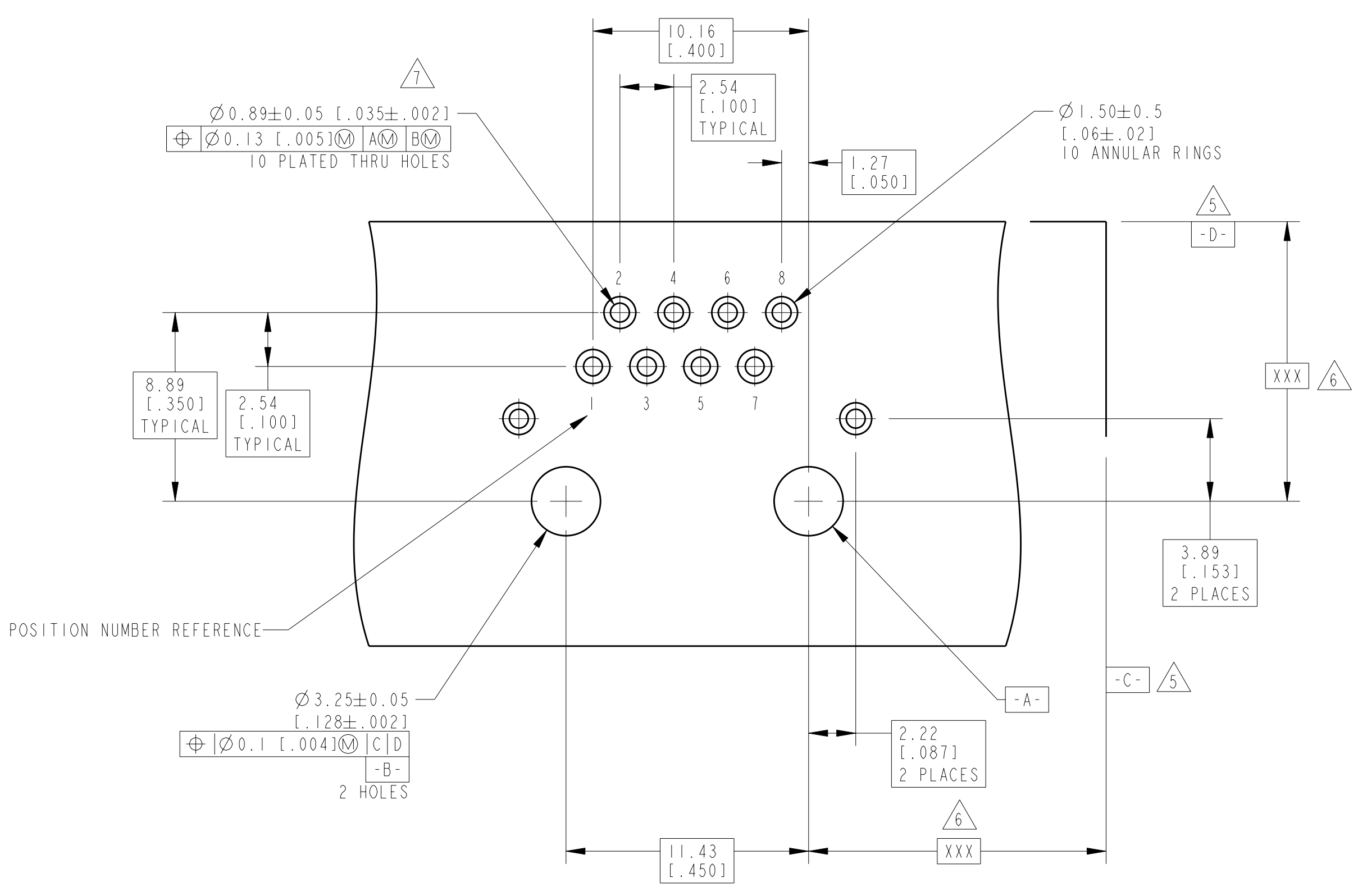
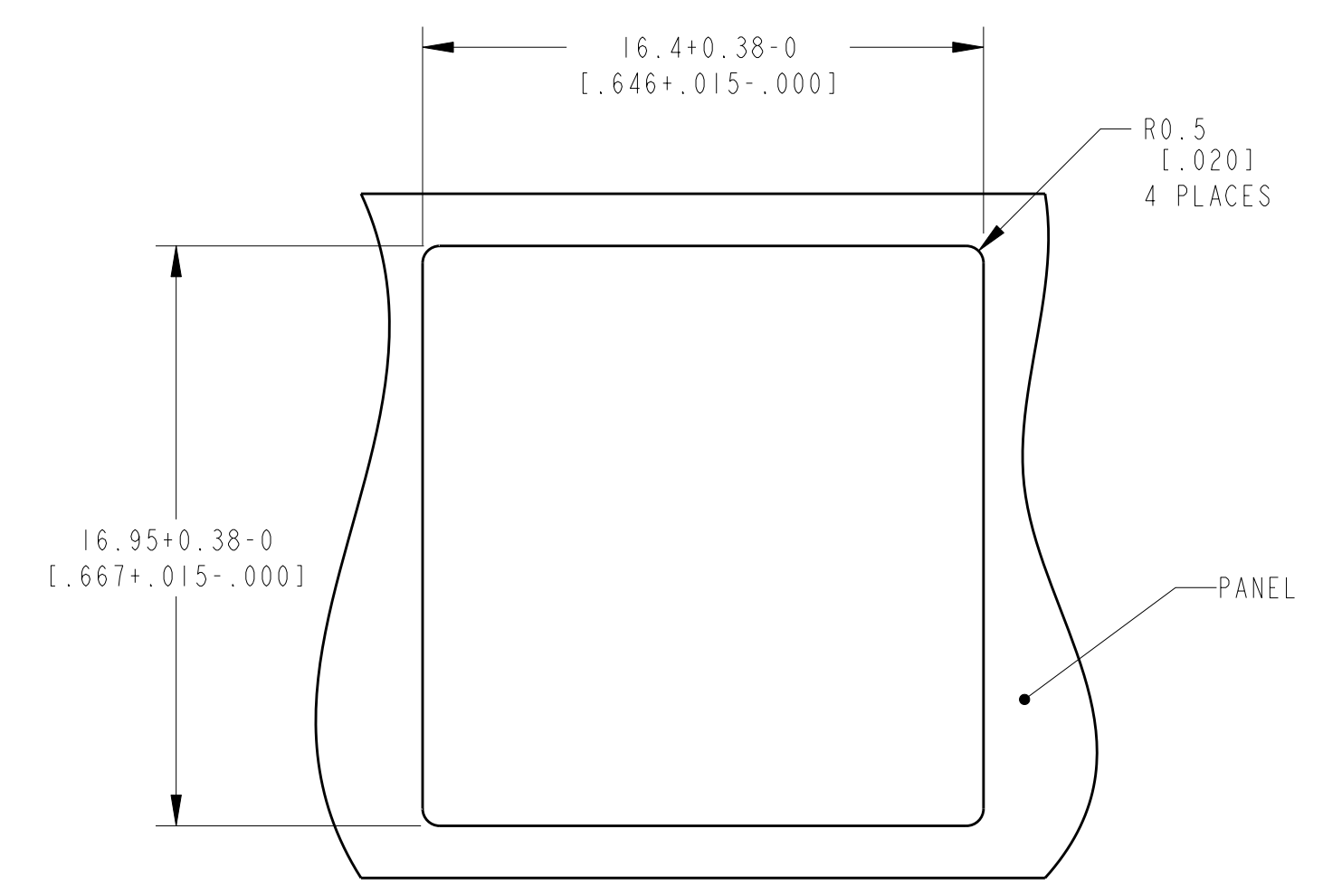
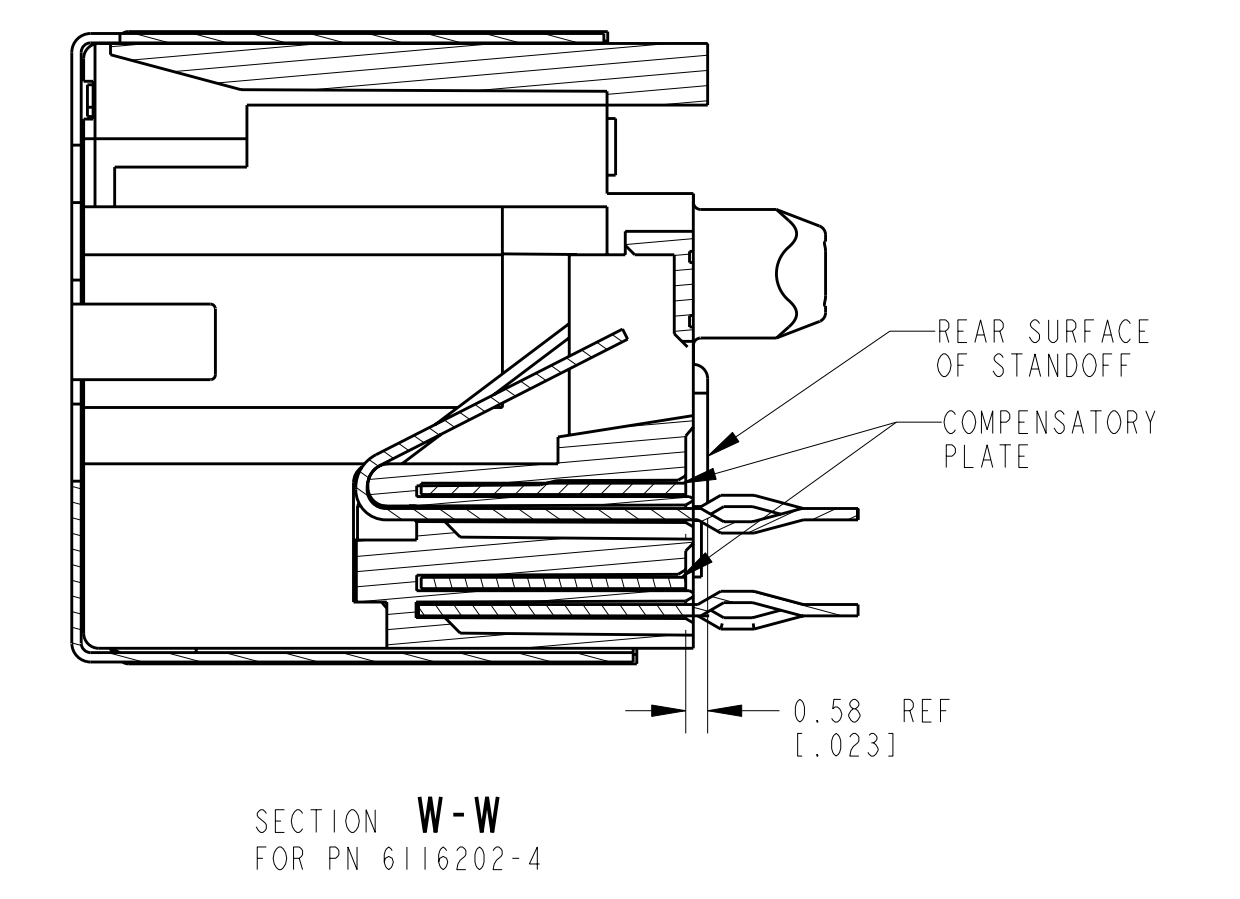
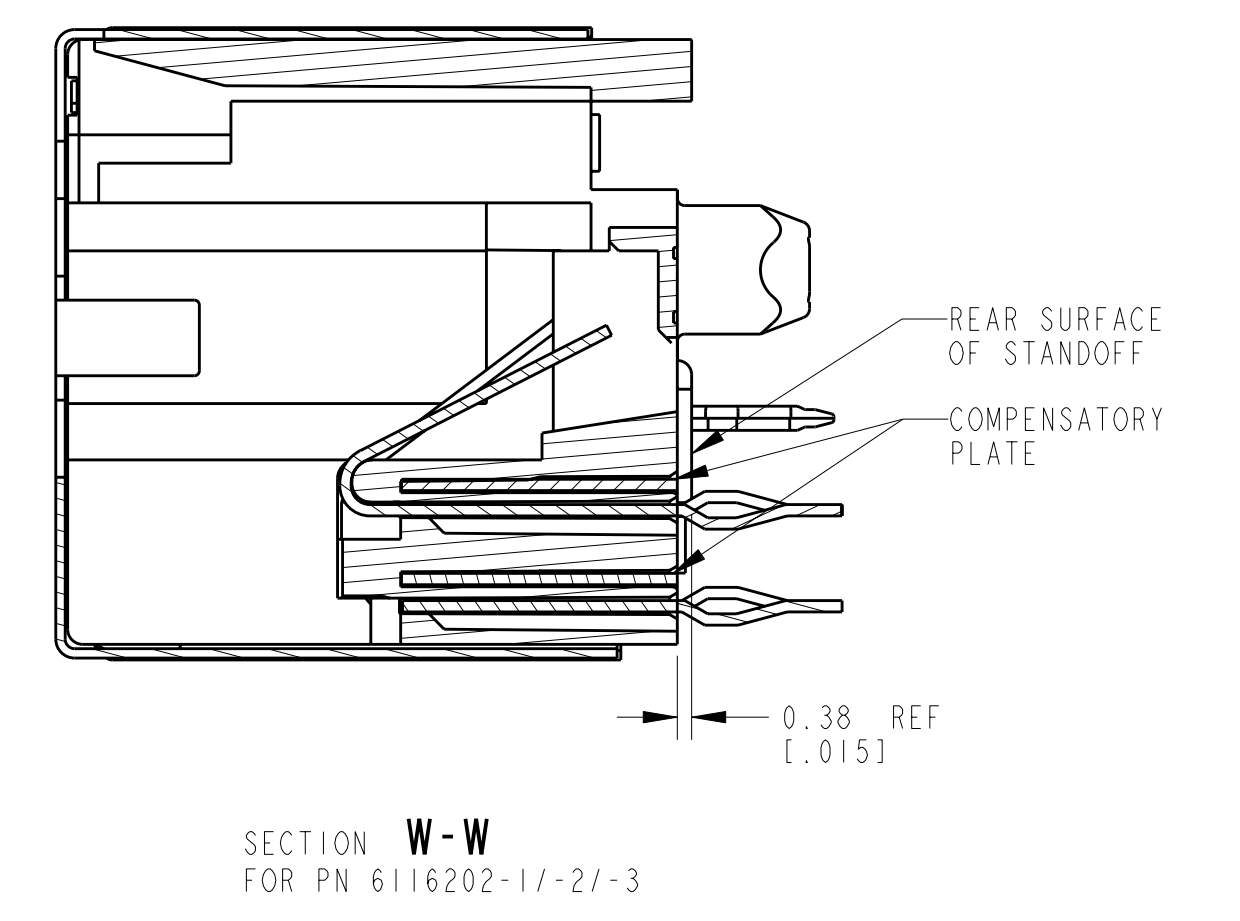
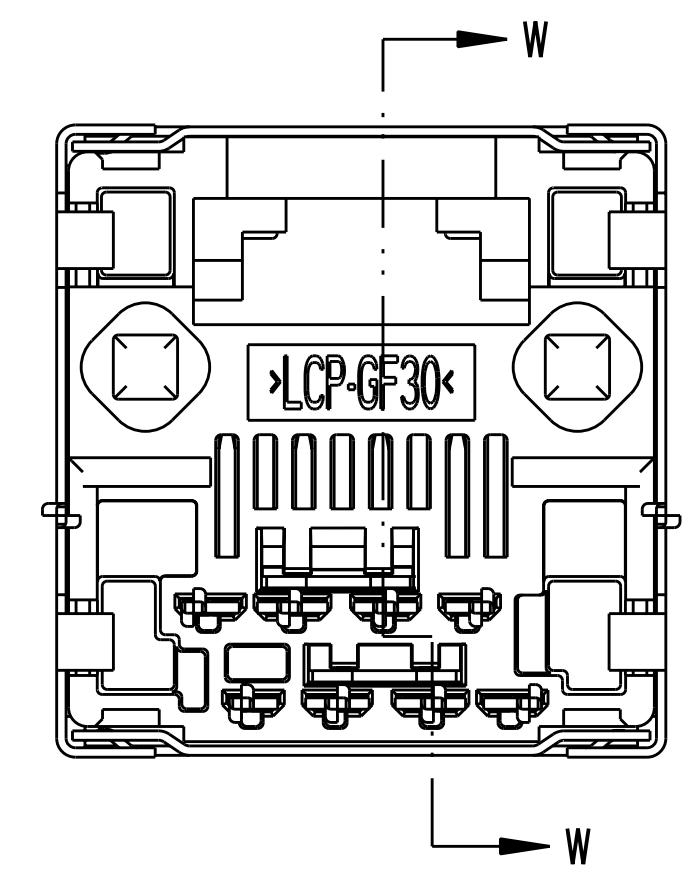
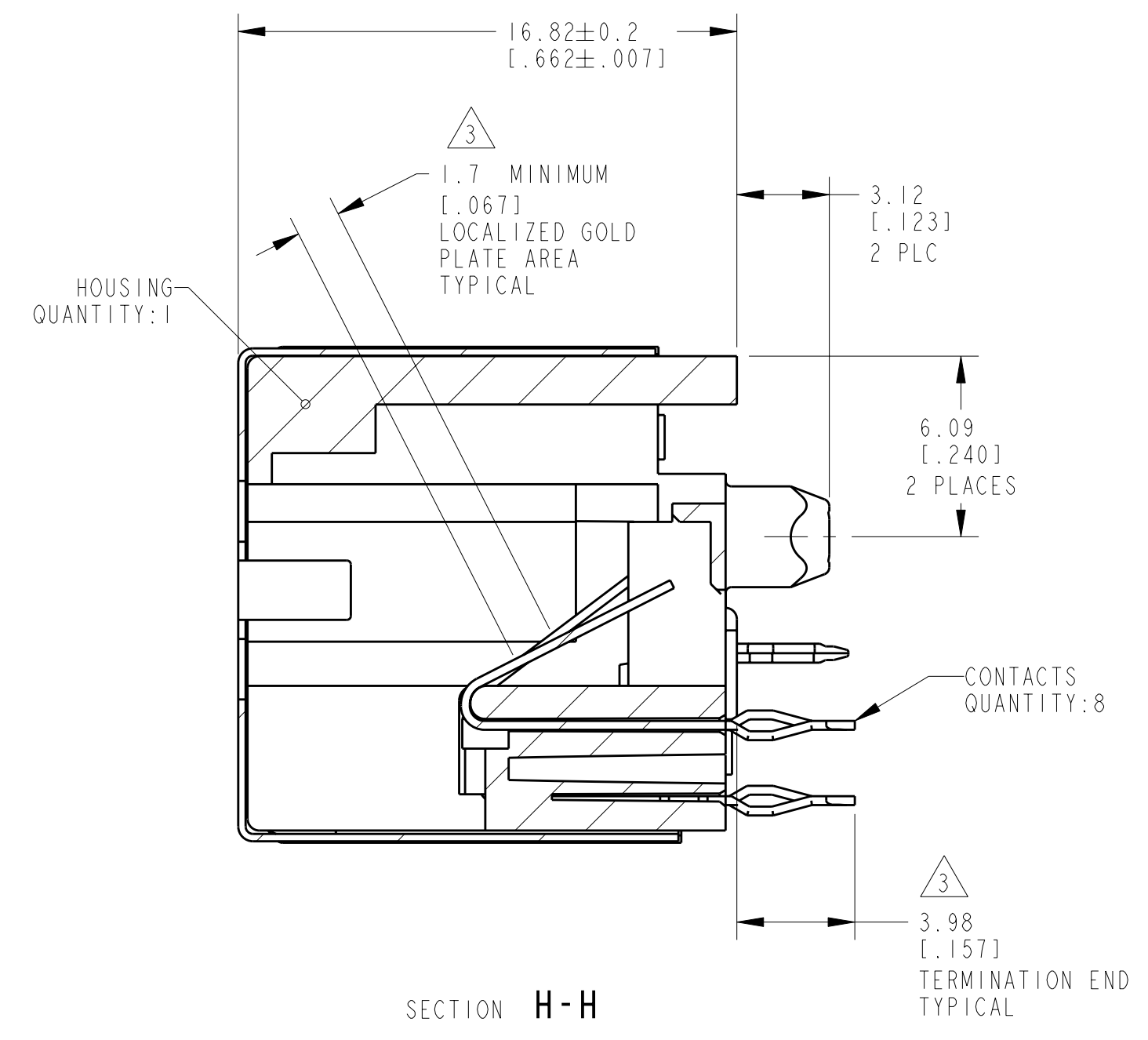
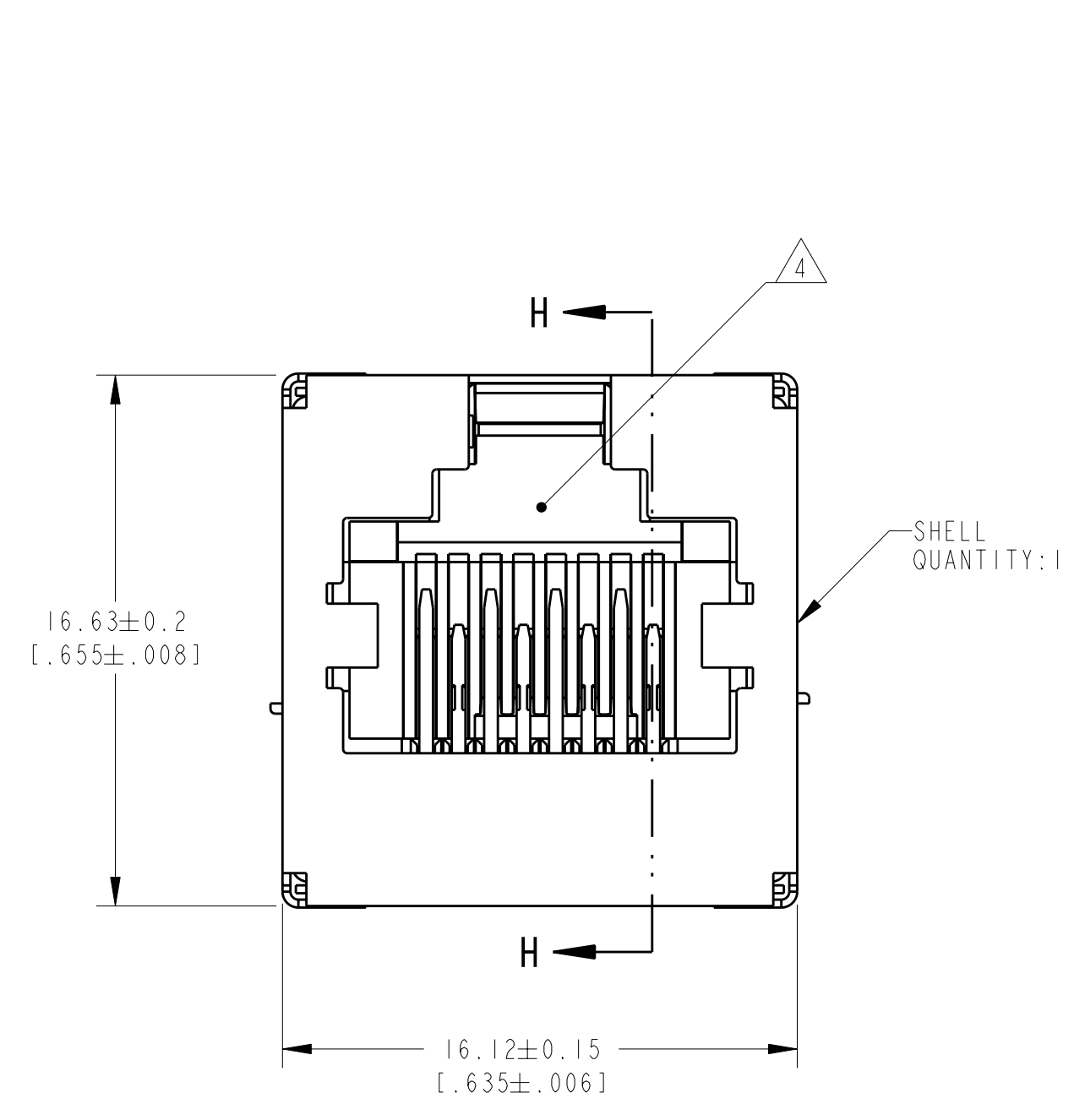
Tel: +86-755-8981 8866 Fax: +86-755-8427 6832

Email & Skype: info@chipsmall.com Web: www.chipsmall.com

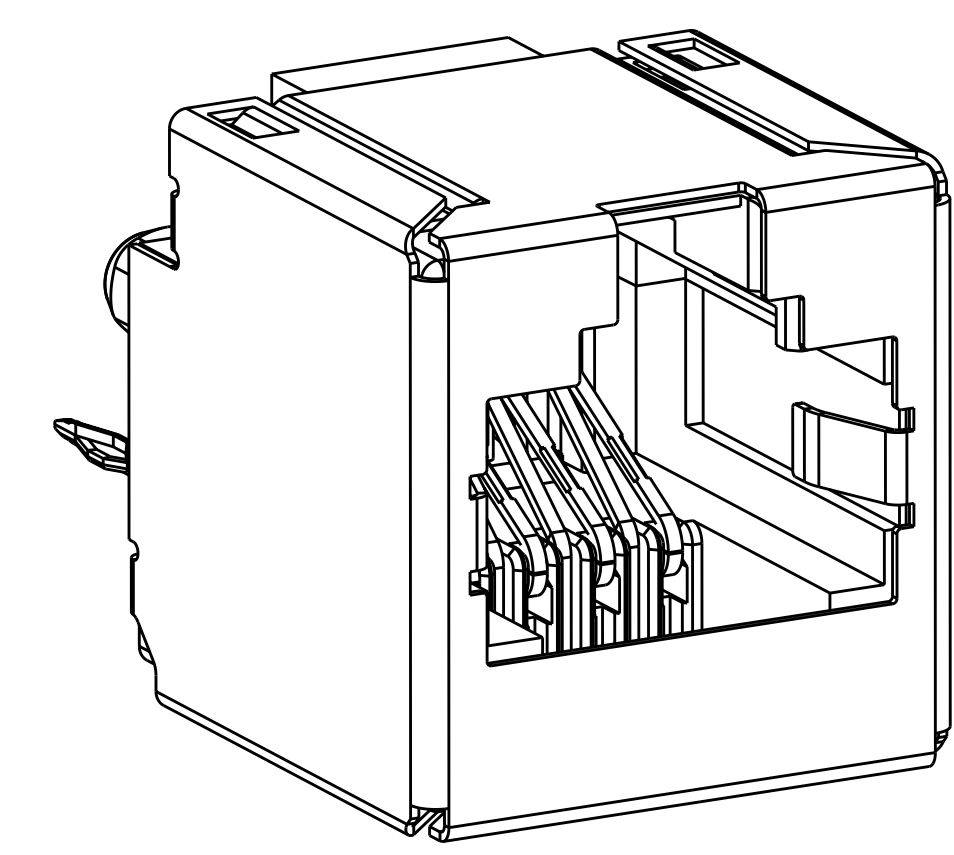
Address: A1208, Overseas Decoration Building, #122 Zhenhua RD., Futian, Shenzhen, China



LOC	DIST	REV	DESCRIPTION	DATE	DWN	APVD
AA	22	D3	REVISED PER ECO-11-005033	18MAR2011	RK	HMR
		E	ECO-11-019083	22SEP2011	JJ	MOW



RECOMMENDED PRINTED CIRCUIT BOARD LAYOUT
 RECOMMENDED PRINTED CIRCUIT BOARD THICKNESS 1.41 [0.051] MIN
 COMPONENT SIDE OF PRINTED CIRCUIT BOARD



- 1 THERMOPLASTIC.
- 2 PHOSPHOR BRONZE
- 3 1.27 um [0.000050] MIN GOLD IN LOCALIZED GOLD PLATE AREA, 2 um [0.000079] MIN MATTE TIN ON TERMINATION END, BOTH OVER 1.27 um [0.000050] MIN NICKEL.
- 4 CAVITY CONFORMS TO FCC 47 CFR 68 PART F.
- 5 DATUMS ESTABLISHED BY CUSTOMER.
- 6 DIMENSIONS ESTABLISHED BY CUSTOMER.
- 7 DRILLED HOLE DIAMETER 1.02±0.03 [0.040±0.001]. COPPER THK 0.03-0.08 [0.001-0.003]. TIN THICKNESS 8 um [0.000315] MIN.
- 8 COPPER ZINC ALLOY
- 9 2.03 um [0.000080] MIN BRIGHT TIN OVER 1.27 um [0.000050] MIN NICKEL
- 10 PC BOARDS GREATER THAN 1.57 [0.062] IN THICKNESS MAY REQUIRE SPECIAL EXTRACTION TOOLING, CONSULT ENGINEERING.
- 11 PACKAGED 29 PIECES PER TUBE
- 12 PACKAGED 27 PIECES PER TUBE
- 13 WITH IMPROVED CHAMFERS ON TERMINAL EDGES.
- 14 WITHOUT COMPENSATORY PLATE

REV	DESCRIPTION	PART NUMBER
1	NATURAL	6116202-6
2	NATURAL	6116202-5
3	BLACK	6116202-4
4	NATURAL	6116202-3
5	NATURAL	6116202-2
6	BLACK	6116202-1
PACKAGING		COLOR
		PART NUMBER

THIS DRAWING IS A CONTROLLED DOCUMENT.

DIMENSIONS: mm [INCHES]

TOLERANCES UNLESS OTHERWISE SPECIFIED:

9 PLC	±	
1 PLC	±0.3	[0.012]
5 PLC	±0.13	[0.005]
4 PLC	±	
ANGLES	±	

MATERIAL FINISH

1 2 8 3 9

DWN: A. MAYER 20APR2005
 CHK: J. WESTMAN 20APR2005
 APVD: S. FLICKINGER 20APR2005

NAME: MODULAR JACK ASSEMBLY, VERTICAL, COMPLIANT PIN, SHIELDED, 8 POSITION, CATEGORY 5

PRODUCT SPEC: 108-1163-6
 APPLICATION SPEC: 114-2158

SIZE: A1
 CAGE CODE: 00779
 DRAWING NO: 6116202

RESTRICTED TO: E

CUSTOMER DRAWING SCALE: 5:1 SHEET: 1 OF 1 REV: E