



Chipsmall Limited consists of a professional team with an average of over 10 year of expertise in the distribution of electronic components. Based in Hongkong, we have already established firm and mutual-benefit business relationships with customers from,Europe,America and south Asia,supplying obsolete and hard-to-find components to meet their specific needs.

With the principle of “Quality Parts,Customers Priority,Honest Operation,and Considerate Service”,our business mainly focus on the distribution of electronic components. Line cards we deal with include Microchip,ALPS,ROHM,Xilinx,Pulse,ON,Everlight and Freescale. Main products comprise IC,Modules,Potentiometer,IC Socket,Relay,Connector.Our parts cover such applications as commercial,industrial, and automotives areas.

We are looking forward to setting up business relationship with you and hope to provide you with the best service and solution. Let us make a better world for our industry!



## Contact us

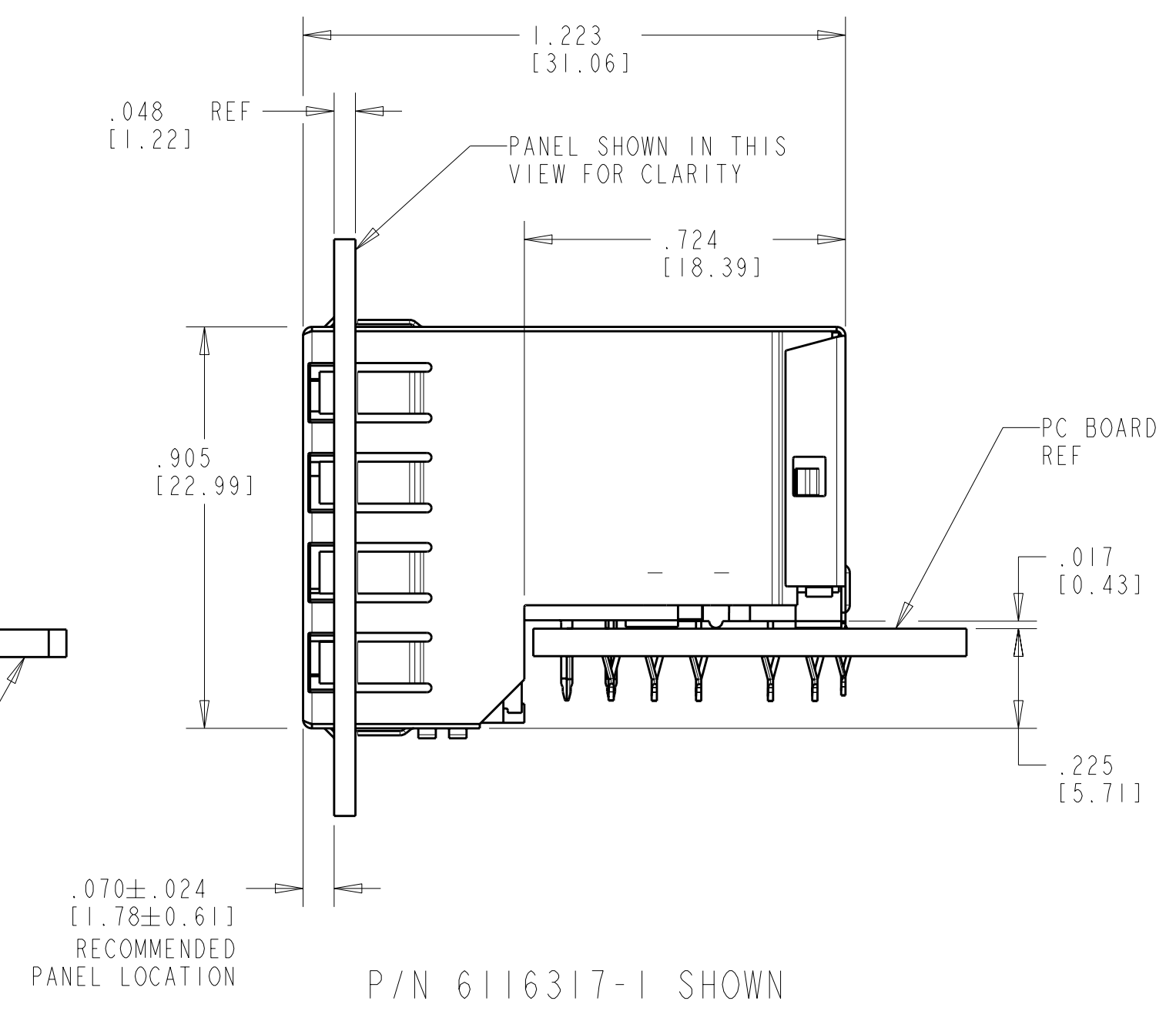
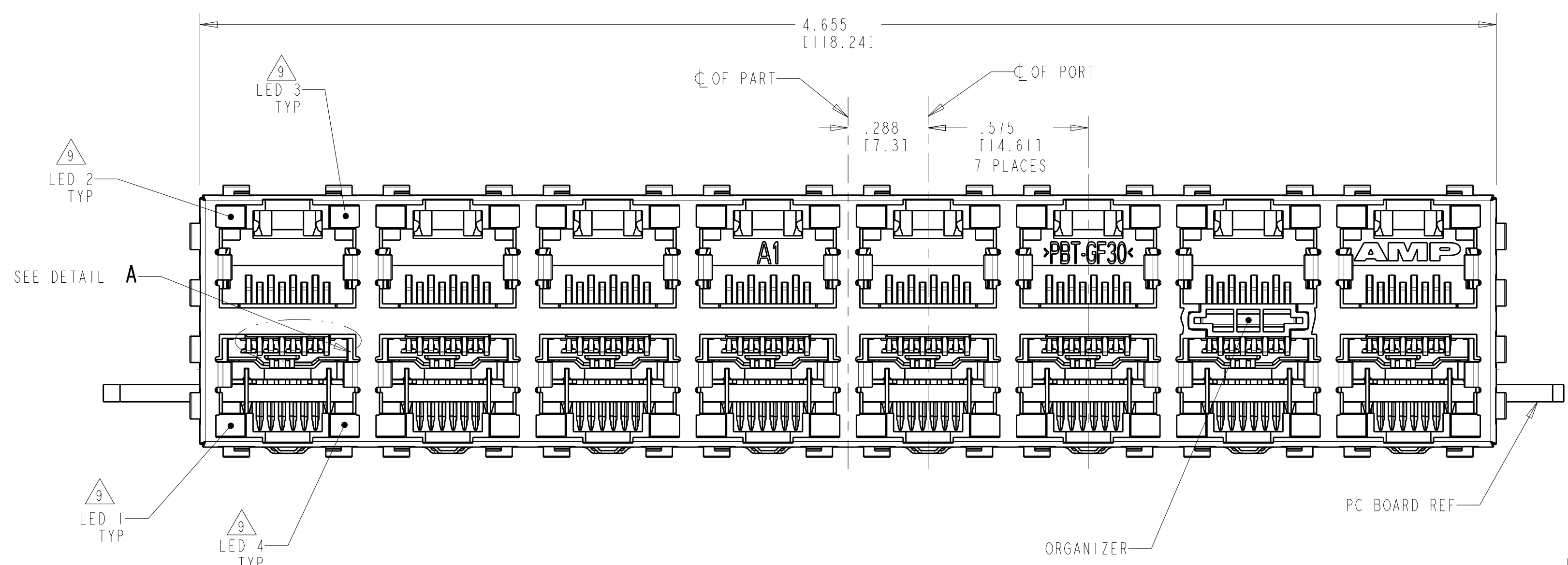
Tel: +86-755-8981 8866 Fax: +86-755-8427 6832

Email & Skype: info@chipsmall.com Web: www.chipsmall.com

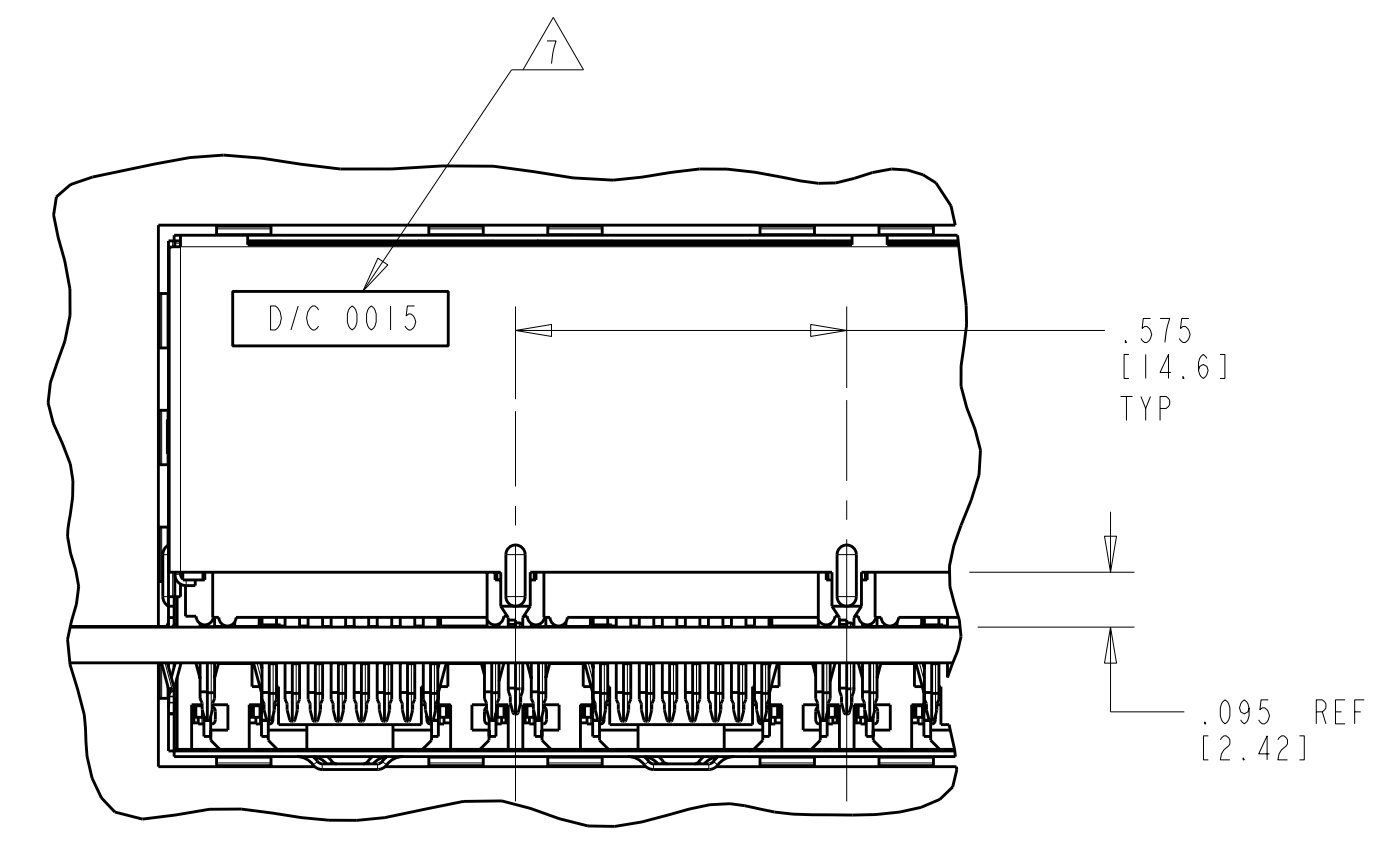
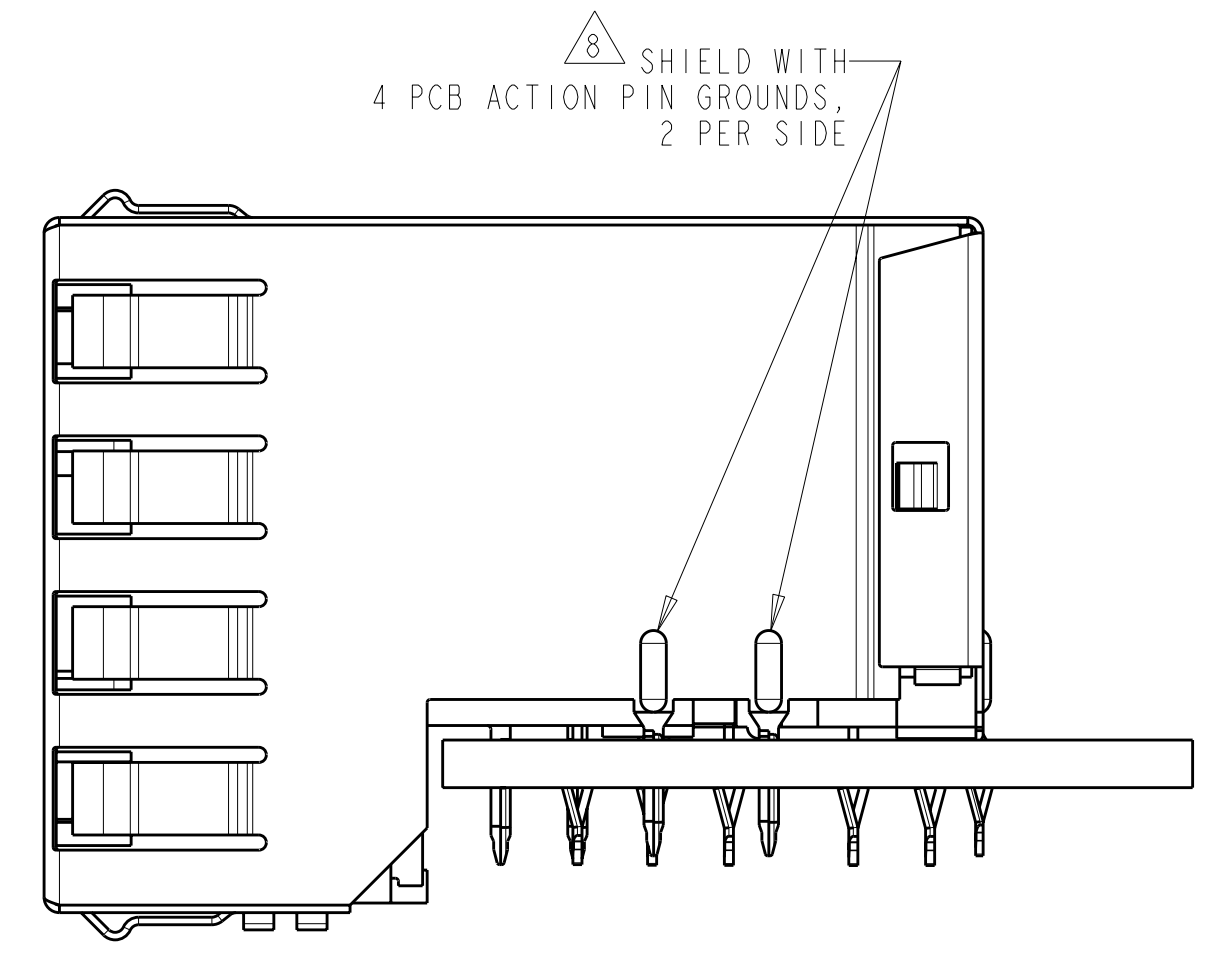
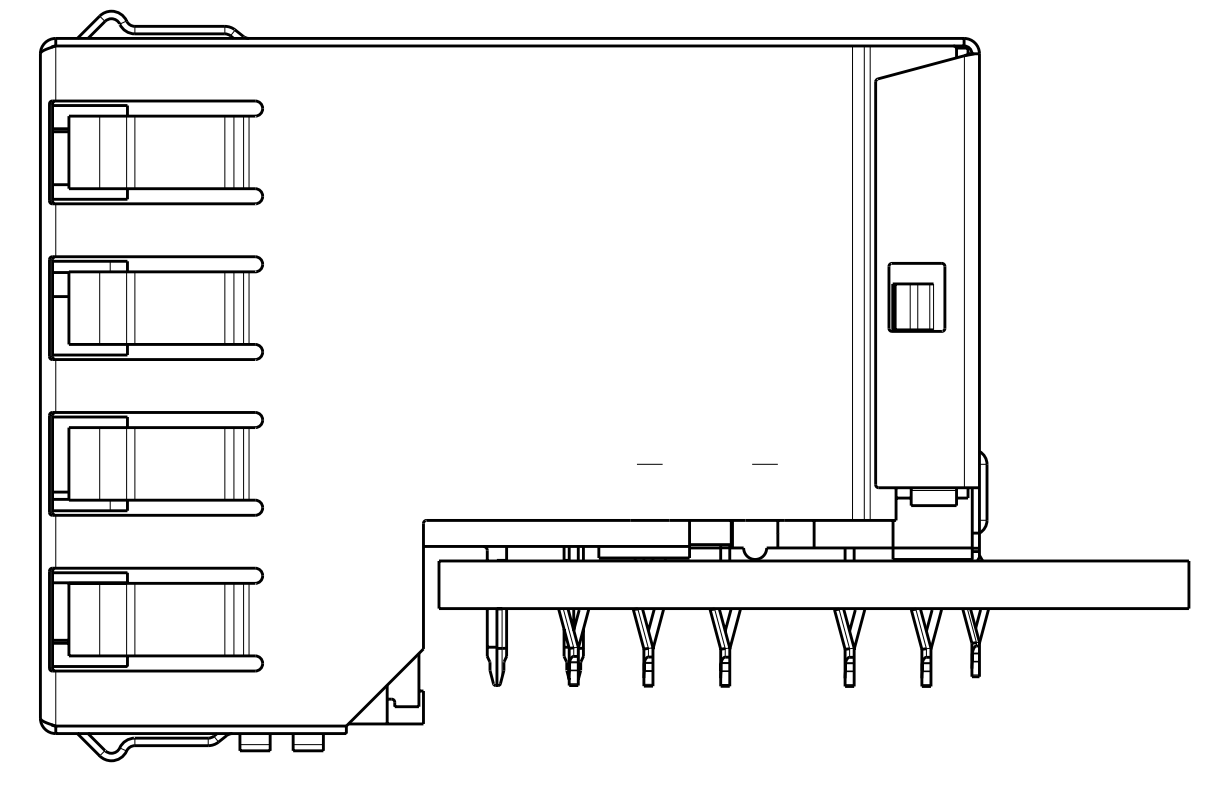
Address: A1208, Overseas Decoration Building, #122 Zhenhua RD., Futian, Shenzhen, China



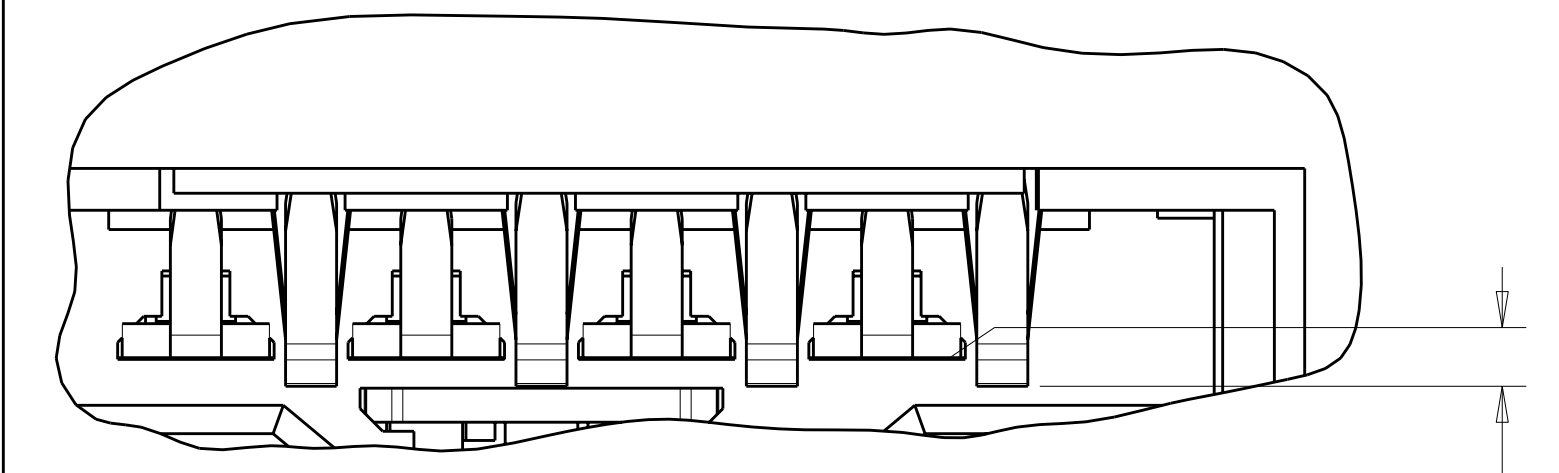
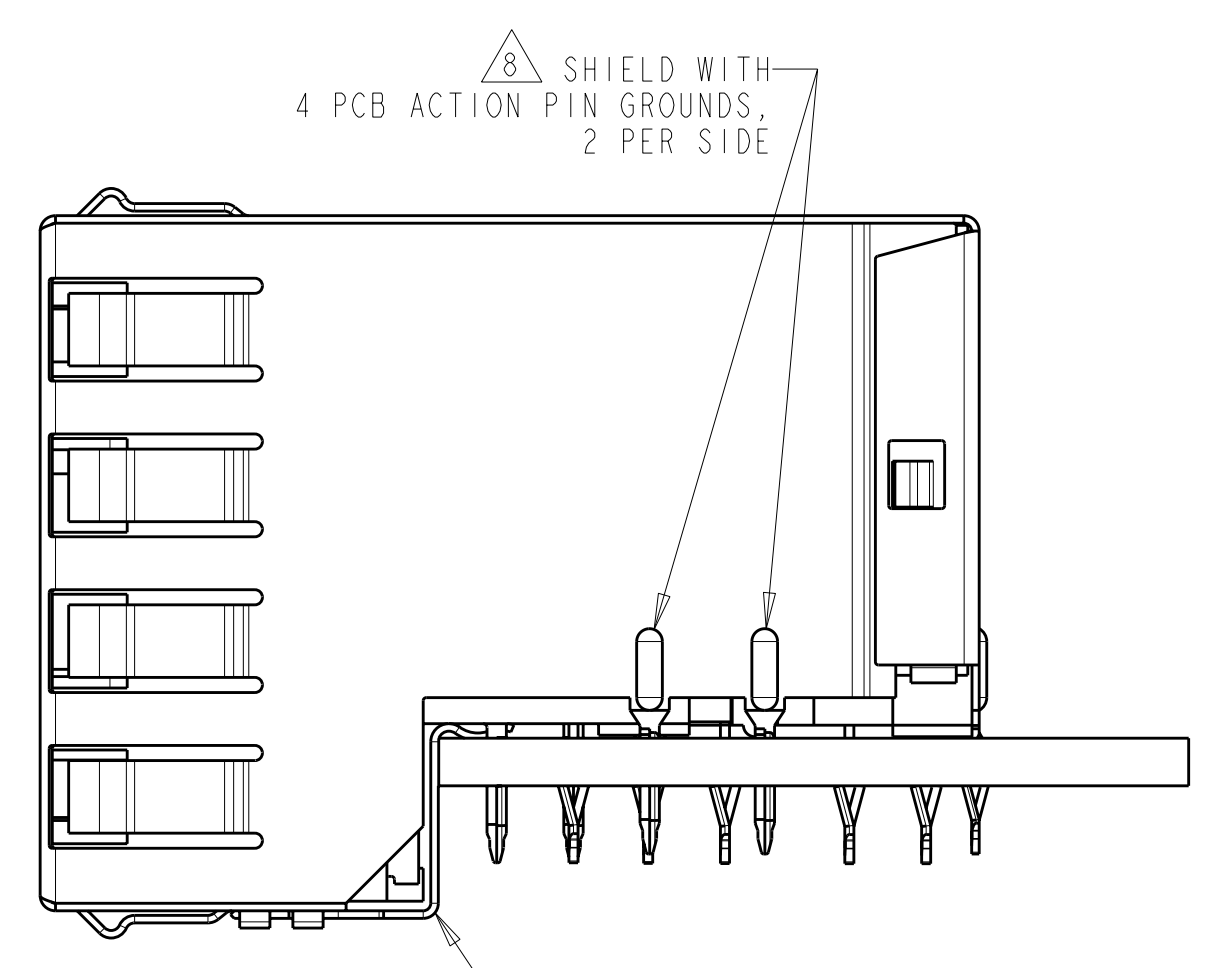
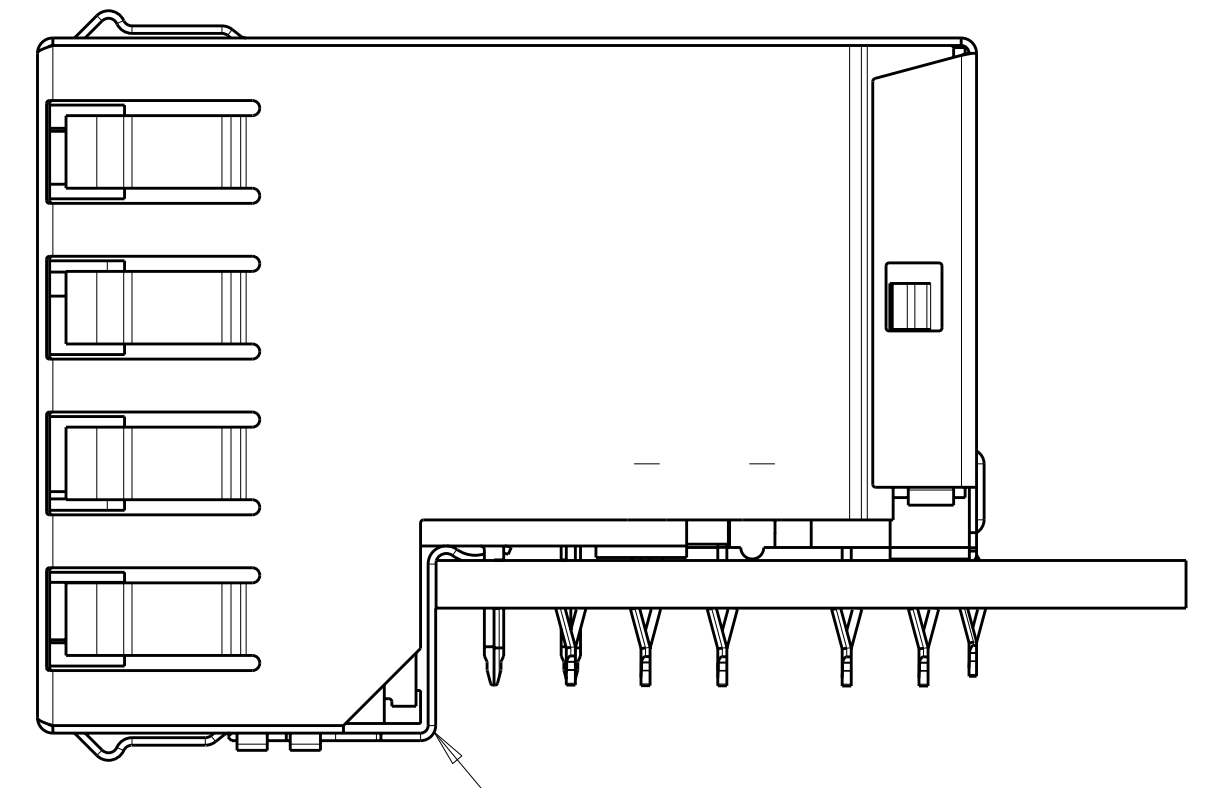
LOC	DIST	REV	DATE	BY	CHK	APPD
AA	22	C2	04MAY11	RK	HMR	



1. HOUSING: PBT POLYESTER, BLACK, UL 94V-0. TERMINALS: 0.30 THICK PHOS BRONZE PLATED WITH 1.27µm MINIMUM THICK HARD GOLD IN LOCALIZED AREA AND 2µm MINIMUM THICK MATTE TIN IN ACTION PIN COMPLIANT PIN TERMINAL AREA OVER 1.27µm MINIMUM THICK NICKEL UNDERPLATE. SHIELD: 0.25 THICK COPPER ALLOY PLATED WITH 2.03µm MINIMUM BRIGHT TIN OVER 1.27µm MINIMUM THICK COPPER ALLOY PLATED WITH 2.03µm MINIMUM MATTE TIN OVER 1.27µm MINIMUM THICK LIGHT EMITTING DIODE (LED): DIFFUSED EPOXY LENS, 12.95 CARBON STEEL WIREFRAME LEADS PLATED WITH 8.89µm TIN/COPPER OVER 2.03µm SILVER OVER 1.02µm COPPER OVER 3.56µm NICKEL OVER 1.02µm COPPER UNDERPLATE. LED ACTION PIN COMPLIANT PIN CONTACTS: 0.30 THICK BRASS PLATED WITH 2µm MINIMUM MATTE TIN.
2. JACK CAVITY CONFORMS TO FCC RULES AND REGULATIONS, PART 68 SUBPART F.
3. ALL DIMENSIONS ARE NOMINAL UNLESS OTHERWISE SPECIFIED.
4. TWO LEDS PER PORT, SIZE .079 X .118, SEE TABLE.
5. DRILLED HOLE DIA = .040±.001. COPPER THICKNESS = .001-.003. TIN THICKNESS = .0003 MIN.
6. DATUMS AND BASIC DIMENSIONS ESTABLISHED BY CUSTOMER.
7. DATE CODE LOCATED ON REAR OF PART APPROXIMATELY AS SHOWN.
8. THESE FOUR SIDE PCB ACTION PIN GROUNDS AND CORRESPONDING PCB HOLES ARE REQUIRED ONLY ON 6116317-2, 6116317-3, 6116317-5, 6116317-6, 6116317-7, -9 AND 1--0.
9. SUGGESTED OPERATING CURRENT FOR LEDS IS 20 mA.



RED/GREEN	RED/GREEN	RED/GREEN	RED/GREEN	1-6116317-0
GREEN/YELLOW	GREEN/YELLOW	RED/GREEN	RED/GREEN	6116317-9
GREEN/YELLOW	GREEN/YELLOW	RED/GREEN	RED/GREEN	6116317-8
GREEN	GREEN	YELLOW	YELLOW	6116317-7
YELLOW	YELLOW	GREEN	GREEN	6116317-6
GREEN/YELLOW	GREEN/YELLOW	GREEN/YELLOW	GREEN/YELLOW	6116317-5
GREEN	GREEN	GREEN	GREEN	6116317-4
GREEN	GREEN	GREEN	GREEN	6116317-3
GREEN	GREEN	GREEN	GREEN	6116317-2
GREEN	GREEN	GREEN	GREEN	6116317-1
LED #4 (LOWER-RIGHT)	LED #3 (UPPER-RIGHT)	LED #2 (UPPER-LEFT)	LED #1 (LOWER-LEFT)	PART NO.



8	4	8	1-6116317-0
8	4	8	6116317-9
NONE	NONE		6116317-8
NONE	4	8	6116317-7
NONE	4	8	6116317-6
NONE	4	8	6116317-5
8	NONE		6116317-4
8	4	8	6116317-3
NONE	4	8	6116317-2
NONE	NONE		6116317-1
GROUND CLIPS	SIDE PCB ACTION PIN GNDS		PART NUMBER

THIS DRAWING IS A CONTROLLED DOCUMENT.

DWN: L. VARELA - DOCKS 23 JUN 2005  
CHK: J. WESTMAN 23 JUN 2005  
APPD: S. FLICKINGER 23 JUN 2005

DIMENSIONS: INCHES (mm)

TOLERANCES UNLESS OTHERWISE SPECIFIED:

9 PLC	±
1 PLC	±
5 PLC	±.005 [0.13]
4 PLC	±.005 [0.13]
ANGLES	±

MATERIAL:

FINISH:

PRODUCT SPEC: 108-1854  
APPLICATION SPEC: 114-2160  
WEIGHT: 1 = 77.2 grams

NAME: STACKED MODULAR JACK ASSEMBLY, 2X8 WITH LEDS, 8 POSITION, SHIELDED PANEL GROUND, OFFSET, CAT 5

SIZE: A1  
CAGE CODE: 00779  
DRAWING NO: 6116317

RESTRICTED TO:

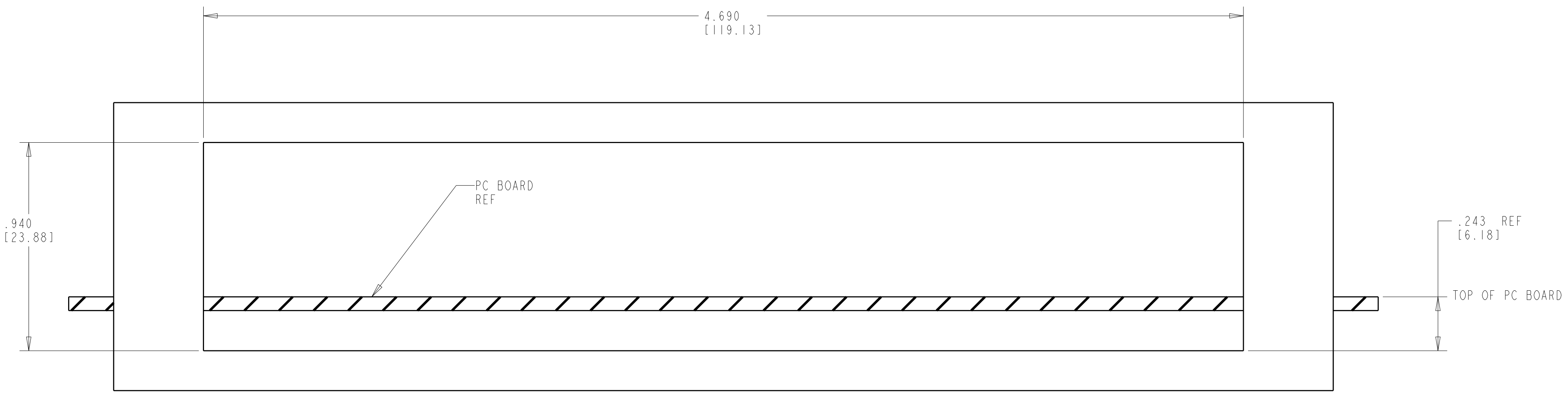
CUSTOMER DRAWING

SCALE: 3:1 SHEET 1 OF 3 REV: C2

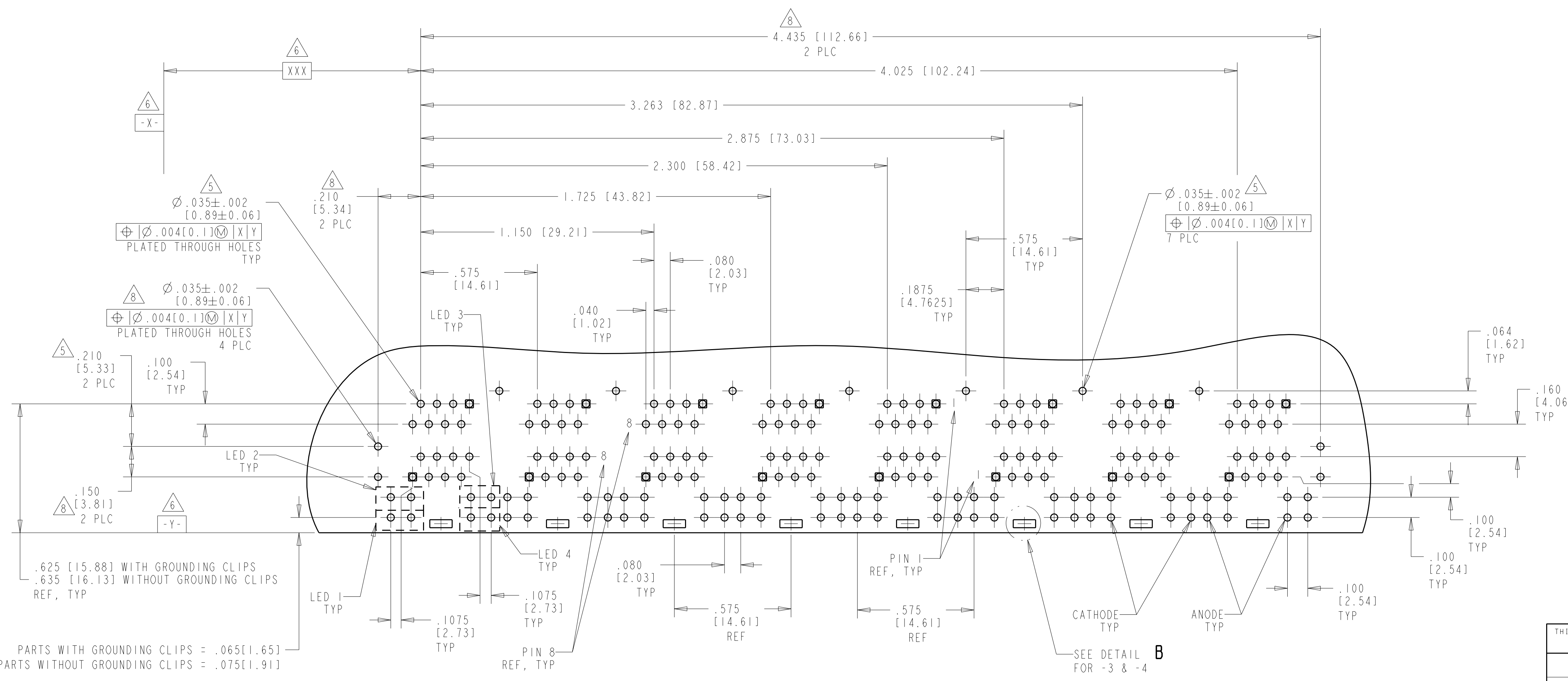
LOC	DIST	REV	DATE	BY	APPD
AA	22				

REVISIONS					
REV	DATE	BY	APPD	DESCRIPTION	DATE
-	-	-	-	SEE SHEET 1	-

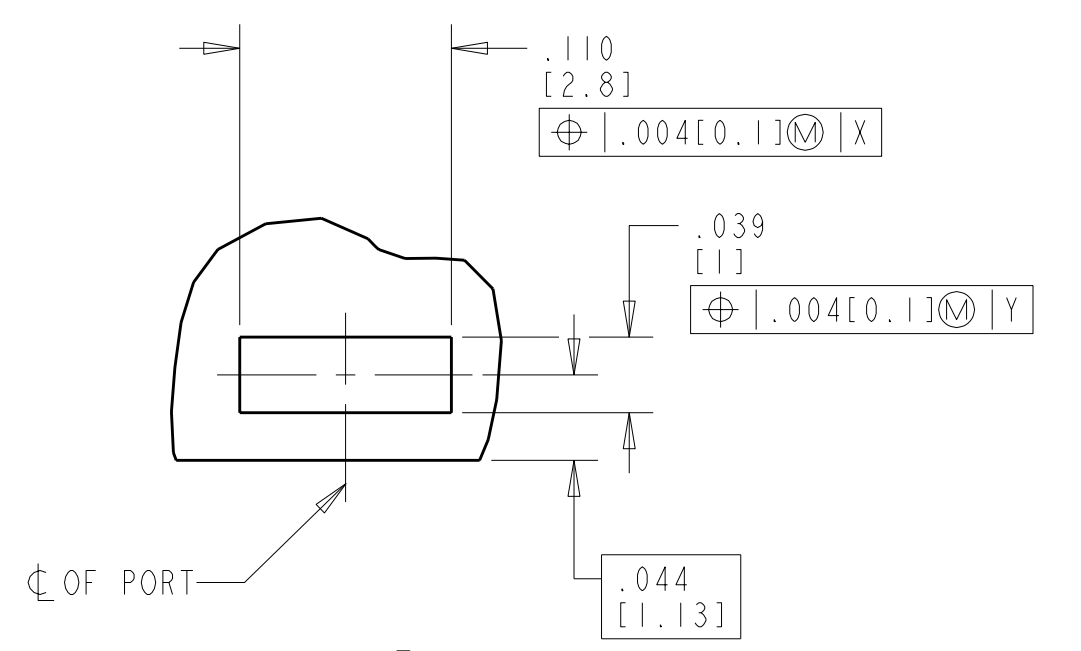


RECOMMENDED PANEL CUT-OUT



PARTS WITH GROUNDING CLIPS = .065 [1.65]  
 PARTS WITHOUT GROUNDING CLIPS = .075 [1.91]

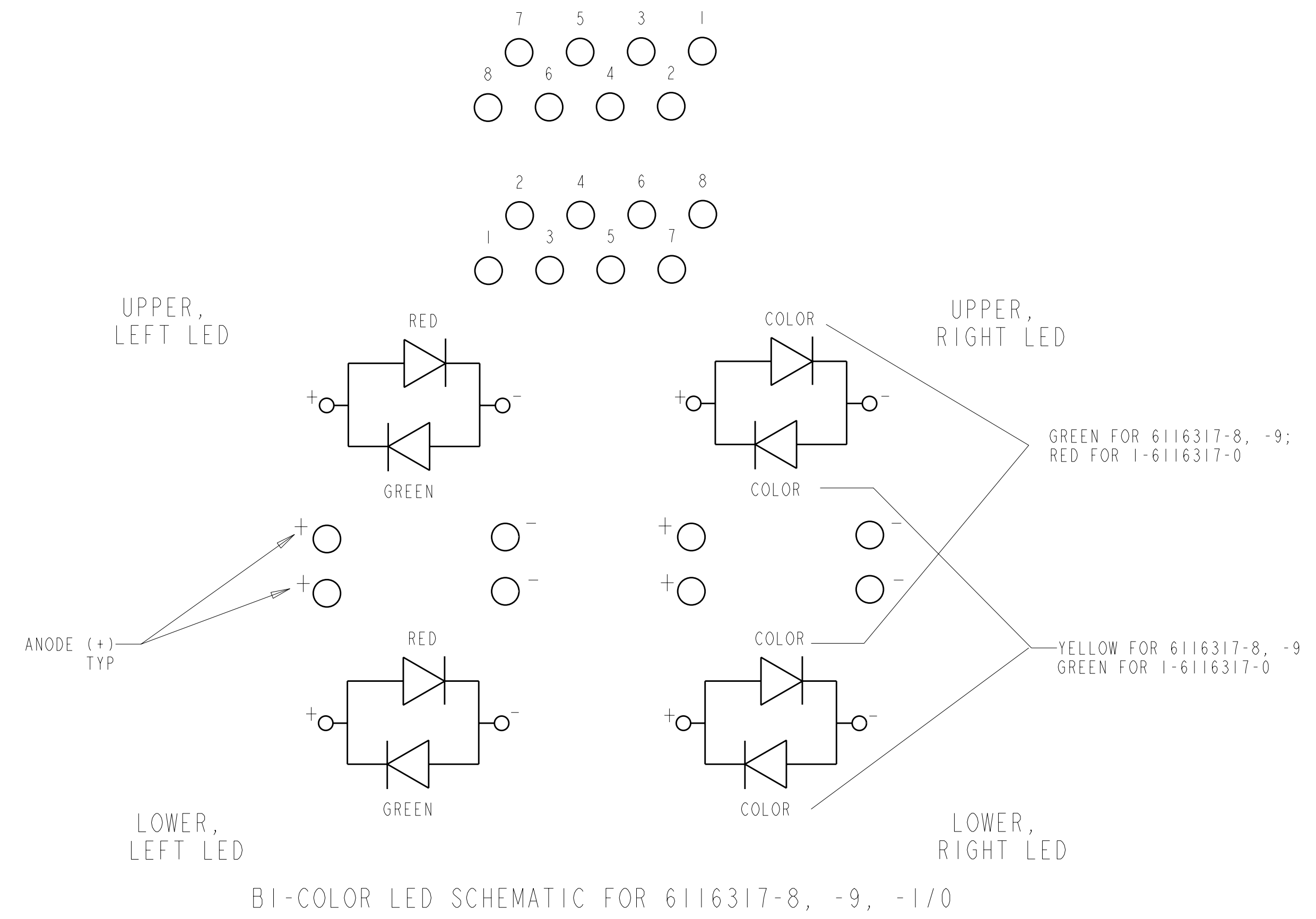
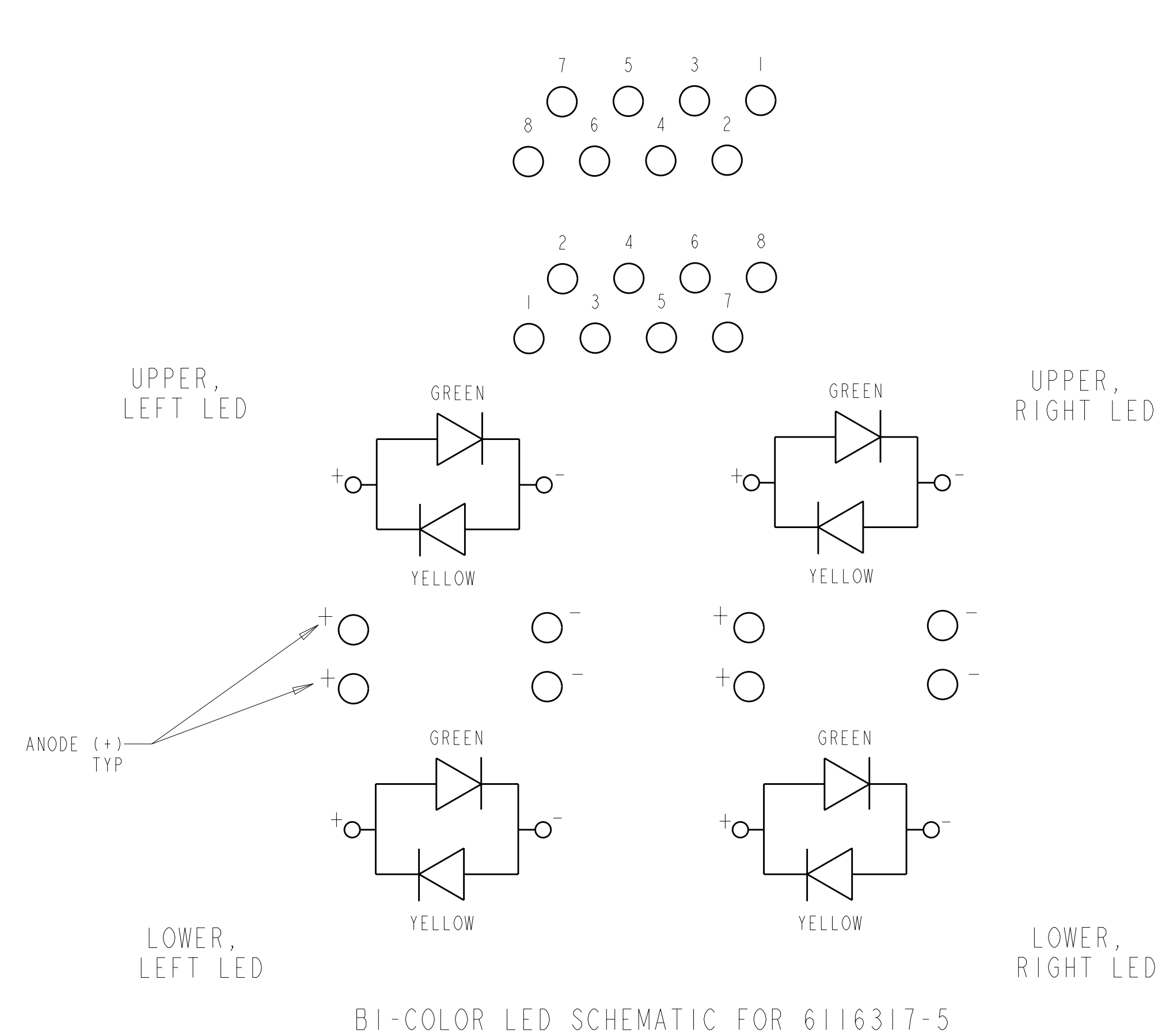
PC BOARD LAYOUT  
(COMPONENT SIDE)



DETAIL B  
 THESE PLATED PADS REQUIRED FOR 6116317-3 & -4  
 PRODUCTS WITH GROUNDING CLIPS  
 SCALE 10:1  
 8 PLACES

THIS DRAWING IS A CONTROLLED DOCUMENT.		DWN M. VARELA	23 JUN 2005	TE Connectivity
DIMENSIONS: INCHES [mm]		CHK J. WESTMAN	23 JUN 2005	
TOLERANCES UNLESS OTHERWISE SPECIFIED:		APVD S. FLICKINGER	23 JUN 2005	NAME STACKED MODULAR JACK ASSEMBLY, 2X8 WITH LEDs, 8 POSITION, SHIELDED PANEL GROUND, OFFSET, CAT 5
9 PLC ± 1 PLC ± 2 PLC ± 3 PLC ± 4 PLC ±.005 [0.13] ANGLES ±.005 [0.13]		PRODUCT SPEC 108-1854 APPLICATION SPEC 114-2160		
MATERIAL		WEIGHT		SIZE A1 00779
FINISH		CUSTOMER DRAWING		DRAWING NO C=6116317
		SCALE		SHEET 2 OF 3 REV C2

LOC	DIST	REVISIONS			
AA	22	REV	DATE	BY	APPD
		-	SEE SHEET 1	-	-



THIS DRAWING IS A CONTROLLED DOCUMENT.		DWN L. VARELA - DOCKS 23 JUN 2005	 TE Connectivity
DIMENSIONS: INCHES[mm]		CHK J. WESTMAN 23 JUN 2005	
TOLERANCES UNLESS OTHERWISE SPECIFIED:		APVD S. FLICKINGER 23 JUN 2005	NAME STACKED MODULAR JACK ASSEMBLY, 2X8 WITH LEDS, 8 POSITION, SHIELDED PANEL GROUND, OFFSET, CAT 5
9 PLC ± 1 PLC ± 2 PLC ± 3 PLC ± 4 PLC ±.005 [0.13] ANGLES ±		PRODUCT SPEC 108-1854	SIZE A1
MATERIAL		APPLICATION SPEC 114-2160	DRAWING NO 00779
FINISH		WEIGHT 77.2 grams	REV C2
		CUSTOMER DRAWING	SCALE 3:1 SHEET 3 OF 3