



Chipsmall Limited consists of a professional team with an average of over 10 year of expertise in the distribution of electronic components. Based in Hongkong, we have already established firm and mutual-benefit business relationships with customers from,Europe,America and south Asia,supplying obsolete and hard-to-find components to meet their specific needs.

With the principle of “Quality Parts,Customers Priority,Honest Operation,and Considerate Service”,our business mainly focus on the distribution of electronic components. Line cards we deal with include Microchip,ALPS,ROHM,Xilinx,Pulse,ON,Everlight and Freescale. Main products comprise IC,Modules,Potentiometer,IC Socket,Relay,Connector.Our parts cover such applications as commercial,industrial, and automotives areas.

We are looking forward to setting up business relationship with you and hope to provide you with the best service and solution. Let us make a better world for our industry!



## Contact us

Tel: +86-755-8981 8866 Fax: +86-755-8427 6832

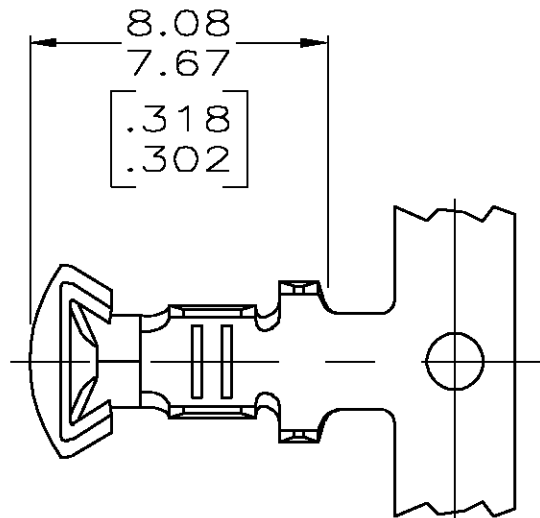
Email & Skype: info@chipsmall.com Web: www.chipsmall.com

Address: A1208, Overseas Decoration Building, #122 Zhenhua RD., Futian, Shenzhen, China

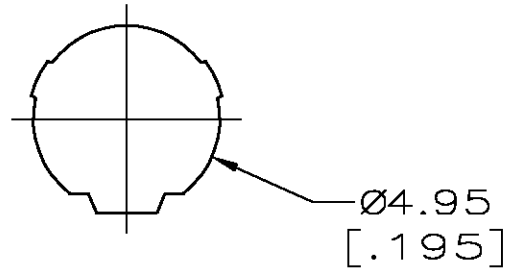
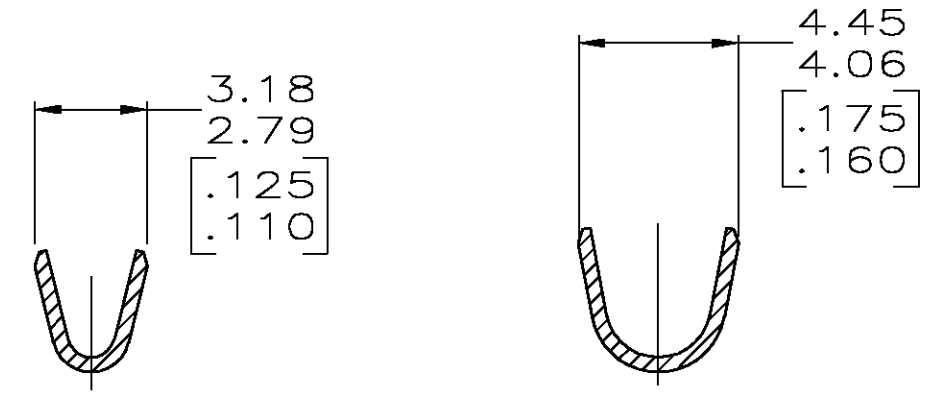
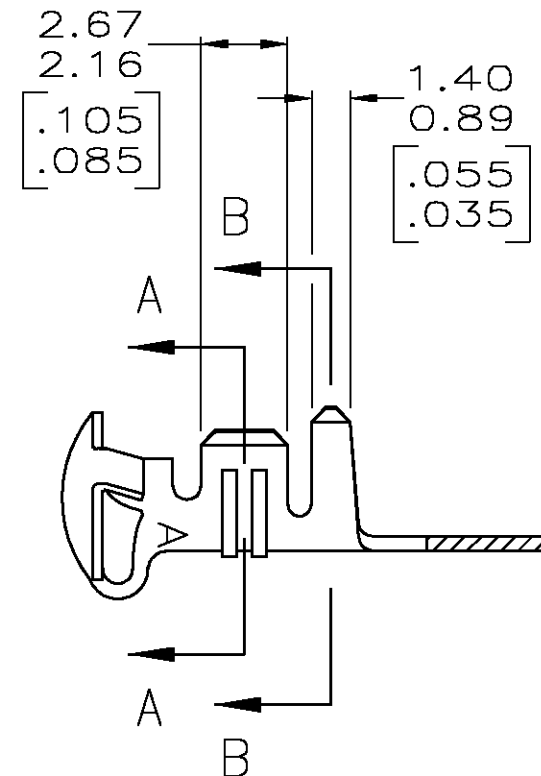


THIS DRAWING IS UNPUBLISHED. RELEASED FOR PUBLICATION  
 © COPYRIGHT BY TYCO ELECTRONICS CORPORATION. ALL RIGHTS RESERVED.

LOC	DIST	REVISIONS			
P	LTR	DESCRIPTION	DATE	DWN	APVD
AF	50	H	REV PER 0G3A-0736-03	14NOV03	JR EH



1. WIRE RANGE: 0.5 - 1.4 mm<sup>2</sup> [20 - 16 AWG].
2. INSULATION RANGE: 2.29 - 3.18 [.090 - .125] DIA.
3. DIMENSION IN BRACKETS ARE IN INCHES.



.000080 MIN TIN PLATED	61165-2
-	61165-1
FINISH	PART NO

THIS DRAWING IS A CONTROLLED DOCUMENT.		DWN T. BECK 2-18-94	Tyco Electronics Corporation Harrisburg, PA 17105		
DIMENSIONS: MM [INCHES]		CHK R. SWING 2-18-94			
TOLERANCES UNLESS OTHERWISE SPECIFIED:		APVD R. GRAY 2-18-94	NAME BUTTON CONTACT		
0 PLC ± - 1 PLC ± - 2 PLC ± 0.13 [.005] 3 PLC ± - 4 PLC ± - ANGLES ± -		PRODUCT SPEC -	SIZE A3		
MATERIAL 0.41 [.016] BRASS		FINISH SEE TABLE	APPLICATION SPEC -	CAGE CODE 00779	DRAWING NO C-61165
CUSTOMER DRAWING			WEIGHT -	RESTRICTED TO -	SCALE 5:1
			SHEET 1 OF 1		REV H