



Chipsmall Limited consists of a professional team with an average of over 10 year of expertise in the distribution of electronic components. Based in Hongkong, we have already established firm and mutual-benefit business relationships with customers from,Europe,America and south Asia,supplying obsolete and hard-to-find components to meet their specific needs.

With the principle of "Quality Parts,Customers Priority,Honest Operation,and Considerate Service",our business mainly focus on the distribution of electronic components. Line cards we deal with include Microchip,ALPS,ROHM,Xilinx,Pulse,ON,Everlight and Freescale. Main products comprise IC,Modules,Potentiometer,IC Socket,Relay,Connector.Our parts cover such applications as commercial,industrial, and automotives areas.

We are looking forward to setting up business relationship with you and hope to provide you with the best service and solution. Let us make a better world for our industry!



Contact us

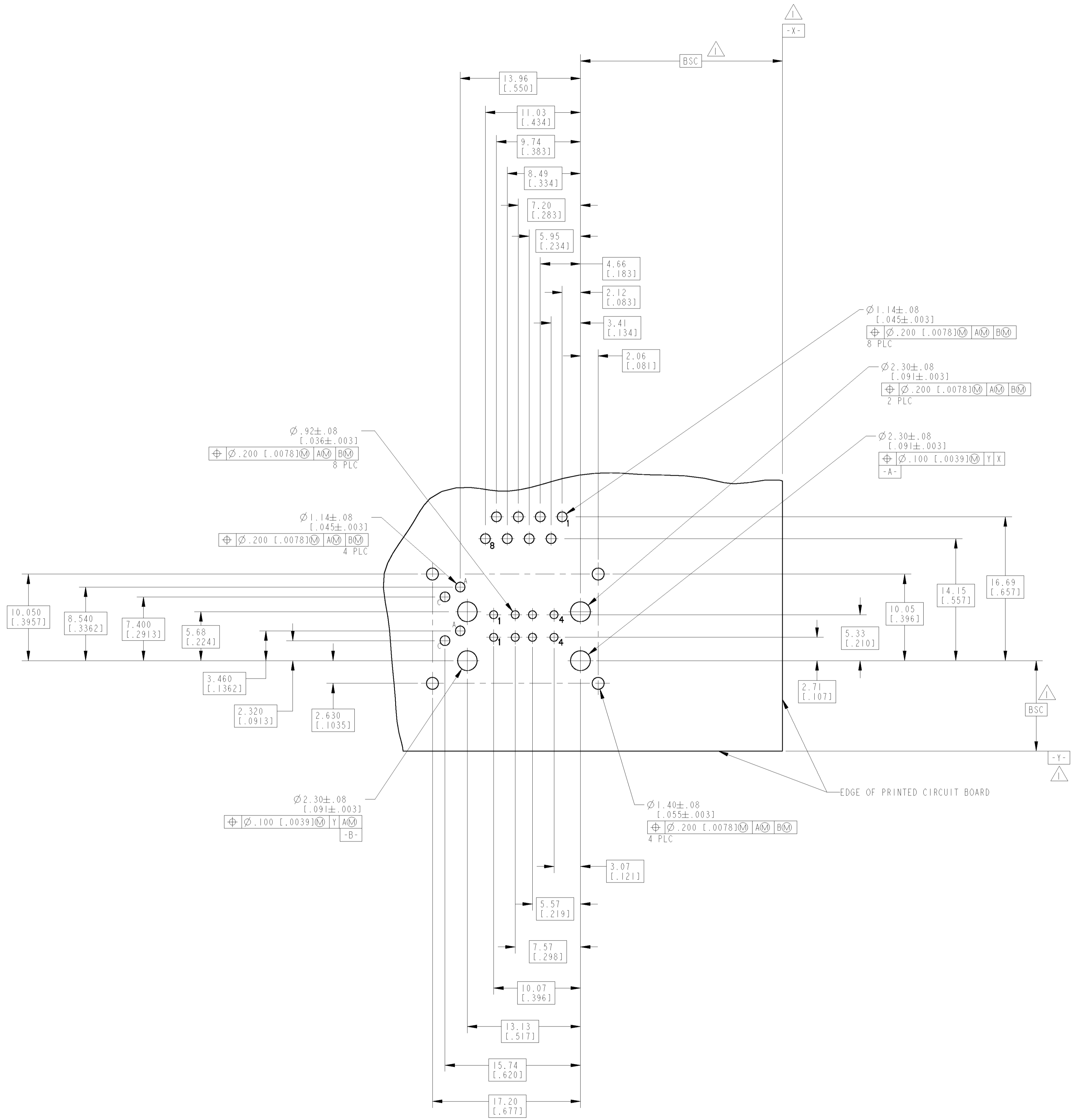
Tel: +86-755-8981 8866 Fax: +86-755-8427 6832

Email & Skype: info@chipsmall.com Web: www.chipsmall.com

Address: A1208, Overseas Decoration Building, #122 Zhenhua RD., Futian, Shenzhen, China



LOC		DIST		REVISIONS			
P	LTR	DESCRIPTION	DATE	DRN	APVD		
-	-	SEE SHEET 1	-	-	-		



RECOMMENDED PCB LAYOUT \triangle

<small>THIS DRAWING IS UNPUBLISHED. RELEASED FOR PUBLICATION. IT IS THE PROPERTY OF TYCO ELECTRONICS CORPORATION. IT IS TO BE USED ONLY FOR THE SPECIFIC PROJECT AND ORGANIZATION FOR WHICH IT WAS PREPARED. IT IS NOT TO BE REPRODUCED OR TRANSMITTED IN ANY FORM OR BY ANY MEANS, ELECTRONIC OR MECHANICAL, INCLUDING PHOTOCOPYING, RECORDING, OR BY ANY INFORMATION STORAGE AND RETRIEVAL SYSTEM, WITHOUT THE WRITTEN PERMISSION OF TYCO ELECTRONICS CORPORATION.</small>		DRN: J. GERACE/L. A. MAYER CDR: J. WESTMAN APVD: S. FLICKINGER DATE: 14APR2005	tyco Electronics AMP Incorporated Harrisburg, PA 17105-3608
DIMENSIONS: mm [INCHES] 	TOLERANCES UNLESS OTHERWISE SPECIFIED: 0 PLC ± 1 PLC ± 2 PLC ±0.13(.005) 3 PLC ± 4 PLC ± ANGLES ±1° FINISH SEE NOTE 4	NAME: S. FLICKINGER PRODUCT SPEC: APPLICATION SPEC: WEIGHT: CUSTOMER DRAWING	ASSEMBLY, RJ-45 MODULAR JACK OVER STACKED USB RECEPTACLE SIZE: A 00779 C=6116640 SCALE: 4:1 SHEET 2 OF 2 REV A

LOC	DIST	REVISIONS					
AA	22	P	LTR	DESCRIPTION	DATE	DRN	APVD
		A		ECOS11-0204-04	14APR2005	LAM	SF

- 1 DATUM AND BASIC DIMENSION ESTABLISHED BY CUSTOMER.
- 2 RECOMMENDED PC BOARD THICKNESS IS 2.36(.093.)
- 3 RJ45 JACK CAVITY CONFORMS TO FCC RULES AND REGULATIONS, PART 68 SUBPART F

4. MATERIAL:

HOUSING: PLASTIC HOUSINGS: UL94V-0/5V THERMOPLASTIC. SEE TABLE FOR COLOR.

TERMINAL: USB: 0.251±0.013 THICK PHOSPHOR BRONZE PLATED WITH 1.27µm NICKEL. IN LOCALIZED GOLD PLATE AREA 0.076µm MIN GOLD OVER 0.76µm MIN PALLADIUM-NICKEL IS ADDED OVER NICKEL UNDERPLATE. IN SOLDER AREA 3.8µm MIN TIN IS ADDED OVER NICKEL UNDERPLATE.

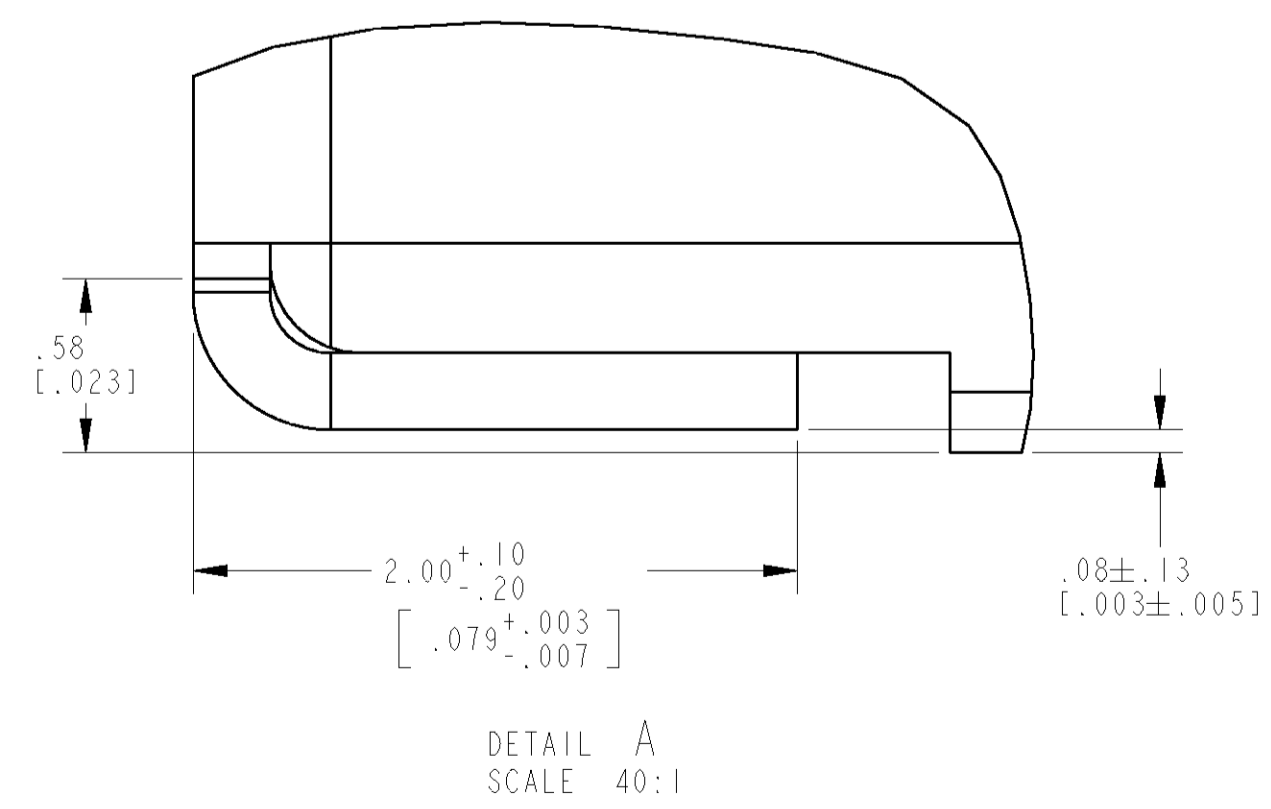
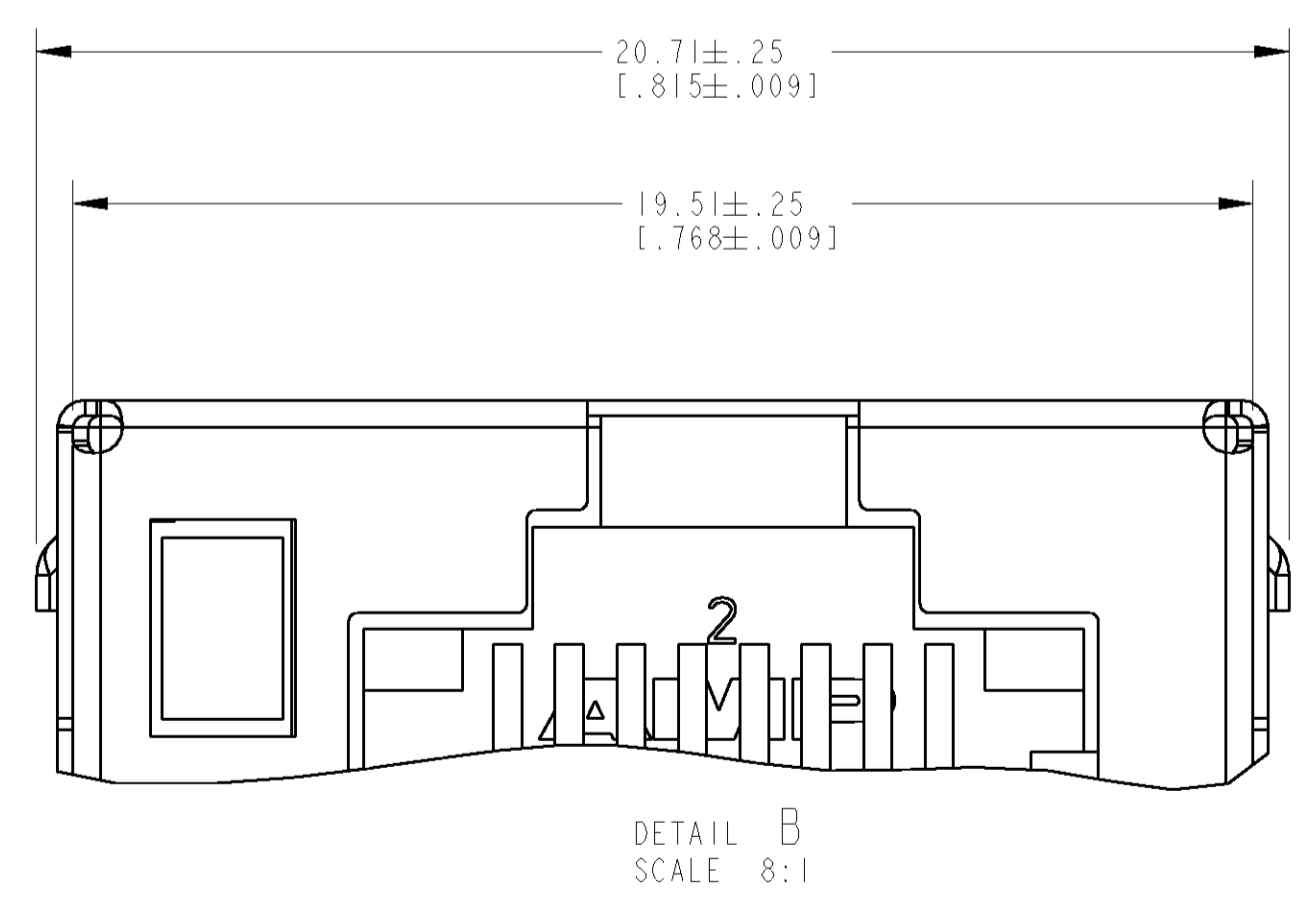
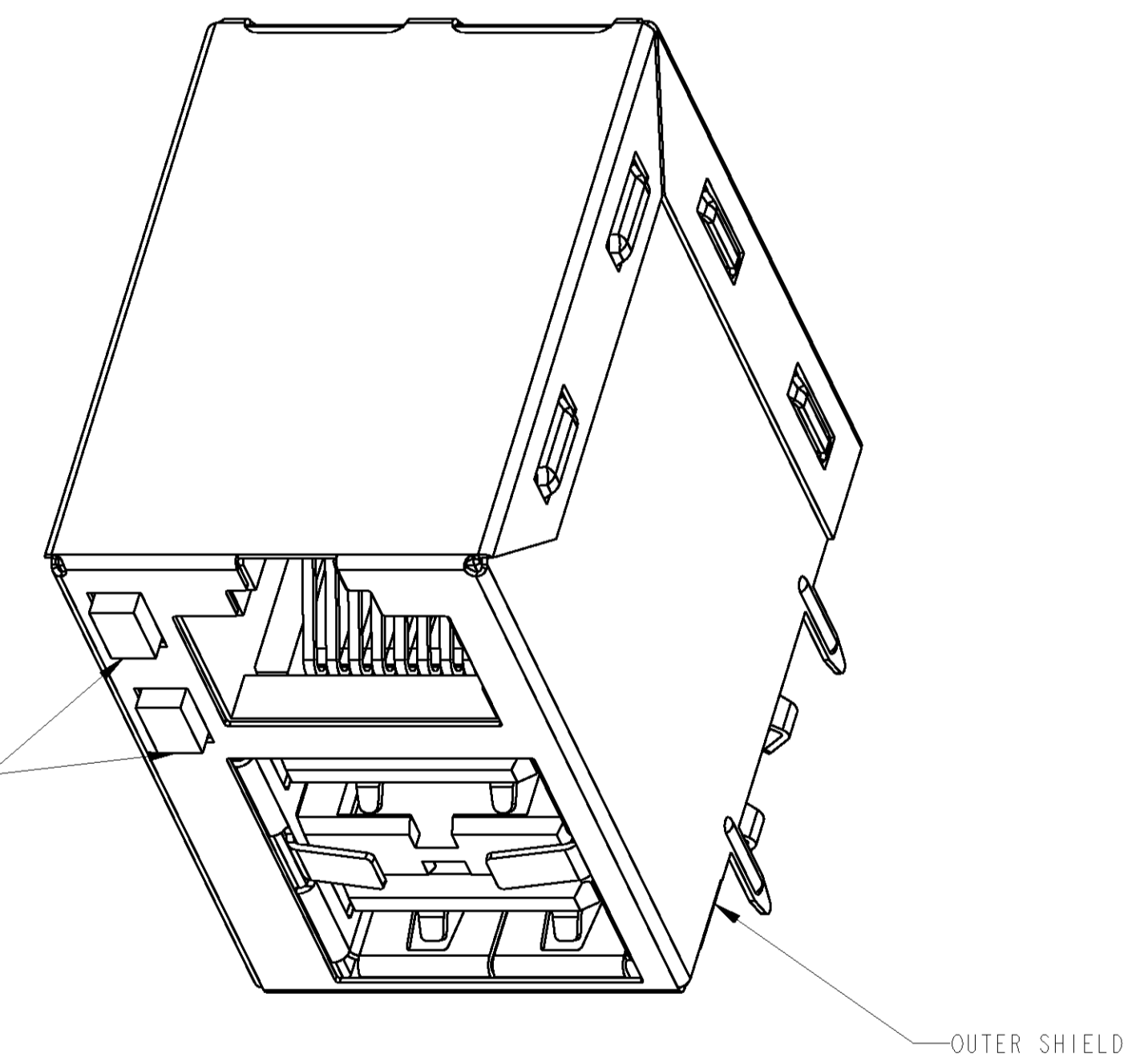
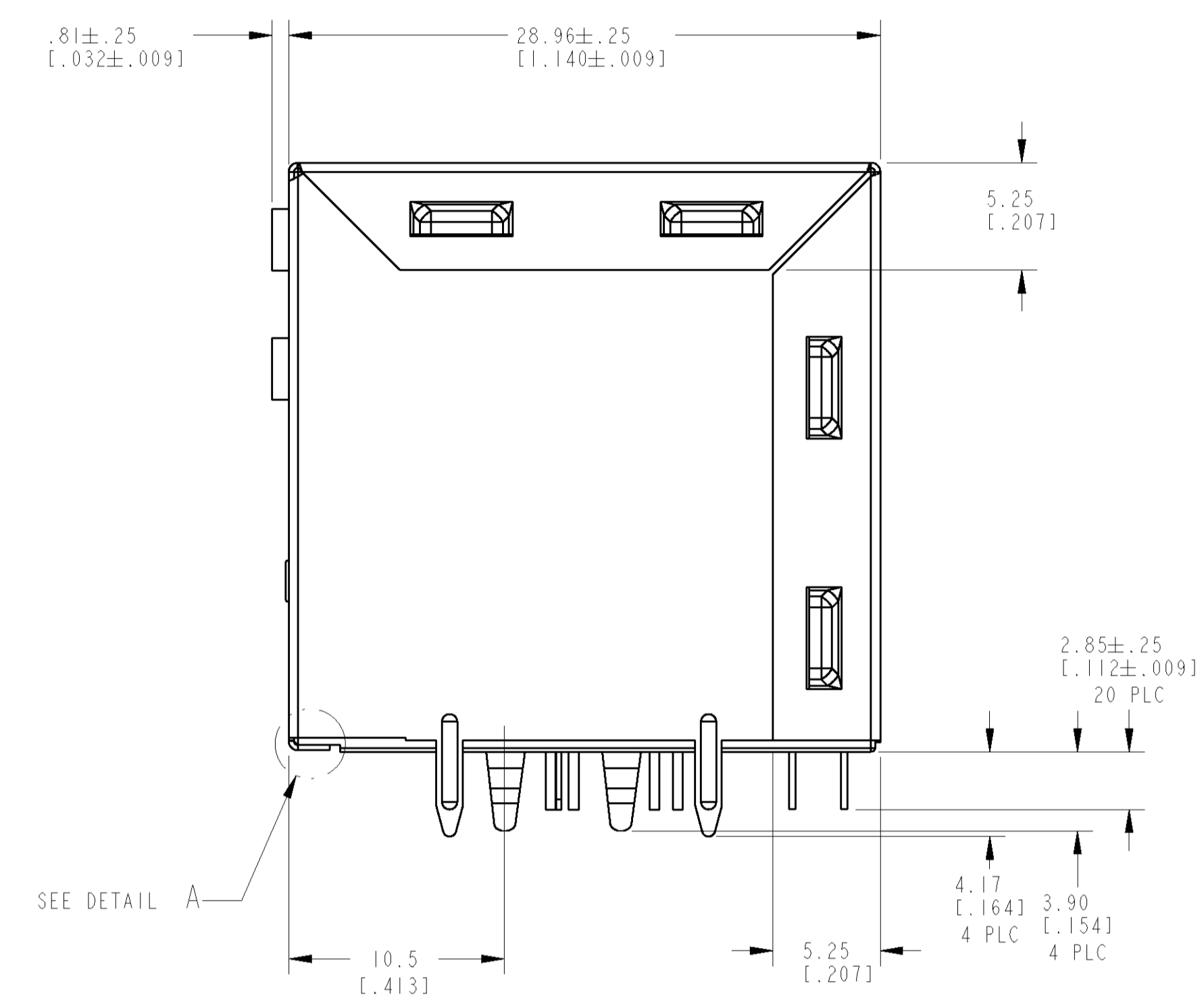
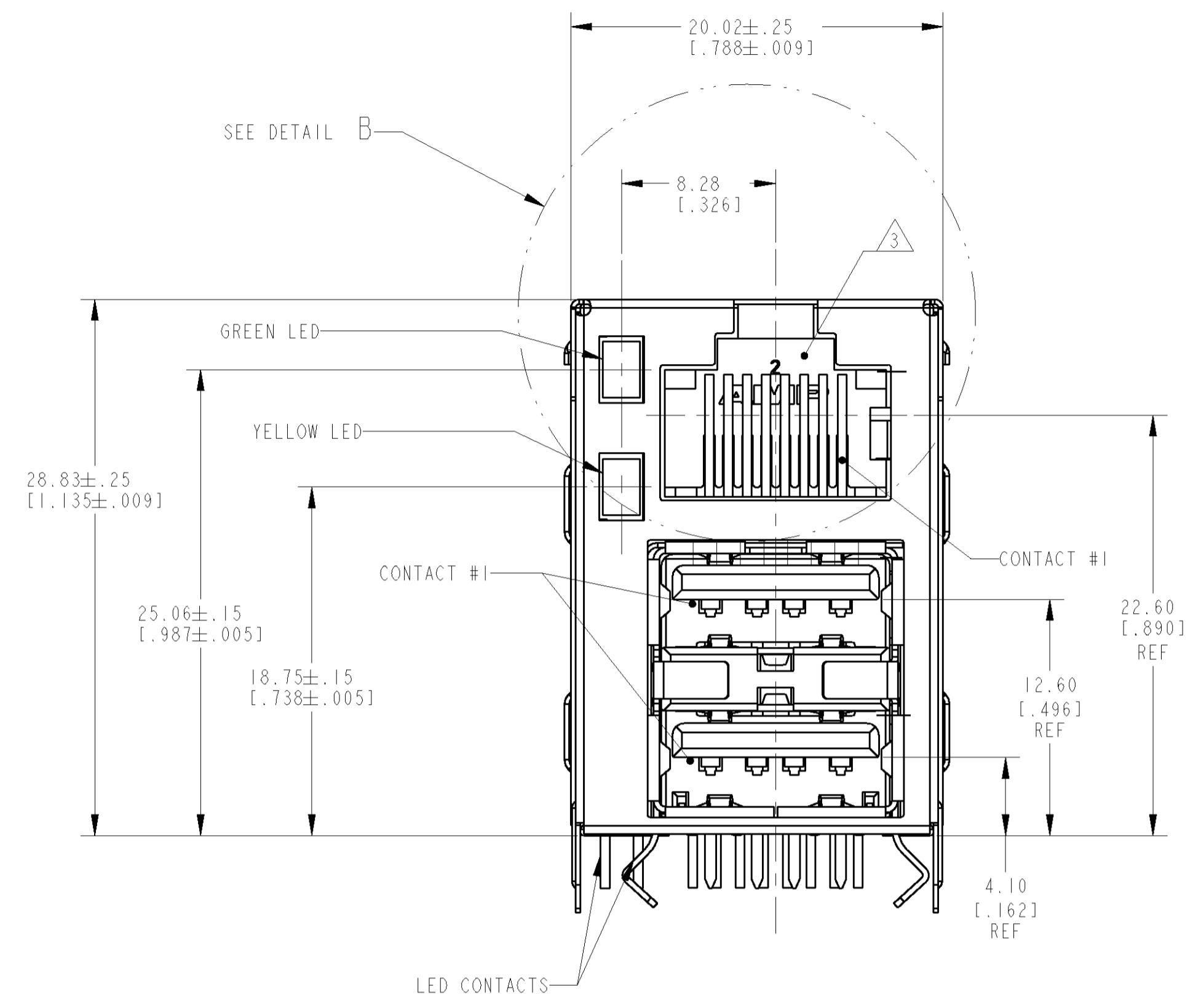
RJ45: 0.318 THICK PHOSPHOR BRONZE PLATED WITH 1.27µm MIN THICK NICKEL. IN LOCALIZED GOLD PLATE AREA 1.27µm MIN THICK GOLD IS ADDED OVER NICKEL UNDERPLATE. IN SOLDER AREA 3.8µm MIN TIN IS ADDED OVER NICKEL UNDERPLATE.

LED: 0.5 DIAMETER CARBON STEEL LEADS PREPLATED WITH 8.89µm THICK Sn/Cu, OVER 2.03µm THICK Ag, OVER 1.02µm THICK Cu, OVER 3.56µm THICK Ni, OVER 1.02µm Cu UNDERPLATE

SHIELD: OUTER: 0.254 THICK COPPER-ZINC ALLOY PREPLATED WITH TIN 2µm TO 3.8µm THICK.

INNER: 0.318 THICK COPPER-ZINC ALLOY PREPLATED WITH TIN 2µm TO 3.8µm THICK.

USB: 0.318 THICK PHOSPHOR-BRONZE PREPLATED WITH 5.1µm MIN TIN



WITH LEADS		6116640-1	
DESCRIPTION		PART NO.	
DIMENSIONS: mm [INCHES] TOLERANCES UNLESS OTHERWISE SPECIFIED: 0 PLC ± 1 PLC ± 2 PLC ± 3 PLC ±0.13(.005) 4 PLC ± ANGLES ±1° MATERIAL: SEE NOTE 4 FINISH: SEE NOTE 4		DWN: J. GERACE/L. Z. MAYER CDR: J. WESTMAN APVD: S. FLICKINGER DATE: 14APR2005 NAME: S. FLICKINGER PRODUCT SPEC: - APPLICATION SPEC: - WEIGHT: - CUSTOMER DRAWING: -	
AMP Incorporated Harrisburg, PA 17105-3608		ASSEMBLY, RJ-45 MODULAR JACK OVER STACKED USB RECEPTACLE	
SIZE: A CAGE CODE: 00779 DRAWING NO: 6116640		RESTRICTED TO: - SCALE: 4:1 SHEET: 1 OF 2 REV: A	