



Chipsmall Limited consists of a professional team with an average of over 10 year of expertise in the distribution of electronic components. Based in Hongkong, we have already established firm and mutual-benefit business relationships with customers from,Europe,America and south Asia,supplying obsolete and hard-to-find components to meet their specific needs.

With the principle of “Quality Parts,Customers Priority,Honest Operation,and Considerate Service”,our business mainly focus on the distribution of electronic components. Line cards we deal with include Microchip,ALPS,ROHM,Xilinx,Pulse,ON,Everlight and Freescale. Main products comprise IC,Modules,Potentiometer,IC Socket,Relay,Connector.Our parts cover such applications as commercial,industrial, and automotives areas.

We are looking forward to setting up business relationship with you and hope to provide you with the best service and solution. Let us make a better world for our industry!



Contact us

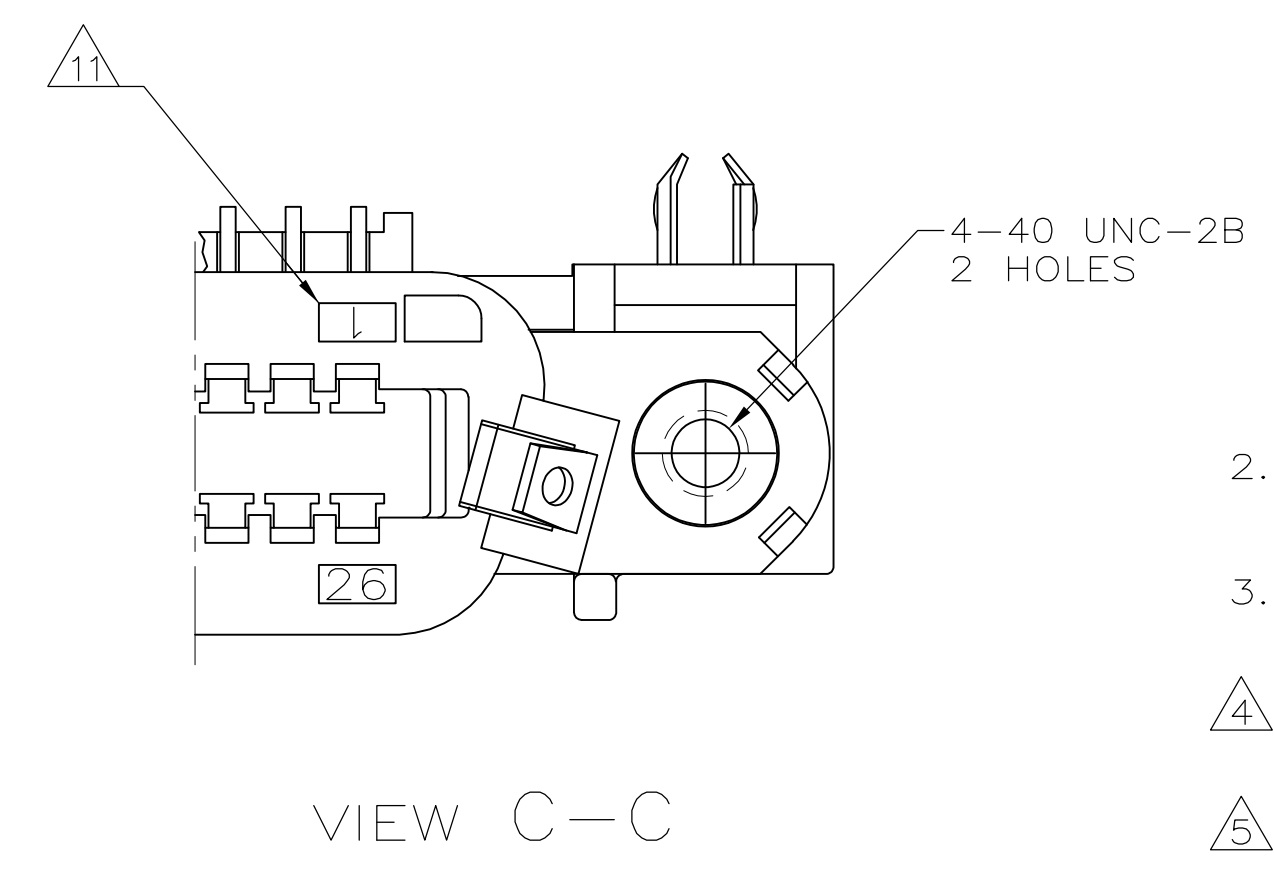
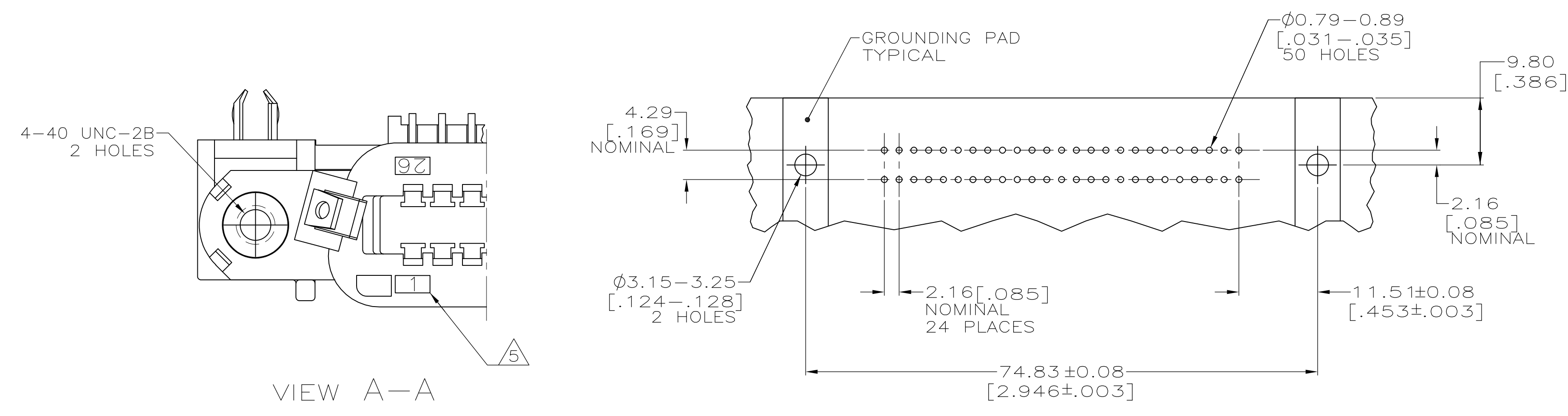
Tel: +86-755-8981 8866 Fax: +86-755-8427 6832

Email & Skype: info@chipsmall.com Web: www.chipsmall.com

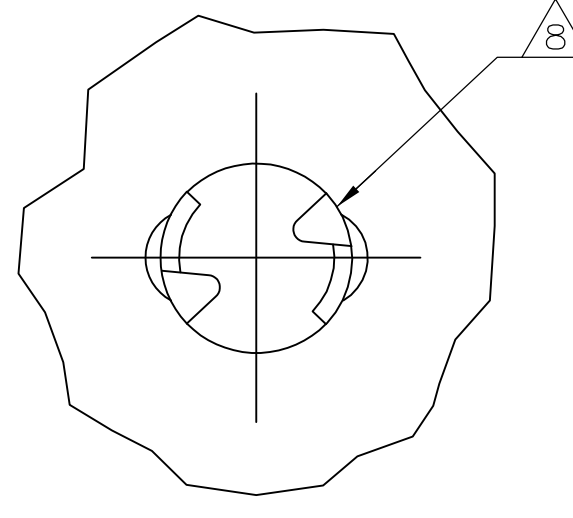
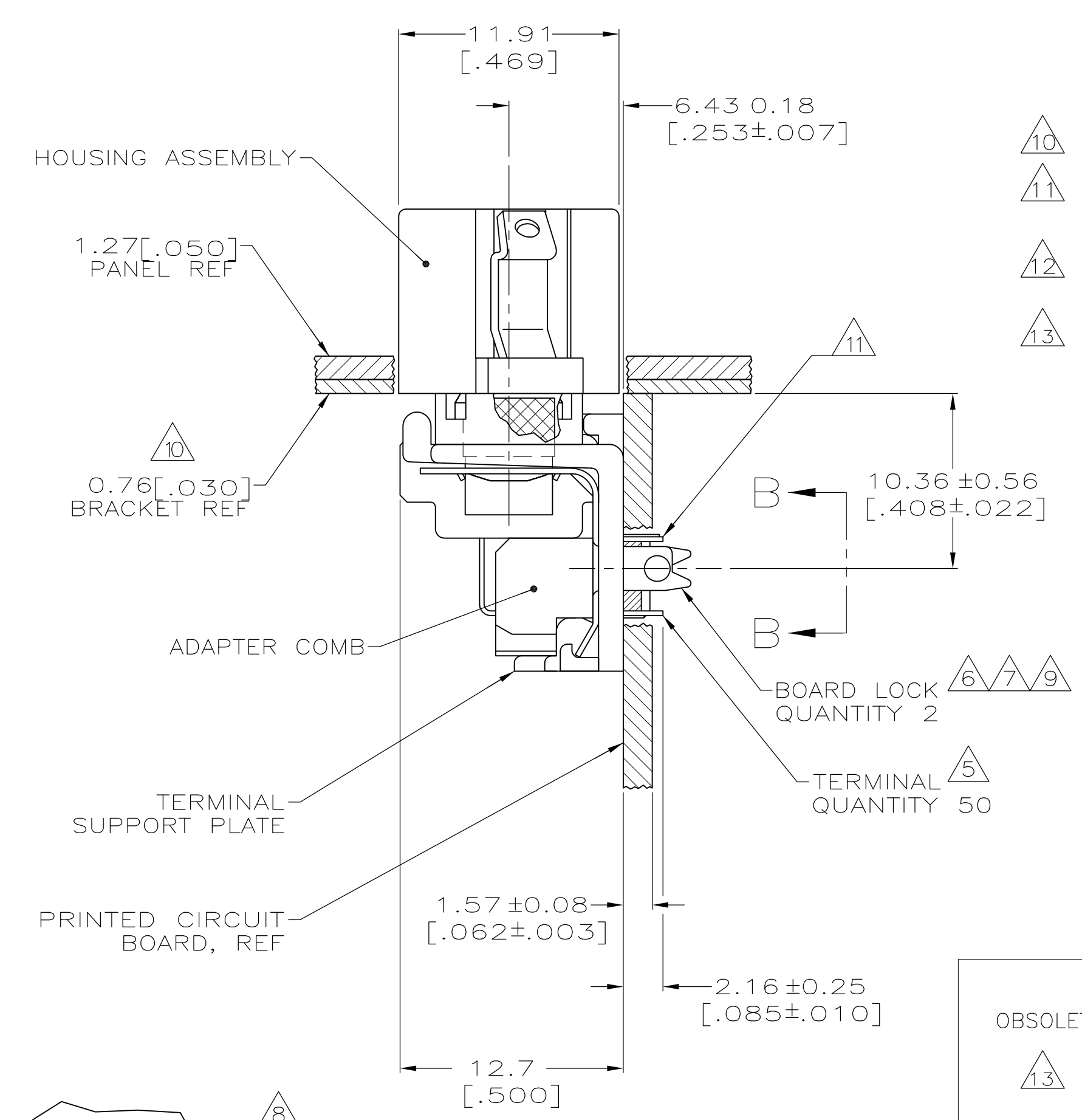
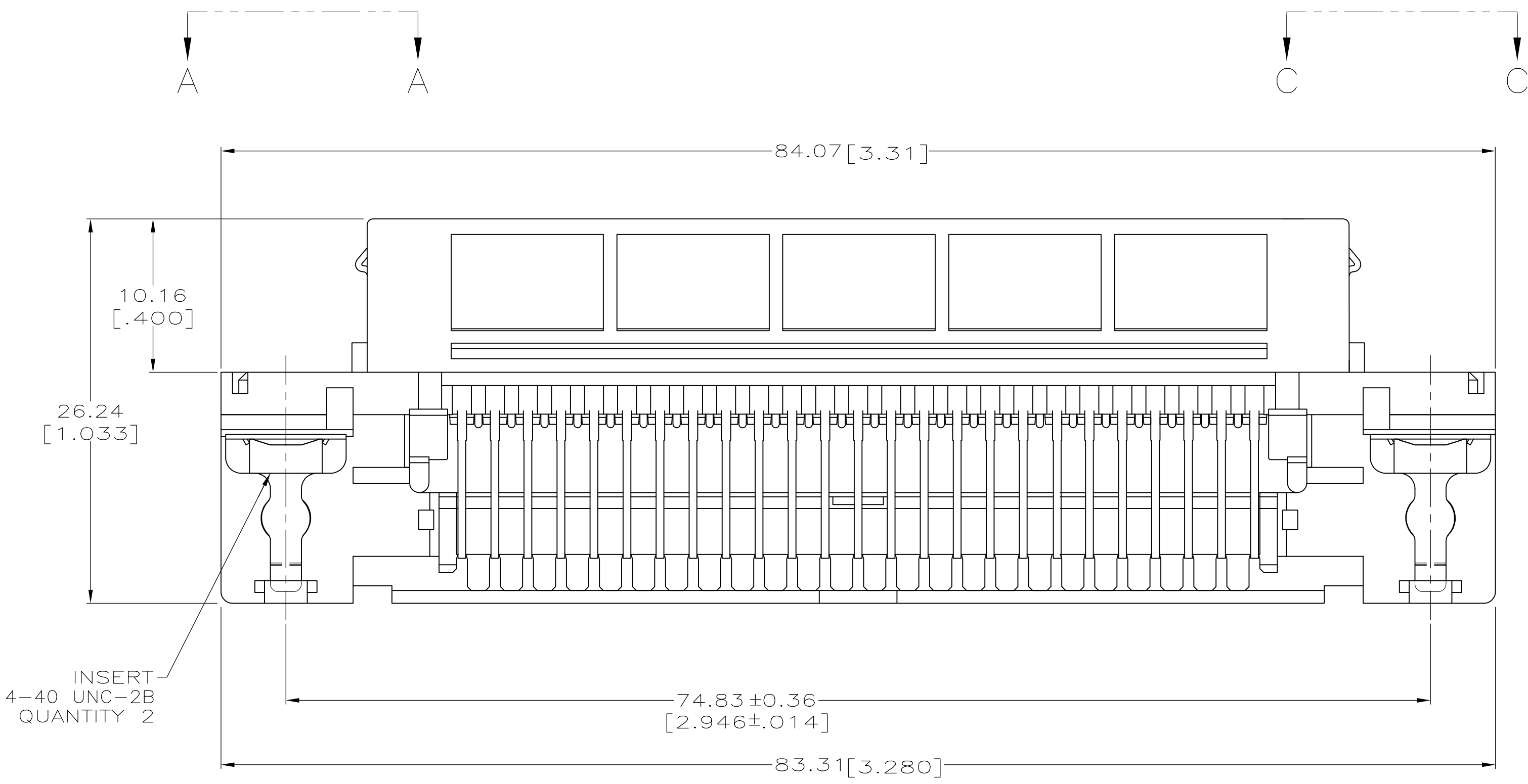
Address: A1208, Overseas Decoration Building, #122 Zhenhua RD., Futian, Shenzhen, China



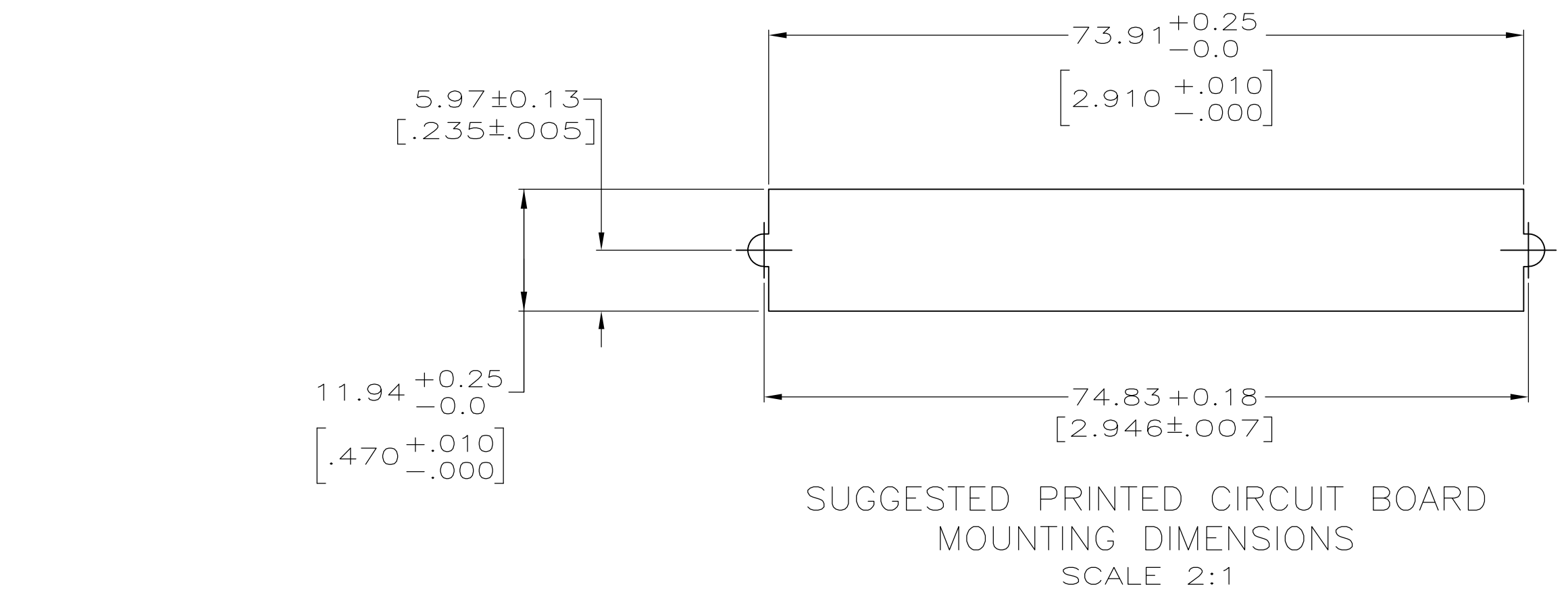
LOC		DIST		REVISIONS			
GP	00	REV	DATE	BY	CHK	APPV	
B		REVISED PER ECO-08-007327	09APR08	BM	WM		
B1		REVISED PER ECO-09-024927	11NOV09	KK	AEG		



SUGGESTED PRINTED CIRCUIT BOARD MOUNTING DIMENSIONS
SCALE 2:1



VIEW B-B
SCALE 8:1



SUGGESTED PRINTED CIRCUIT BOARD MOUNTING DIMENSIONS
SCALE 2:1

- 1 MATERIAL:
 HOUSING, SUPPORT PLATE & ADAPTER COMB - POLYESTER, BLACK.
 LATCH - ZINC PLATED CARBON STEEL.
 INSERT - BRASS.
 BOARD LOCK - TIN PLATED CARBON STEEL.
 TERMINALS - HIGH STRENGTH COPPER ALLOY PLATED WITH EITHER 0.76µm [.000030] MIN GOLD PLATE OR GOLD FLASH OVER PALLADIUM NICKEL PLATE, 0.76µm [.000030] MIN TOTAL ON MATING SURFACE. 3.05µm [.000120] MIN TIN PLATE ON TAILS. ALL OVER 1.27µm [.000050] MIN NICKEL UNDERPLATE OVER ENTIRE TERMINAL.
2. THE CONTACT SURFACES OF THE TERMINALS ARE COATED WITH LUBRICANT.
3. CENTER-TO-CENTER SPACING OF TERMINALS IS 2.16 [.085] NOMINAL.
4. ALL DIMENSIONS SHOWN ARE MAXIMUM UNLESS OTHERWISE SPECIFIED.
5. TERMINAL 1 LOCATED IN THIS ROW FOR STANDARD ORIENTATION. SEE VIEW A-A.
6. BOARD LOCK RETAINS CONNECTOR IN 1.58 [.062] THICK PC BOARD WITHOUT ADDITIONAL HARDWARE.
7. BOARD LOCK LOCATES CONNECTOR FLUSH WITH TOP OF PC BOARD AND SPRING LOCKS BENEATH.
8. CYLINDRICAL SHAPE OFFERS 180° OF SOLDERING SURFACE.
9. SURFACE AREA BELOW PC BOARD SHALL PASS SOLDERABILITY REQUIREMENTS IN ACCORDANCE WITH AMP SPEC 109-11-2. DISCOLORATION, SCRATCHES, SPOTS AND OTHER COSMETIC DEFICIENCIES TYPICAL OF BARREL PLATING PROCESSES ARE ACCEPTABLE PROVIDING PARTS PASS 24 HOUR EXPOSURE AT 95% RH AT 40° C WITHOUT EVIDENCE OF CORROSION.
10. OPTIONAL BRACKET SUPPLIED BY CUSTOMER.
11. TERMINAL 1 LOCATED IN THIS ROW FOR REVERSE ORIENTATION. SEE VIEW C-C.
12. ONE LATCH ONLY, LOCATED AT CIRCUIT 1/26 END, P/N 6116761-5 AND 6116761-6.
13. OBSOLETE PARTS: OBSOLETE CIS STREAMLINING PER D.RENAUD/D.SINISI

ORIENTATION	DESCRIPTION	PART NUMBER
REVERSE, SEE VIEW C-C ¹¹	¹²	6116761-6
STANDARD, SEE VIEW A-A ⁵	¹²	6116761-5
REVERSE, SEE VIEW C-C ¹¹	NO LATCHES	6116761-4
REVERSE, SEE VIEW C-C ¹¹	AS SHOWN	6116761-3
STANDARD, SEE VIEW A-A ⁵	NO LATCHES	6116761-2
STANDARD, SEE VIEW A-A ⁵	AS SHOWN	6116761-1

THIS DRAWING IS A CONTROLLED DOCUMENT.

DIMENSIONS: mm (INCHES)	TOLERANCES UNLESS OTHERWISE SPECIFIED:	0 PLC ± -	1 PLC ± -	2 PLC ± -	3 PLC ± -	4 PLC ± -	ANGLES ± -
-------------------------	--	-----------	-----------	-----------	-----------	-----------	------------

MATERIAL ¹ FINISH ¹

APPROVED: W. MILLHIMES
 DATE: 01SEP05
 NAME: RECEPTACLE ASSEMBLY, LOW PROFILE, RIGHT ANGLE, 50 POSITION, BOARD LOCK, INTEGRAL LOCKING LATCH, CHAMP

SIZE: A1
 CAGE CODE: 00779
 DRAWING NO: 6116761
 WEIGHT: -

CUSTOMER DRAWING SCALE: 4:1 SHEET: 1 OF 1 REV: B1