



Chipsmall Limited consists of a professional team with an average of over 10 year of expertise in the distribution of electronic components. Based in Hongkong, we have already established firm and mutual-benefit business relationships with customers from,Europe,America and south Asia,supplying obsolete and hard-to-find components to meet their specific needs.

With the principle of "Quality Parts,Customers Priority,Honest Operation,and Considerate Service",our business mainly focus on the distribution of electronic components. Line cards we deal with include Microchip,ALPS,ROHM,Xilinx,Pulse,ON,Everlight and Freescale. Main products comprise IC,Modules,Potentiometer,IC Socket,Relay,Connector.Our parts cover such applications as commercial,industrial, and automotives areas.

We are looking forward to setting up business relationship with you and hope to provide you with the best service and solution. Let us make a better world for our industry!



Contact us

Tel: +86-755-8981 8866 Fax: +86-755-8427 6832

Email & Skype: info@chipsmall.com Web: www.chipsmall.com

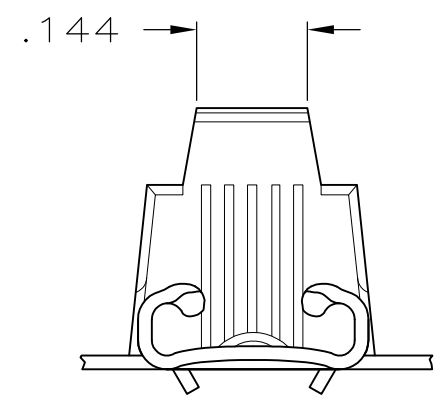
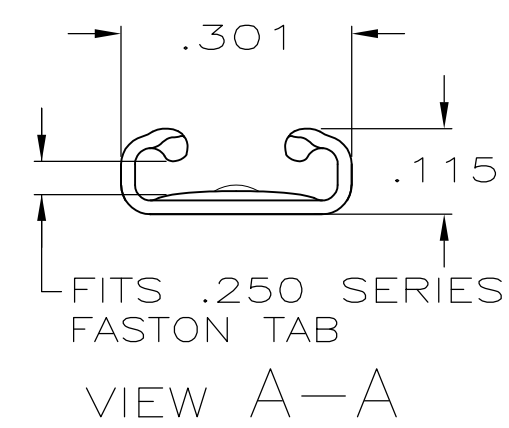
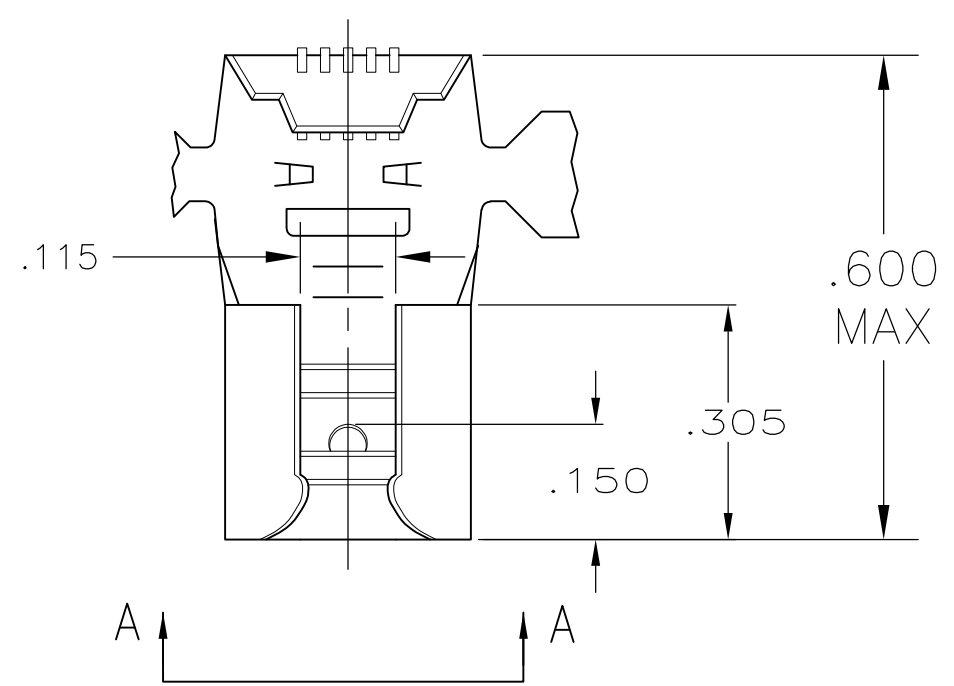
Address: A1208, Overseas Decoration Building, #122 Zhenhua RD., Futian, Shenzhen, China



THIS DRAWING IS UNPUBLISHED. RELEASED FOR PUBLICATION
 © COPYRIGHT - By - ALL RIGHTS RESERVED.

LOC	DIST	REVISIONS					
AF	50	P	LTR	DESCRIPTION	DATE	DWN	APVD
			M	REVISED PER ECR-12-013459	29NOV2012	KH	PD

1 CONTINUOUS STRIP ON REELS.



OBSOLETE	LEFT HAND	18-12	.032 ±.001	—	.016 BRASS	61177-6
	RIGHT HAND	18-12	.032 ±.001	SILVER	.016 BRASS	61177-4
	LEFT HAND	18-12	.032 ±.001	PRE-TIN	BRASS	61177-3
	RIGHT HAND	18-12	.032 ±.001	PRE-TIN	BRASS	61177-2
OBSOLETE	RIGHT HAND	18-12	.032 ±.001	—	.016 BRASS	61177-1
	REELING	WIRE SIZE	TAB THK	FINISH	MATERIAL	PART NO.

THIS DRAWING IS A CONTROLLED DOCUMENT.		DWN JR RUTH 2/3/86	TE Connectivity			
DIMENSIONS: INCHES		CHK M FEHER 2/6/86				
		APVD C MEYERS 2/7/86	.250 SERIES FLAG FASTON RECEPTACLE			
TOLERANCES UNLESS OTHERWISE SPECIFIED:		PRODUCT SPEC	RESTRICTED TO			
0 PLC ± - 1 PLC ± - 2 PLC ± - 3 PLC ± .015 4 PLC ± - ANGLES ± -		APPLICATION SPEC	SIZE	CAGE CODE	DRAWING NO	
MATERIAL SEE TABLE		FINISH SEE TABLE	WEIGHT	A3	00779	C-61177
CUSTOMER DRAWING			SCALE	NTS	SHEET	1 OF 1
					REV	M