



Chipsmall Limited consists of a professional team with an average of over 10 year of expertise in the distribution of electronic components. Based in Hongkong, we have already established firm and mutual-benefit business relationships with customers from,Europe,America and south Asia,supplying obsolete and hard-to-find components to meet their specific needs.

With the principle of “Quality Parts,Customers Priority,Honest Operation,and Considerate Service”,our business mainly focus on the distribution of electronic components. Line cards we deal with include Microchip,ALPS,ROHM,Xilinx,Pulse,ON,Everlight and Freescale. Main products comprise IC,Modules,Potentiometer,IC Socket,Relay,Connector.Our parts cover such applications as commercial,industrial, and automotives areas.

We are looking forward to setting up business relationship with you and hope to provide you with the best service and solution. Let us make a better world for our industry!



## Contact us

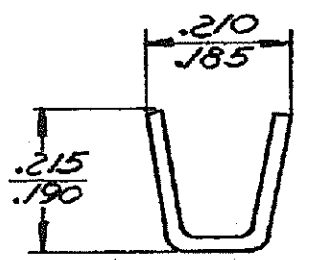
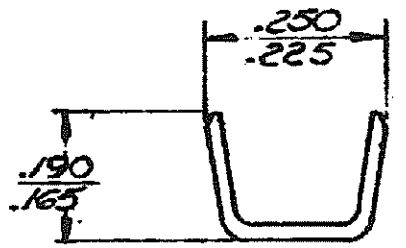
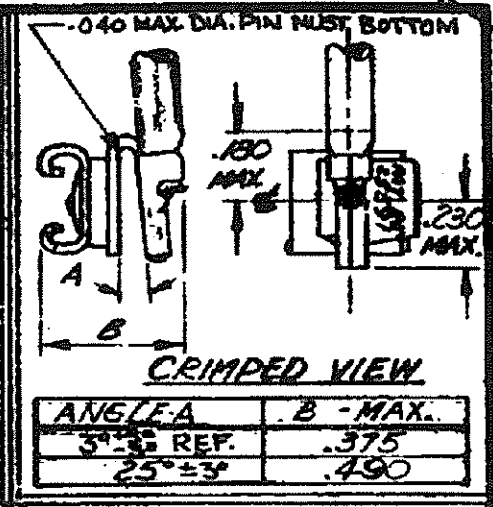
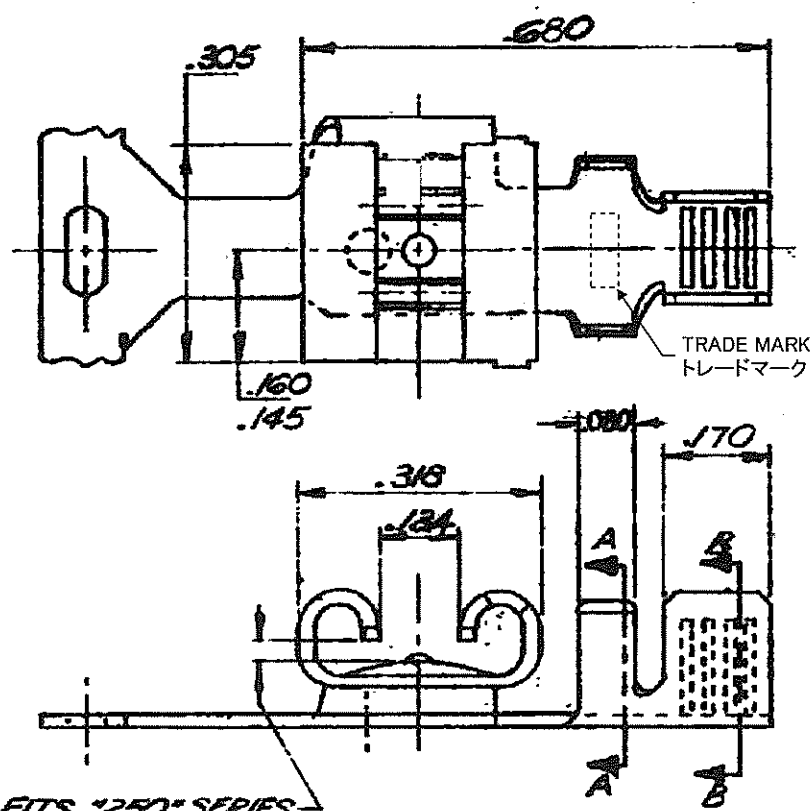
Tel: +86-755-8981 8866 Fax: +86-755-8427 6832

Email & Skype: info@chipsmall.com Web: www.chipsmall.com

Address: A1208, Overseas Decoration Building, #122 Zhenhua RD., Futian, Shenzhen, China



NUMBER 61187



FITS #250\* SERIES FASTON TAB (REFER TO CP. M. 251) TAB MAY ENTER FROM EITHER END.

CONTINUOUS STRIP ON REELS

WIRE SIZE AWG.	INSULATION RANGE	TAB THK. .001	MATERIAL AND FINISH	TERMINAL NUMBER
12-10	130-170	.032	ONE ENDS BRONZE-TIN	61187-1
12-10	130-170	.032	TWO ENDS BRONZE-SILVER	61187-2

OBSOLETE

DIMENSIONS IN INCHES. DO NOT SCALE PRINT.

F1	P/N OBSOLETE ECR-08-031060	Y.Y	N.Y	8DEC 2008
F	REVISED ECR-07-011381	J.S	S.M	25MAY '07

E	REVISED A-096W	JR	W	1/10/67
D	REVISED AK23	cm	ES	2/10/67
C	REVISED - A-13AS	cm	ebw	7/10/68
B	REVISED A-12A2	cm		7/26/68
A	REVISED-RELEASED	CG	mb	8/26/67
	WAS - P-29624-152			

PROPERTY AND INDICATOR ALL RIGHTS RESERVED. AMP PRODUCTS COVERED BY PATENTS AND/OR PATENTS PENDING.

**REFERENCE ONLY**

**Tyco Electronics** Tyco Electronics Corporation  
Kawasaki, Japan

CLASS \_\_\_\_\_

TYPE \_\_\_\_\_

LTR	REVISION RECORD	DR	CHK	DATE
	CLAUDE E. FINK			4-21-67
	4-13-67		E. GOMBAR	
	4-21-67		JAN PERRY	4-21-67

TOLERANCE EXCEPT AS NOTED ±.015 ±.1%

SCALE 1:1

LEG J A4

61187

F1

NAME #250\* SERIES REVERSIBLE FLAG FASTON RECEPTACLE