



Chipsmall Limited consists of a professional team with an average of over 10 year of expertise in the distribution of electronic components. Based in Hongkong, we have already established firm and mutual-benefit business relationships with customers from,Europe,America and south Asia,supplying obsolete and hard-to-find components to meet their specific needs.

With the principle of “Quality Parts,Customers Priority,Honest Operation,and Considerate Service”,our business mainly focus on the distribution of electronic components. Line cards we deal with include Microchip,ALPS,ROHM,Xilinx,Pulse,ON,Everlight and Freescale. Main products comprise IC,Modules,Potentiometer,IC Socket,Relay,Connector.Our parts cover such applications as commercial,industrial, and automotives areas.

We are looking forward to setting up business relationship with you and hope to provide you with the best service and solution. Let us make a better world for our industry!



Contact us

Tel: +86-755-8981 8866 Fax: +86-755-8427 6832

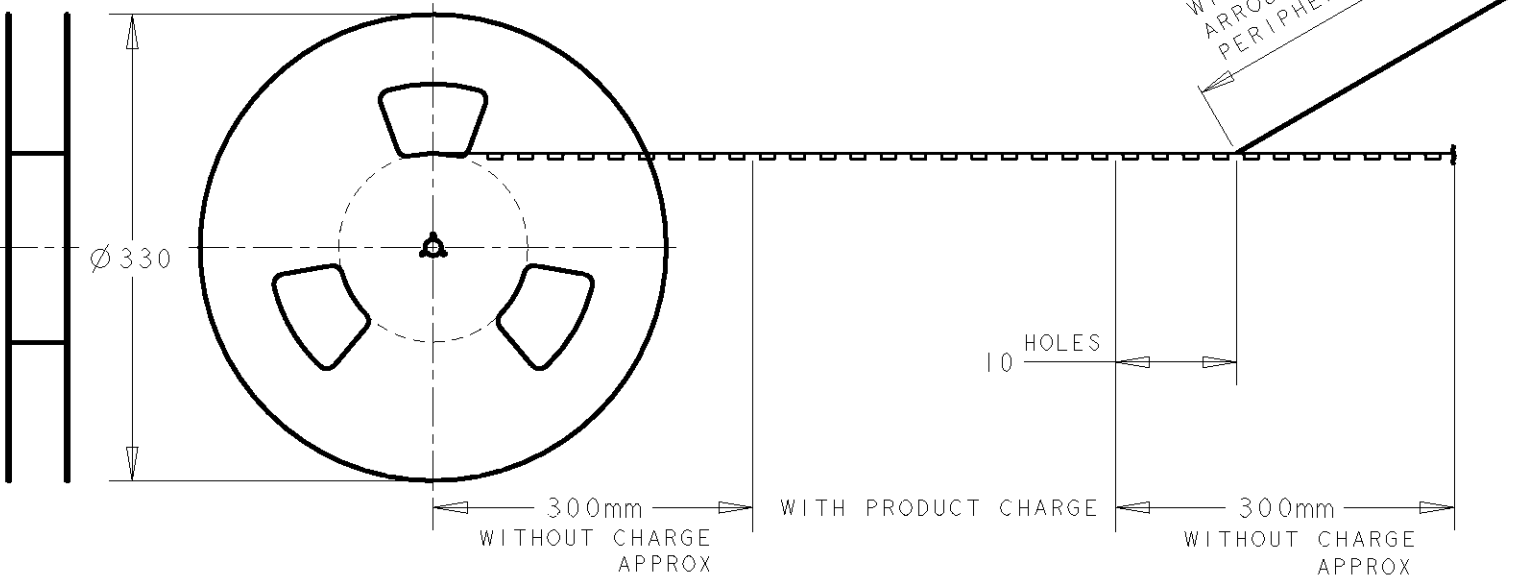
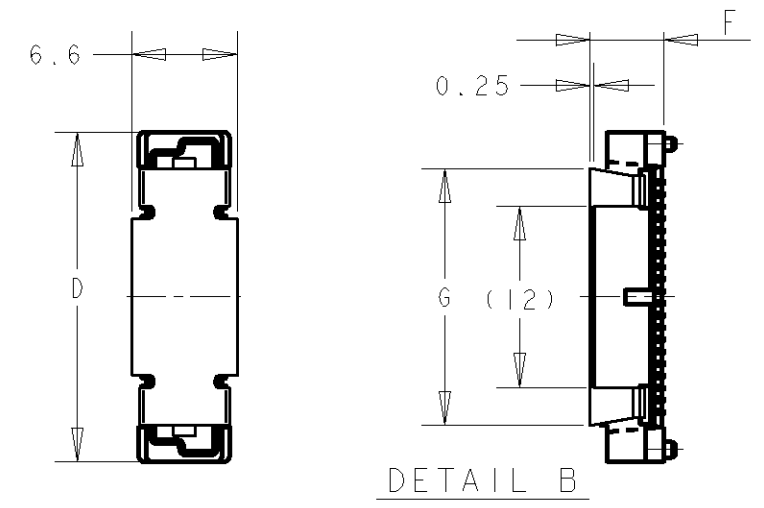
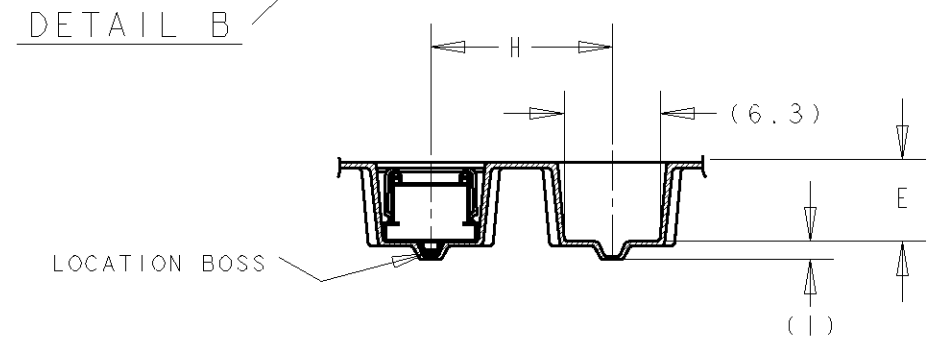
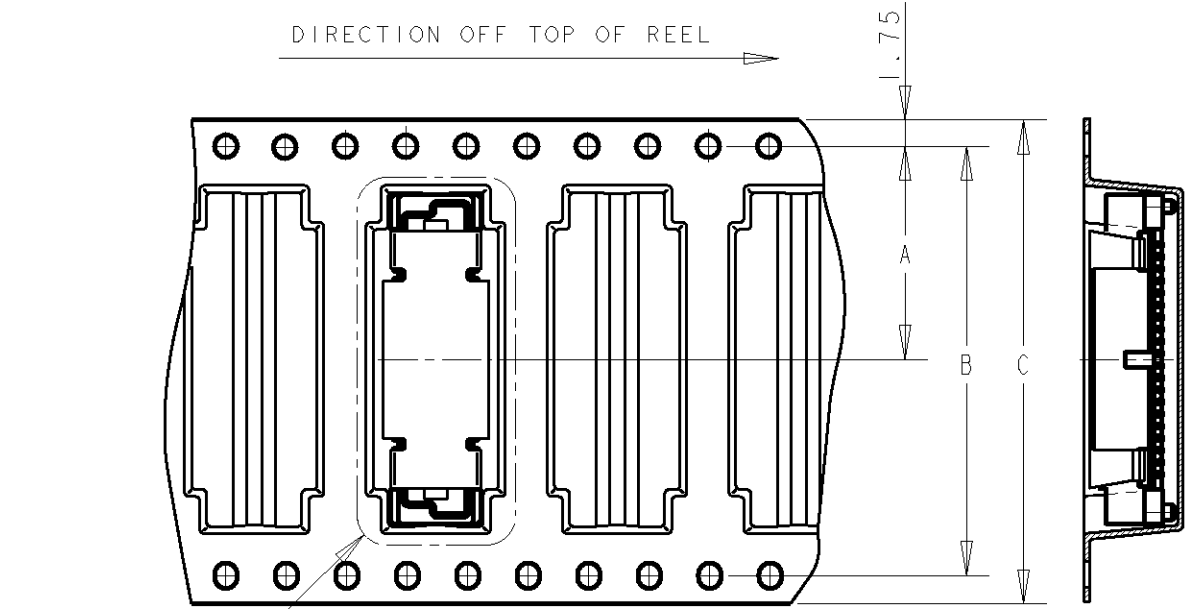
Email & Skype: info@chipsmall.com Web: www.chipsmall.com

Address: A1208, Overseas Decoration Building, #122 Zhenhua RD., Futian, Shenzhen, China



THIS DRAWING IS UNPUBLISHED. RELEASED FOR PUBLICATION .19
 © COPYRIGHT 19 BY AMP INCORPORATED. ALL RIGHTS RESERVED.

LOC	DIST	REVISIONS			
P	LTR	DESCRIPTION	DATE	DWN	APVD
DY	-	A REVISED PER ECR-06-007464	23MAR06	SYJ	LSF



AVAILABLE							85.8				200	1-	-0	1-	-0
							77.8	104	100.4	50.2	180		-9		-9
							69.8				160		-8		-8
							61.8	88	84.4	42.2	140		-6		-6
							53.8				120		-5		-5
	400		16				45.8	72	68.4	34.2	100		-4		-4
							37.8	56	52.4	26.2	80		-3		-3
						29.8	44	40.4	20.2	60		-2		-2	
TOOLING STATUS	600	8H	12	17	7.85	8.6	21.8	32	28.4	14.2	40	6123002-1		6123001-1	
	POS	HEIGHT TYPE	H	G	F	E	D	C	B	A	POS	CONN P/N		PART NO.	

THIS DRAWING IS A CONTROLLED DOCUMENT FOR AMP INCORPORATED. IT IS SUBJECT TO CHANGE AND THE CONTROLLING ENGINEERING ORGANIZATION SHOULD BE CONTACTED FOR THE LATEST REVISION.		DWN WYLEE 27OCT04 CHK VINCENT TAN APVD ERIC TNG PRODUCT SPEC 108-5390 APPLICATION SPEC - WEIGHT -	tyco Tyco Electronics Electronics Singapore Pte. Ltd.
DIMENSIONS: mm 	TOLERANCES UNLESS OTHERWISE SPECIFIED: 0 PLC ± 1 PLC ±0.2 2 PLC ±0.25 3 PLC ±0.30 4 PLC ± ANGLES ±3°	NAME EMBOSS ASSY FOR FH 0.8BTB CONNECTOR PLUG 8H 0.5 BOSS LENGTH (0.76um GOLD)	SIZE A3 CAGE CODE 00779 DRAWING NO C-6123001
MATERIAL -	FINISH -	CUSTOMER DRAWING	SCALE 2:1 SHEET 1 OF 1 REV A