



Chipsmall Limited consists of a professional team with an average of over 10 year of expertise in the distribution of electronic components. Based in Hongkong, we have already established firm and mutual-benefit business relationships with customers from,Europe,America and south Asia,supplying obsolete and hard-to-find components to meet their specific needs.

With the principle of “Quality Parts,Customers Priority,Honest Operation,and Considerate Service”,our business mainly focus on the distribution of electronic components. Line cards we deal with include Microchip,ALPS,ROHM,Xilinx,Pulse,ON,Everlight and Freescale. Main products comprise IC,Modules,Potentiometer,IC Socket,Relay,Connector.Our parts cover such applications as commercial,industrial, and automotives areas.

We are looking forward to setting up business relationship with you and hope to provide you with the best service and solution. Let us make a better world for our industry!



Contact us

Tel: +86-755-8981 8866 Fax: +86-755-8427 6832

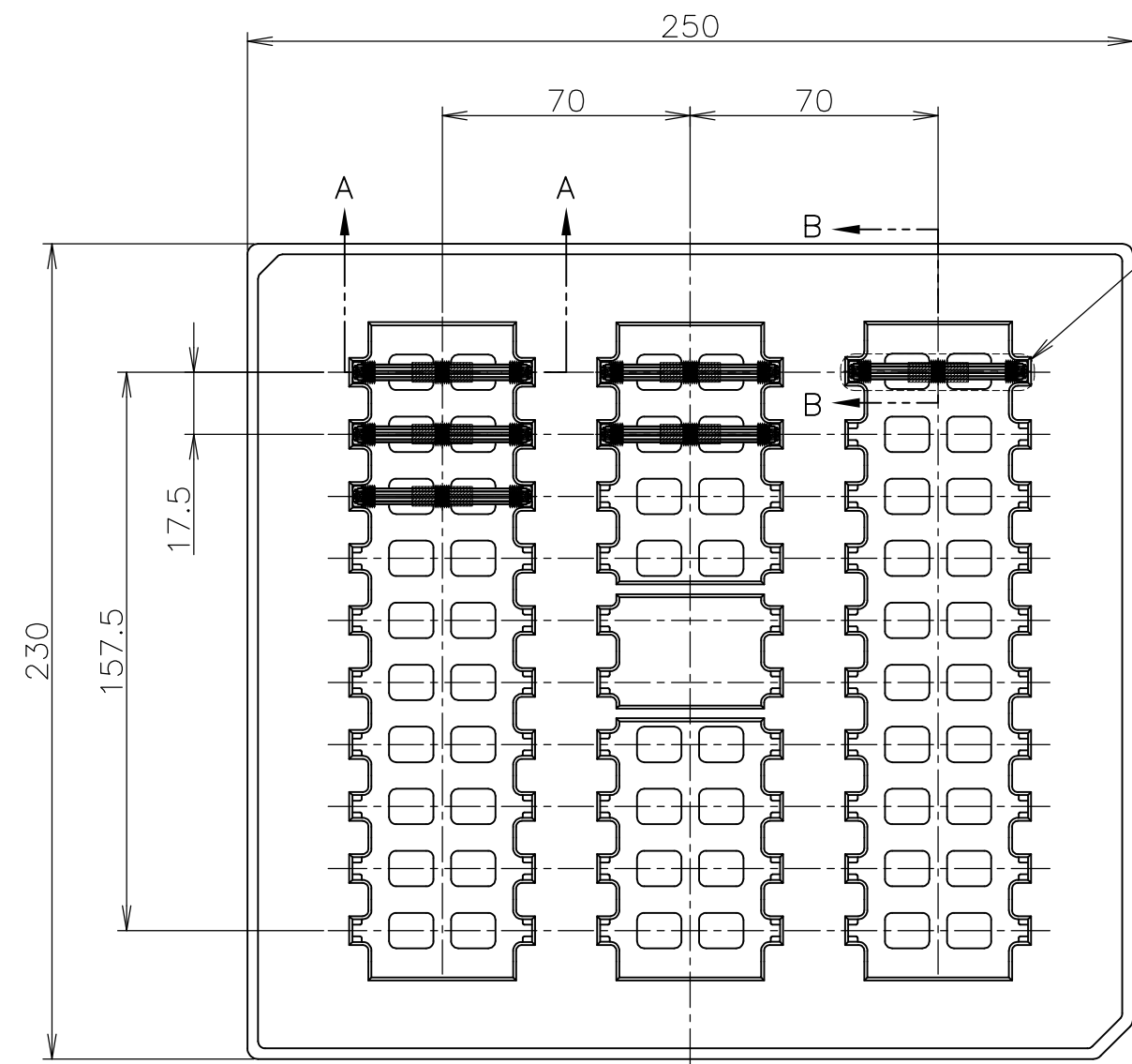
Email & Skype: info@chipsmall.com Web: www.chipsmall.com

Address: A1208, Overseas Decoration Building, #122 Zhenhua RD., Futian, Shenzhen, China

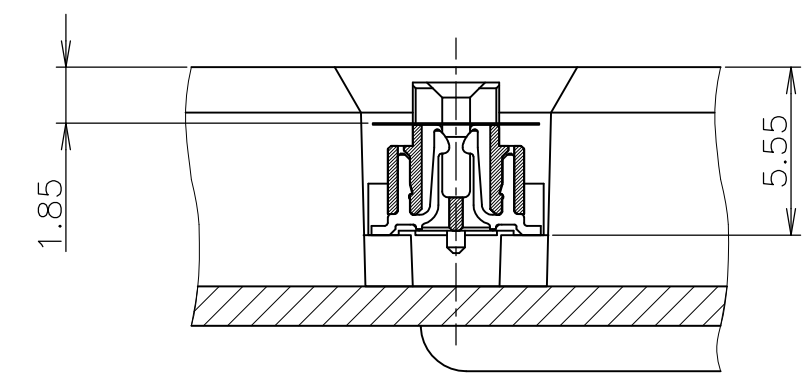


THIS DRAWING IS UNPUBLISHED. RELEASED FOR PUBLICATION JUL ,2004.
 © COPYRIGHT 2004 By - ALL RIGHTS RESERVED.

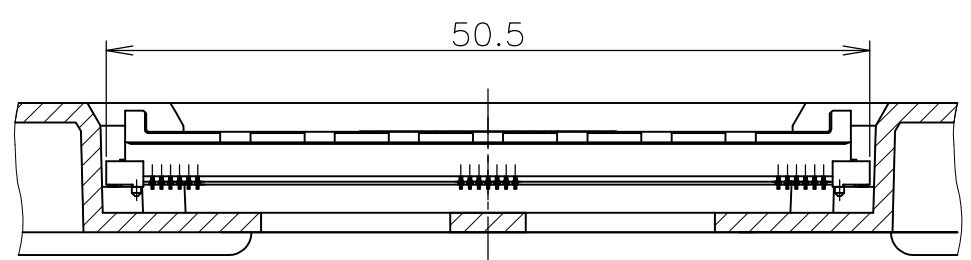
LOC	DIST	REVISIONS 変更			
P	LTR	DESCRIPTION	DATE	DWN	APVD
J		A1	REVISED PER ECO-11-005030	11MAR11	RK HMR



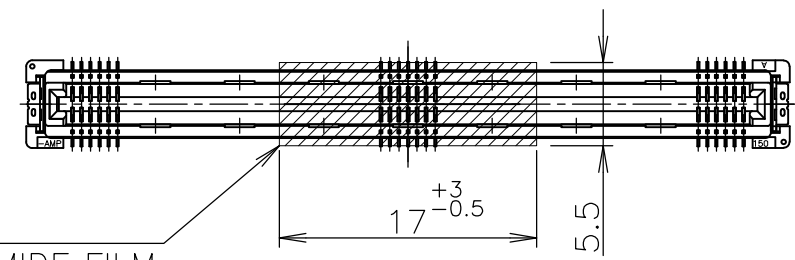
SEE DETAIL C



B-B
(SCALE 4:1)

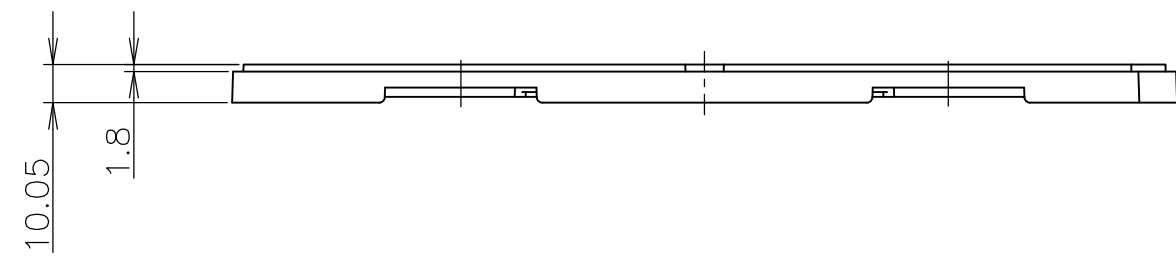


A-A
(SCALE 2:1)



DETAIL C
(SCALE 2:1)

接着剤付ポリイミドフィルム
1枚 (厚さ=0.05)
ONE SHEET OF POLYIMIDE FILM
WITH ADHESIVE (t = 0.05)



30	150	3-912071-1	6123088-1	6123215-1
QTY	POS.	TRAY P/N	CONN P/N	PART No.

THIS DRAWING IS A CONTROLLED DOCUMENT.

DIMENSIONS: 単位: 耗 MM	TOLERANCES UNLESS OTHERWISE SPECIFIED: 一般公差
0 PLC ±	1 PLC ±
2 PLC ±	3 PLC ±
4 PLC ±	ANGLES ±
MATERIAL 材料	FINISH 仕上

GENERAL TOLERANCE
一般公差

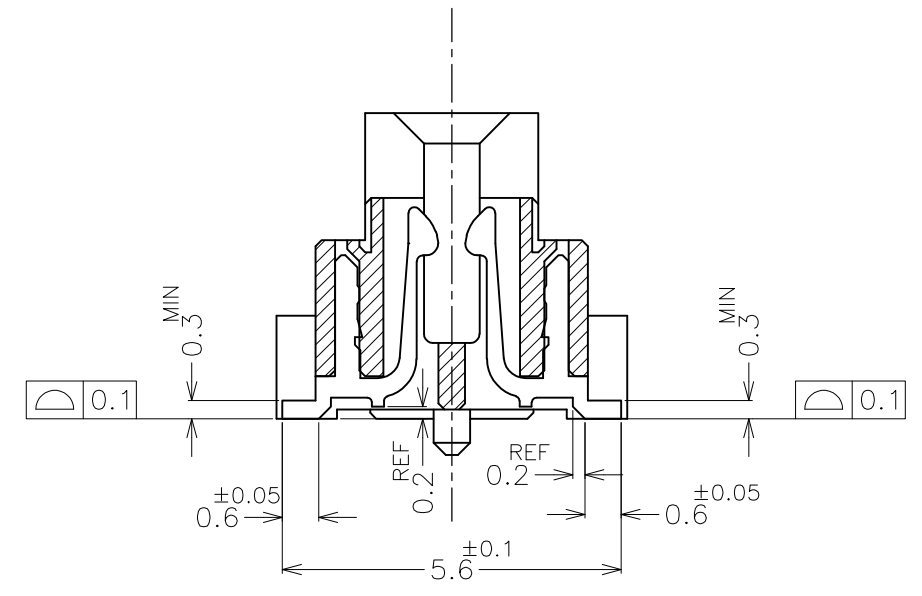
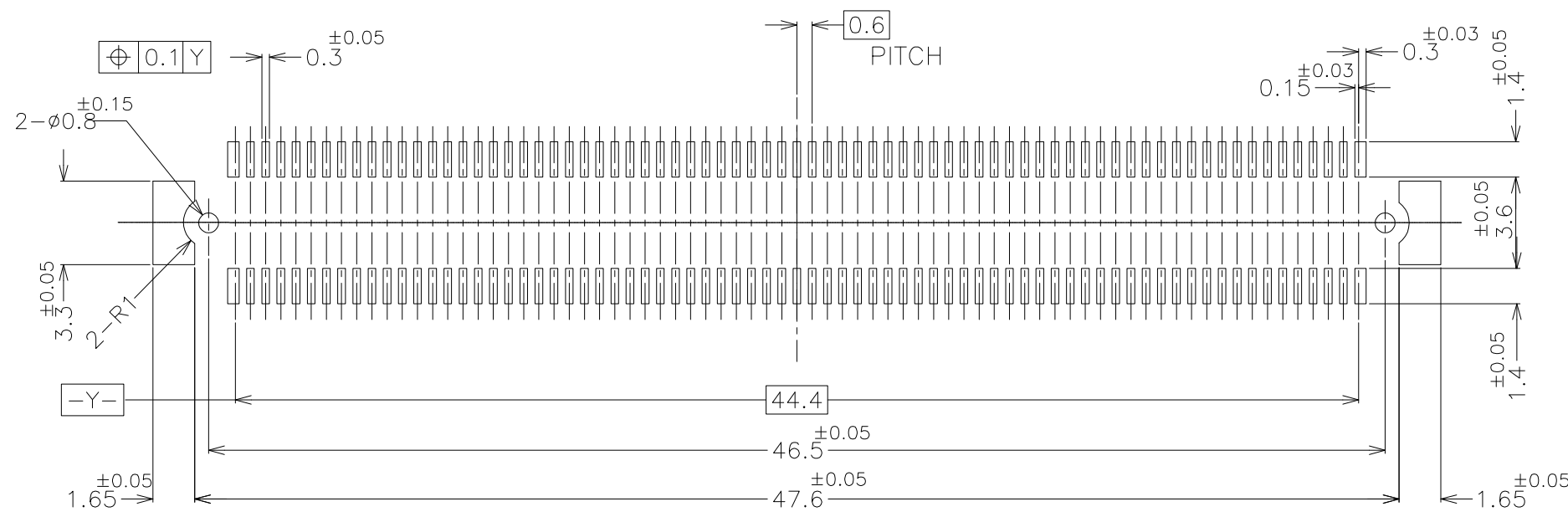
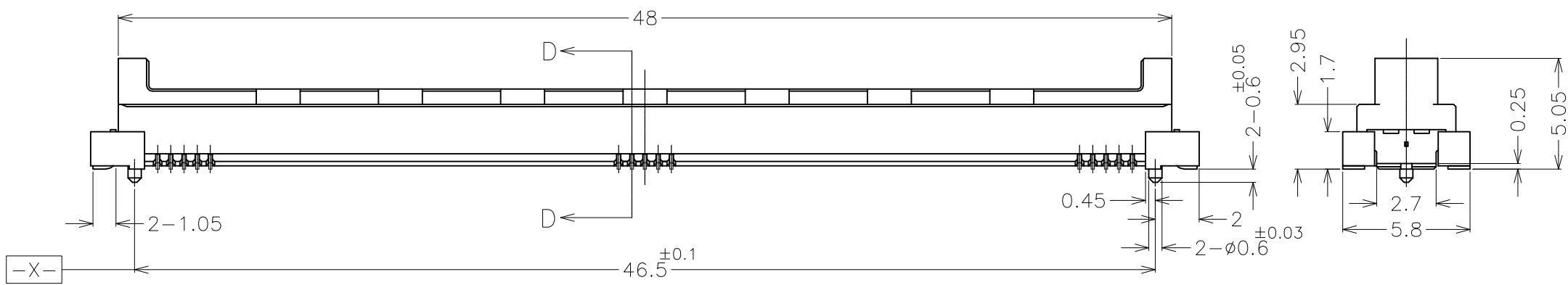
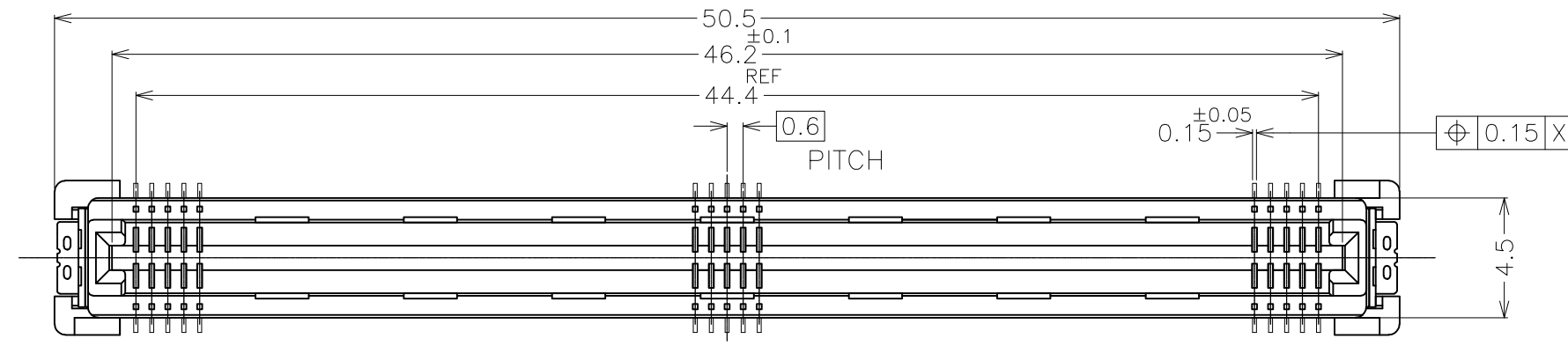
10 ≥ : ±0.2
30 ≥ > 10: ±0.25
100 ≥ > 30: ±0.3
ANGLES: ±3°

DWN T.TSUZAKI 7JUL04	TE Connectivity
CHK K.YAMAGUCHI 7JUL04	
APVD H.MURAMATSU 7JUL04	
PRODUCT SPEC 製品規格 108-78191	
APPLICATION SPEC 取付適用規格	NAME 名称
WEIGHT	SIZE A3
CUSTOMER DRAWING	CAGE CODE 00779
	DRAWING NO C-6123215
	RESTRICTED TO
	SCALE 尺度 1:2
	SHEET 1 OF 2
	REV A1

THIS DRAWING IS UNPUBLISHED. RELEASED FOR PUBLICATION JUL ,2005.
 © COPYRIGHT 2005 By - ALL RIGHTS RESERVED.

LOC	DIST	REVISIONS					
J		P	LTR	DESCRIPTION	DATE	DWN	APVD

6123088-1(150P):AS SHOWN(REFERENCE)



D-D (SCALE 8:1)

参考基板取り付け寸法
REFERENCE P.C.BOARD LAYOUT

GENERAL TOLERANCE
一般公差

10 ≥	±0.2
30 ≥ > 10	±0.25
100 ≥ > 30	±0.3
ANGLES: ±3°	

THIS DRAWING IS A CONTROLLED DOCUMENT.		DWN	STE TE Connectivity			
DIMENSIONS: 単位: 耗 MM		CHK				
TOLERANCES UNLESS OTHERWISE SPECIFIED: 一般公差		APVD	NAME 名称			
0 PLC ±		PRODUCT SPEC 製品規格	HARD TRAY ASSY			
1 PLC ±		108-78191	0.6mm PITCH			
2 PLC ±		APPLICATION SPEC 取付適用規格	SIZE	CAGE CODE	DRAWING NO 番号	RESTRICTED TO
3 PLC ±		WEIGHT	A3	00779	G-6123215	
4 PLC ±		CUSTOMER DRAWING	SCALE 尺度 4:1		SHEET 2 OF 2	REV A1
ANGLES ±						
FINISH 仕上						
MATERIAL 材料						