



Chipsmall Limited consists of a professional team with an average of over 10 year of expertise in the distribution of electronic components. Based in Hongkong, we have already established firm and mutual-benefit business relationships with customers from,Europe,America and south Asia,supplying obsolete and hard-to-find components to meet their specific needs.

With the principle of “Quality Parts,Customers Priority,Honest Operation,and Considerate Service”,our business mainly focus on the distribution of electronic components. Line cards we deal with include Microchip,ALPS,ROHM,Xilinx,Pulse,ON,Everlight and Freescale. Main products comprise IC,Modules,Potentiometer,IC Socket,Relay,Connector.Our parts cover such applications as commercial,industrial, and automotives areas.

We are looking forward to setting up business relationship with you and hope to provide you with the best service and solution. Let us make a better world for our industry!



Contact us

Tel: +86-755-8981 8866 Fax: +86-755-8427 6832

Email & Skype: info@chipsmall.com Web: www.chipsmall.com

Address: A1208, Overseas Decoration Building, #122 Zhenhua RD., Futian, Shenzhen, China



4

3

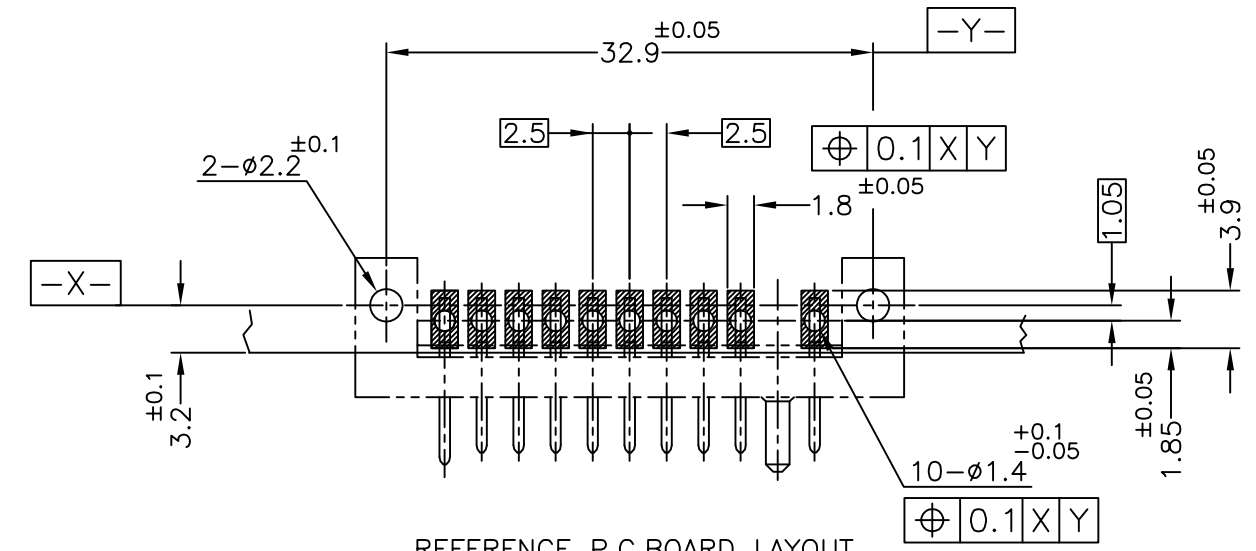
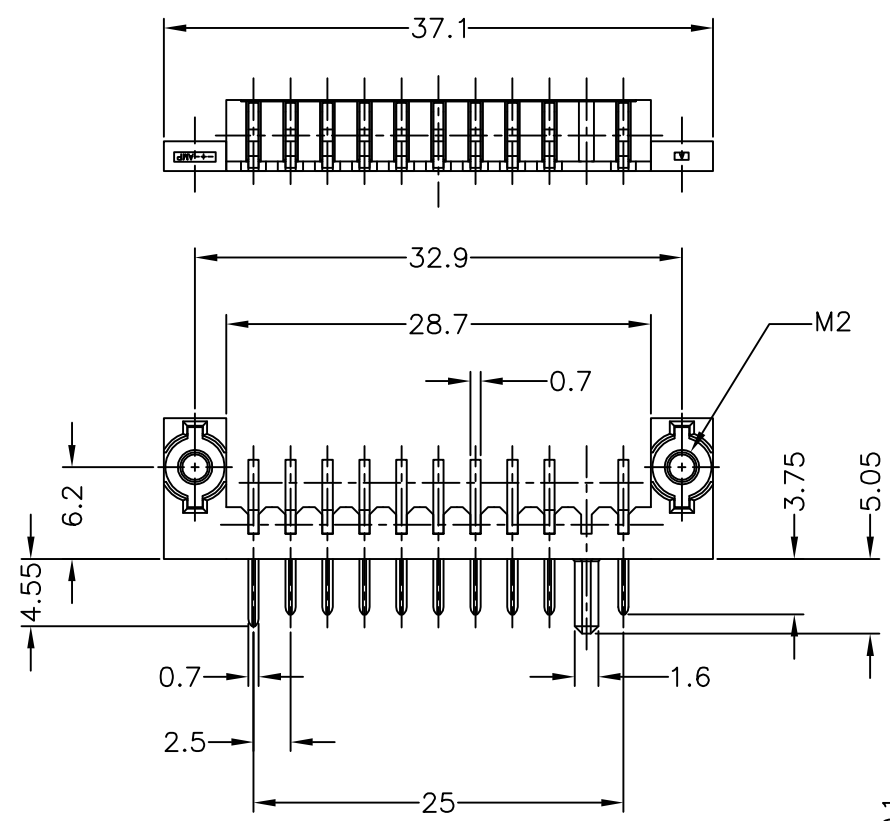
2

1

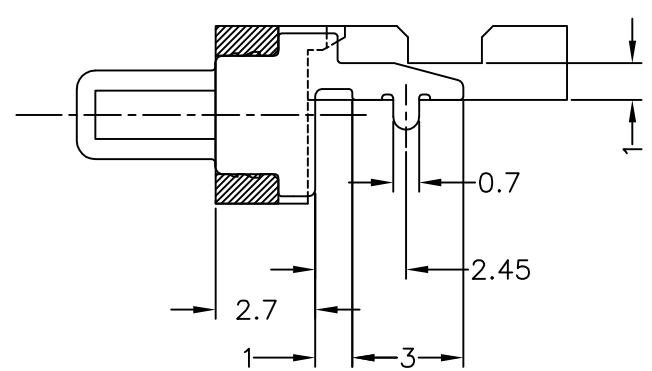
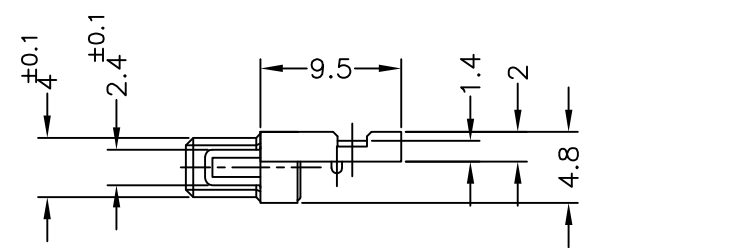
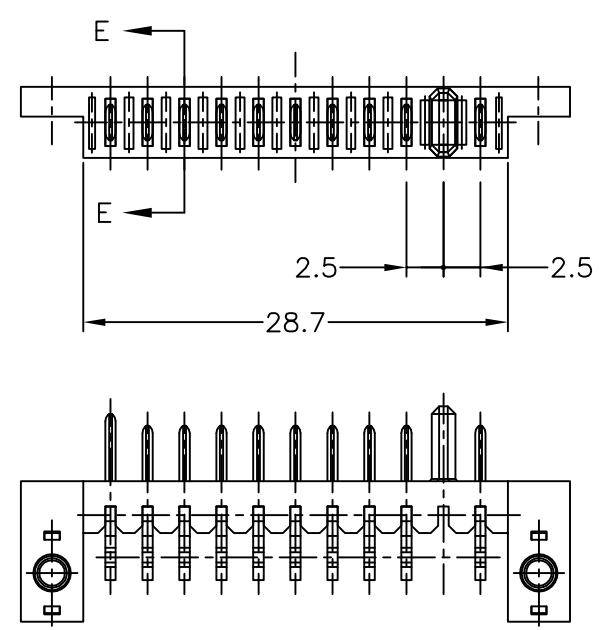
THIS DRAWING IS UNPUBLISHED. RELEASED FOR PUBLICATION JUL ,2004.
 © COPYRIGHT 2004 BY TYCO ELECTRONICS CORPORATION. ALL RIGHTS RESERVED.

LOC	DIST	REVISIONS			
P	LTR	DESCRIPTION	DATE	DWN	APVD
ES	/	A	REVISED PER ECR-10-011717	30MAY2010	S.W S.Y

-7 : AS SHOWN



REFERENCE P.C.BOARD LAYOUT
 P.C.BOARD THK 0.8~1.2
 (VIEW FROM CONNECTOR MOUNTING SIDE)



E-E SCALE 5:1

- ① MATERIAL
 - HOUSING: 6T NYLON, UL94V-O, BLACK
 - CONTACT: COPPER ALLOY
 - NUT : STAINLESS STEEL
- ② FINISH
 - CONTACT: Ni ALL OVER UNDER PL. 2μm MIN. GOLD PL. 0.3μm MIN. AT CONTACT AREA TIN PL. AT LEAD AREA 2μm MIN.

THIS DRAWING IS A CONTROLLED DOCUMENT.		DWN T.KATANO 14OCT04	Tyco Electronics Shanghai, P.R.China, 200233	
DIMENSIONS: MM		CHK T.KIMURA 14OCT04	NAME PLUG ASSEMBLY 2.5mm PITCH BATTERY CONNECTOR (10POS. OFF SET TYPE)	
TOLERANCES UNLESS OTHERWISE SPECIFIED: φ-PLC ±0.15 1-PLC ± 2-PLC ± 3-PLC ± 4-PLC ± ANGLES ±3' FINISH		APVD K.IKEGAMI 14OCT04	PRODUCT SPEC 108-5775	
MATERIAL		APPLICATION SPEC	SIZE A3	RESTRICTED TO
①		WEIGHT	CAGE CODE 00779	DRAWING NO 6123738
②		CUSTOMER DRAWING	SCALE 2:1	SHEET 1 OF 1
			REV A	