



Chipsmall Limited consists of a professional team with an average of over 10 year of expertise in the distribution of electronic components. Based in Hongkong, we have already established firm and mutual-benefit business relationships with customers from,Europe,America and south Asia,supplying obsolete and hard-to-find components to meet their specific needs.

With the principle of “Quality Parts,Customers Priority,Honest Operation,and Considerate Service”,our business mainly focus on the distribution of electronic components. Line cards we deal with include Microchip,ALPS,ROHM,Xilinx,Pulse,ON,Everlight and Freescale. Main products comprise IC,Modules,Potentiometer,IC Socket,Relay,Connector.Our parts cover such applications as commercial,industrial, and automotives areas.

We are looking forward to setting up business relationship with you and hope to provide you with the best service and solution. Let us make a better world for our industry!



Contact us

Tel: +86-755-8981 8866 Fax: +86-755-8427 6832

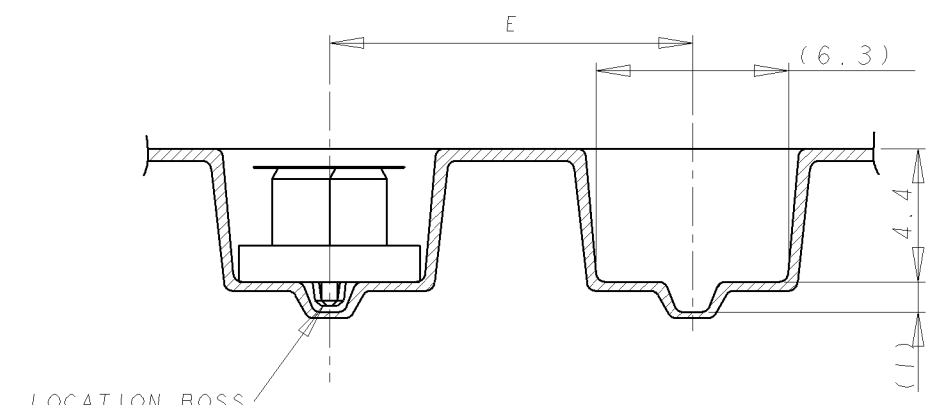
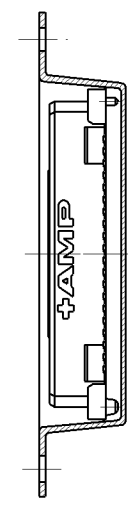
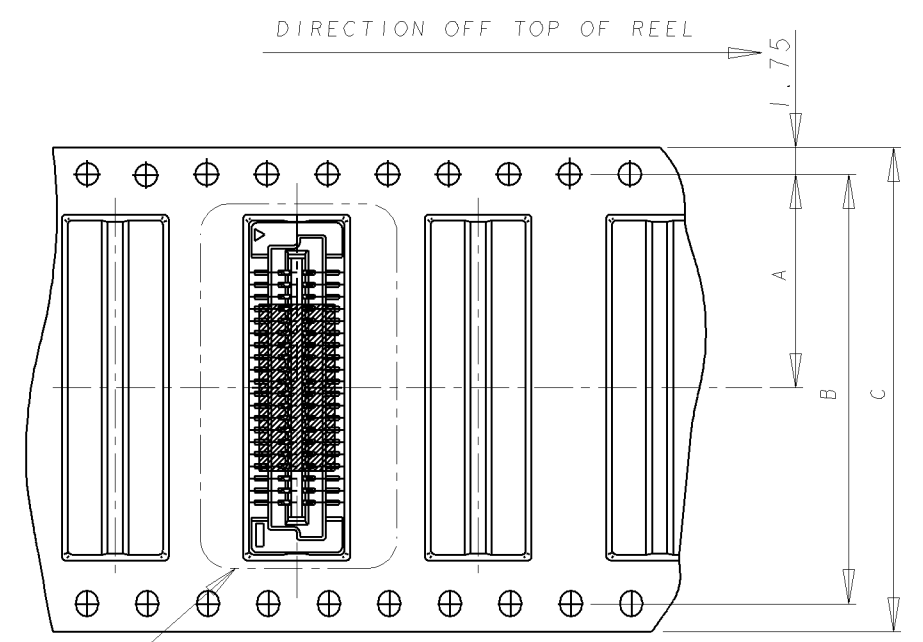
Email & Skype: info@chipsmall.com Web: www.chipsmall.com

Address: A1208, Overseas Decoration Building, #122 Zhenhua RD., Futian, Shenzhen, China



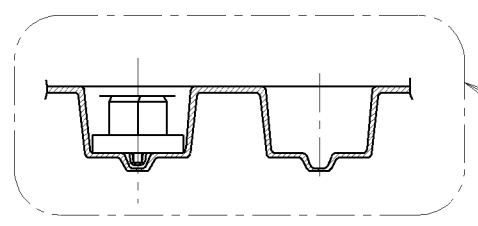
THIS DRAWING IS UNPUBLISHED. RELEASED FOR PUBLICATION .19
 BY AMP INCORPORATED. ALL RIGHTS RESERVED.

LOC	DIST	REVISIONS					
		P	LTR	DESCRIPTION	DATE	DWN	APVD
DY	-	A		REVISED PER ECR-08-025833	14OCT2008	SYJ	LSF

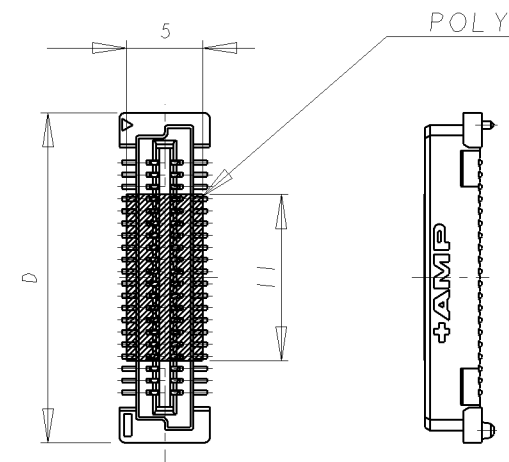


DETAIL A
(SCALE 4-1)

DETAIL B

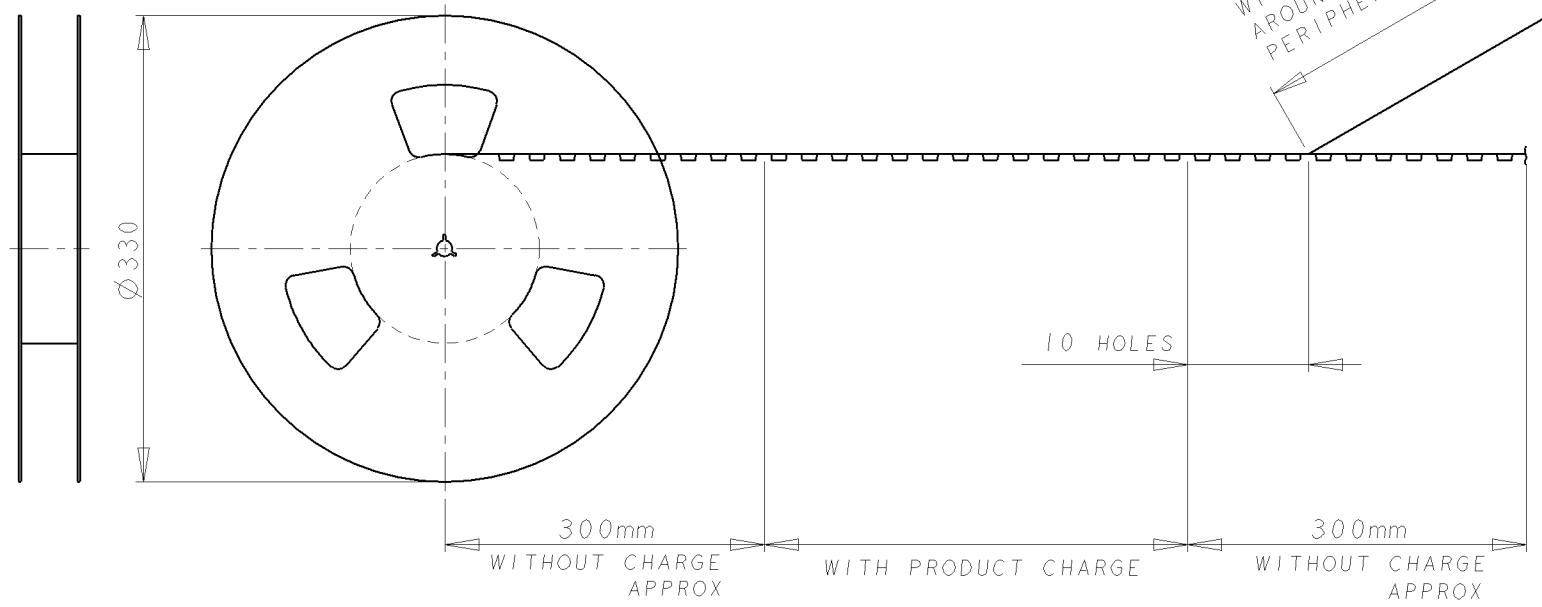


DETAIL A



DETAIL B

WINDING THE COVER TAPE
 AROUND THE OUTER
 PERIPHERY IN A TURN.



NOT AVAILABLE	QTY	E	D	C	B	A	POS	CONN P/N		PART NO.	
								5177983-1	6123763-1	-6	-6
	700	16	45.8	72	68.4	34.2	100				
	700	16	53.8	72	68.4	34.2	120				
	700	16	61.8	72	68.4	34.2	140				
AVAILABLE	1000	12	21.8	32	28.4	14.2	40	5177983-1	6123763-1		
TOOLING STATUS											

THIS DRAWING IS A CONTROLLED DOCUMENT FOR AMP INCORPORATED. IT IS SUBJECT TO CHANGE AND THE CONTROLLING ENGINEERING ORGANIZATION SHOULD BE CONTACTED FOR THE LATEST REVISION.

DWN WYLEE 2NOV04
 CHK VINCENT TAN
 APVD ERIC ING
 PRODUCT SPEC 108-5390
 APPLICATION SPEC 114-5254
 WEIGHT -

Tyco Electronics Singapore Pte. Ltd.

NAME RECEPTACLE ASSEMBLY 5H TYPE WITH POLYIMIDE FILM (0.5 BOSS LENGTH) FOR FH 0.8 B-T-B CONN, ON TAPING

SIZE A3 CAGE CODE 00779 DRAWING NO C-6123763

CUSTOMER DRAWING SCALE 4:1 SHEET 1 OF 1 REV A