



Chipsmall Limited consists of a professional team with an average of over 10 year of expertise in the distribution of electronic components. Based in Hongkong, we have already established firm and mutual-benefit business relationships with customers from,Europe,America and south Asia,supplying obsolete and hard-to-find components to meet their specific needs.

With the principle of "Quality Parts,Customers Priority,Honest Operation,and Considerate Service",our business mainly focus on the distribution of electronic components. Line cards we deal with include Microchip,ALPS,ROHM,Xilinx,Pulse,ON,Everlight and Freescale. Main products comprise IC,Modules,Potentiometer,IC Socket,Relay,Connector.Our parts cover such applications as commercial,industrial, and automotives areas.

We are looking forward to setting up business relationship with you and hope to provide you with the best service and solution. Let us make a better world for our industry!



Contact us

Tel: +86-755-8981 8866 Fax: +86-755-8427 6832

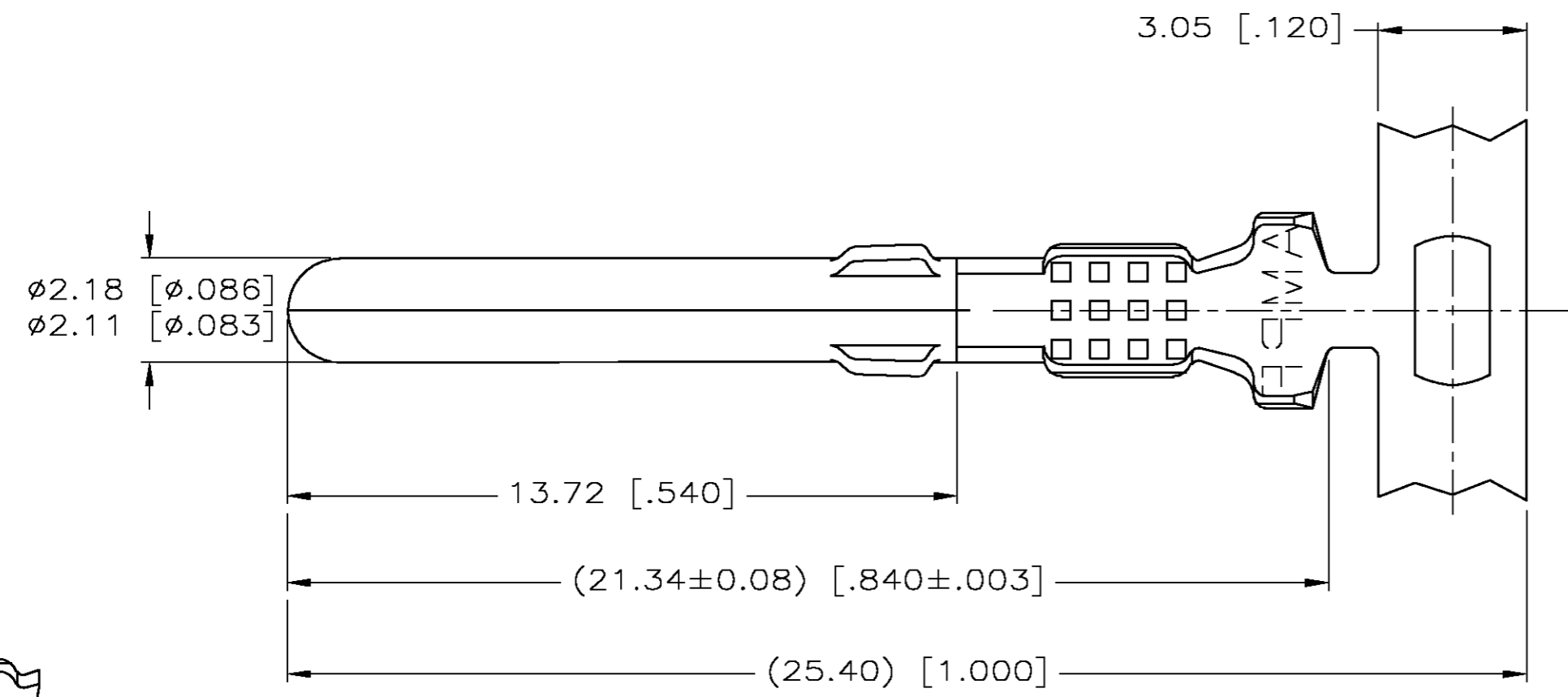
Email & Skype: info@chipsmall.com Web: www.chipsmall.com

Address: A1208, Overseas Decoration Building, #122 Zhenhua RD., Futian, Shenzhen, China

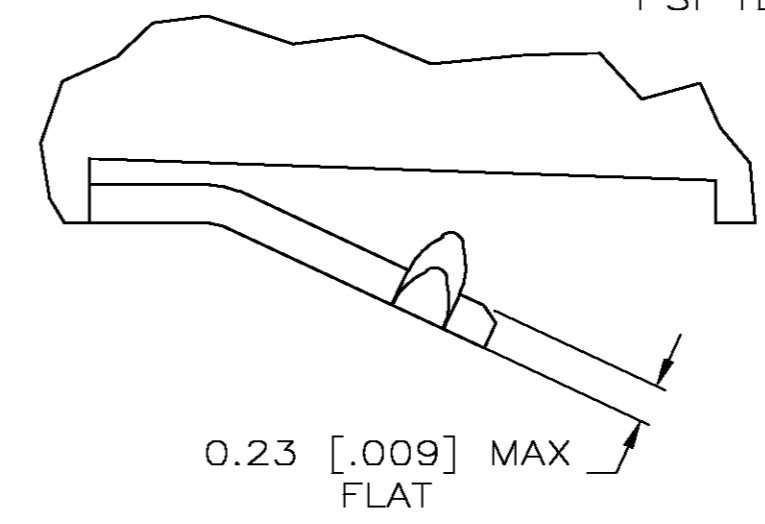


THIS DRAWING IS UNPUBLISHED. RELEASED FOR PUBLICATION
 © COPYRIGHT BY TYCO ELECTRONICS CORPORATION. ALL RIGHTS RESERVED.

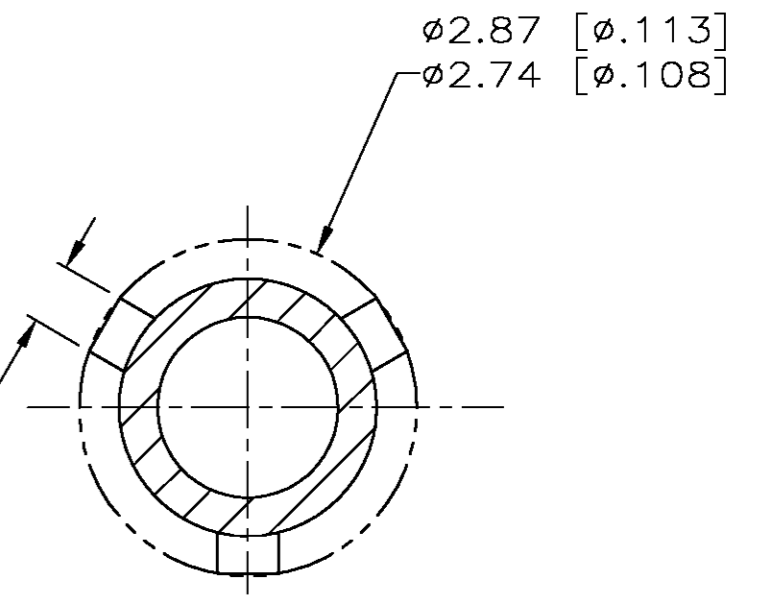
LOC	DIST	REVISIONS			
P	LTR	DESCRIPTION	DATE	DWN	APVD
CM	00				
	G	REVISED PER 0G3B-1013-03	08-JAN-03	SH	DC



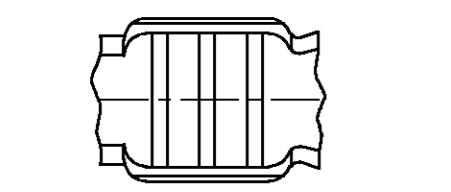
1. REVERSE REEL OF 61271-1 FOR MINI-APPLICATOR.
2. TERMINATE PER AMP SPECIFICATION 115-8000.
3. WIRE RANGE: 22-18 GA. (0.3-0.9mm²)
4. INSULATION DIAMETER 2.67 [.105] MAX.
- 5 MATERIAL: 0.31 [.012] BRASS 80-95000 PSI TENSILE STRENGTH.



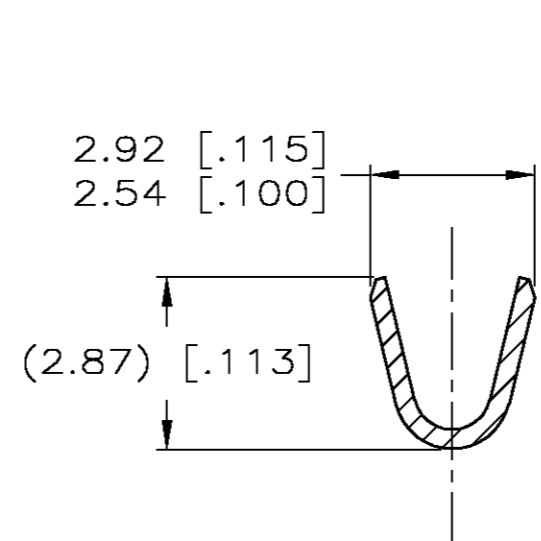
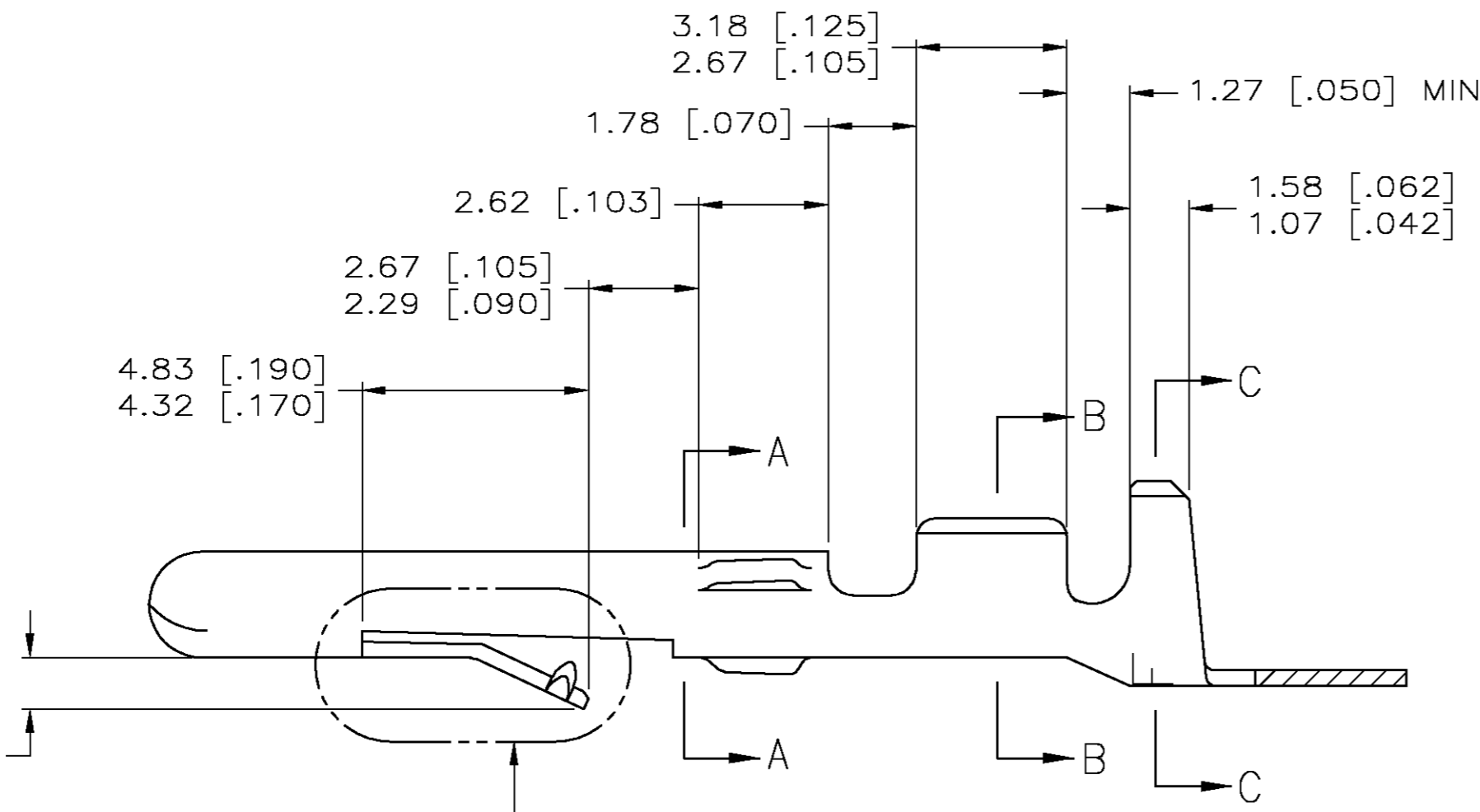
DETAIL A
SCALE 20:1



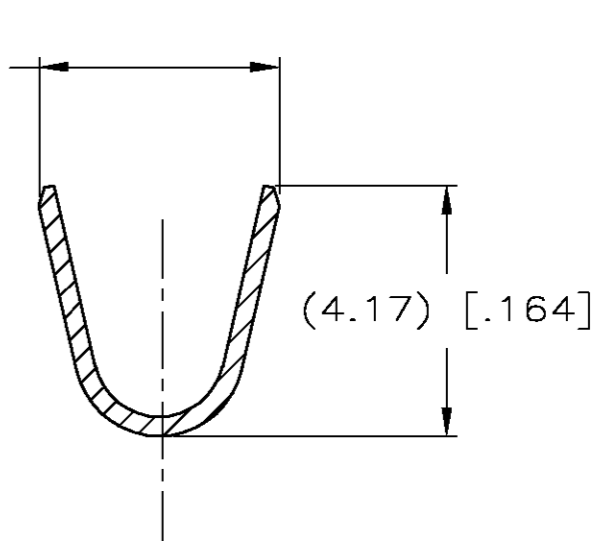
SECTION A-A
SCALE 16:1



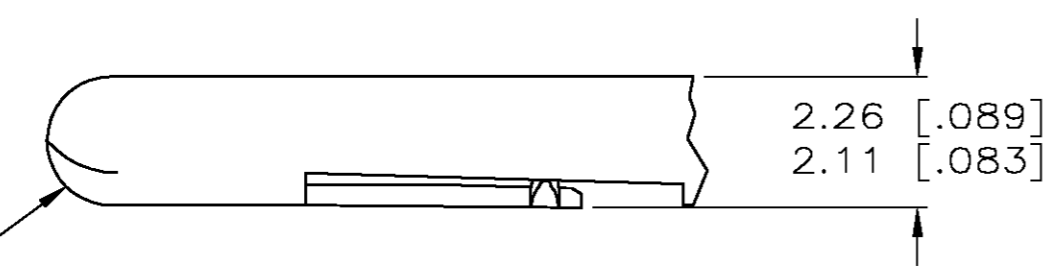
SERRATIONS
ALTERNATE PATTERN



SECTION B-B



SECTION C-C



NOSE IS CLOSED WITH 0.51 [.020] MAX FLAT.
 0.25 [.010] MAX HORIZONTAL TAB PERMITTED.
 0.25 [.010] DIA PIN DOES NOT ENTER.

METRIC

61296-1
PART NO.

THIS DRAWING IS A CONTROLLED DOCUMENT.		DWN S. HOOVER 08-JAN-2004	tyco Electronics	Tyco Electronics Corporation Harrisburg, PA 17105-3608	
DIMENSIONS: MM [INCHES]		CHK D. COLEY 08-JAN-2004		NAME	
TOLERANCES UNLESS OTHERWISE SPECIFIED:		APVD D. COLEY 08-JAN-2004	PRODUCT SPEC		
0 PLC ±		APPLICATION SPEC			
1 PLC ±		WEIGHT			
2 PLC ±		SIZE CAGE CODE DRAWING NO			
3 PLC ± 0.13 [.005]		A2 00779 C=61296			
4 PLC ±		RESTRICTED TO			
ANGLES ±		CUSTOMER DRAWING			
FINISH		SCALE 8:1 SHEET 1 OF 1 REV G			
PRE-TIN					