



Chipsmall Limited consists of a professional team with an average of over 10 year of expertise in the distribution of electronic components. Based in Hongkong, we have already established firm and mutual-benefit business relationships with customers from,Europe,America and south Asia,supplying obsolete and hard-to-find components to meet their specific needs.

With the principle of “Quality Parts,Customers Priority,Honest Operation,and Considerate Service”,our business mainly focus on the distribution of electronic components. Line cards we deal with include Microchip,ALPS,ROHM,Xilinx,Pulse,ON,Everlight and Freescale. Main products comprise IC,Modules,Potentiometer,IC Socket,Relay,Connector.Our parts cover such applications as commercial,industrial, and automotives areas.

We are looking forward to setting up business relationship with you and hope to provide you with the best service and solution. Let us make a better world for our industry!



Contact us

Tel: +86-755-8981 8866 Fax: +86-755-8427 6832

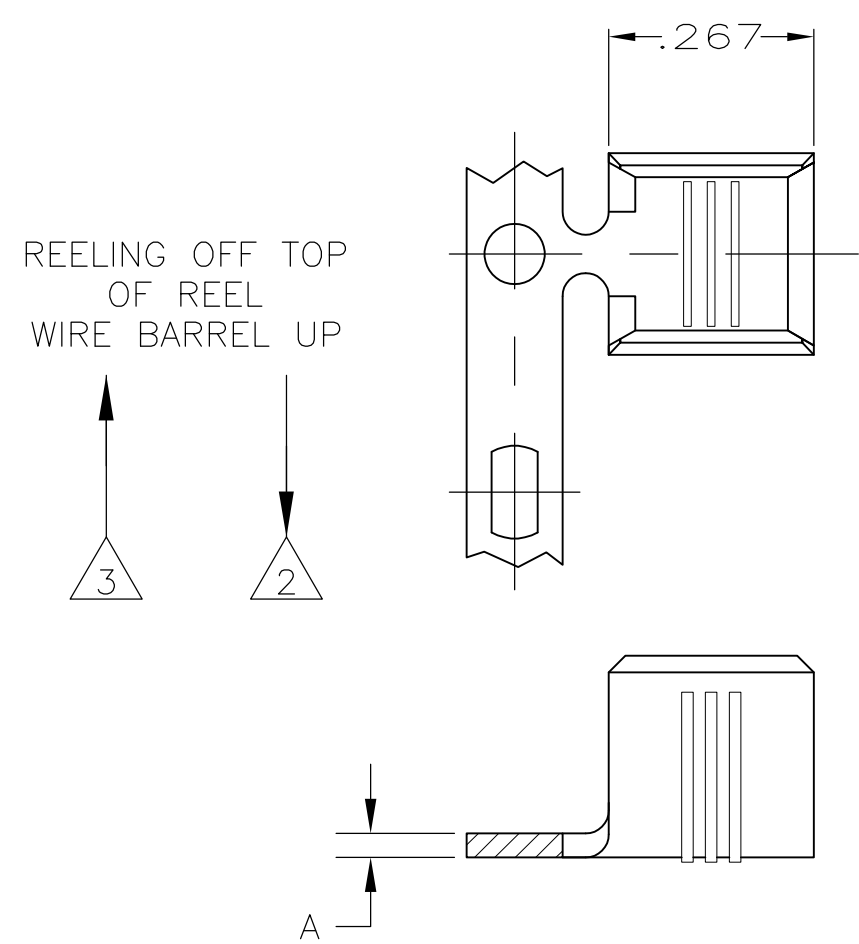
Email & Skype: info@chipsmall.com Web: www.chipsmall.com

Address: A1208, Overseas Decoration Building, #122 Zhenhua RD., Futian, Shenzhen, China

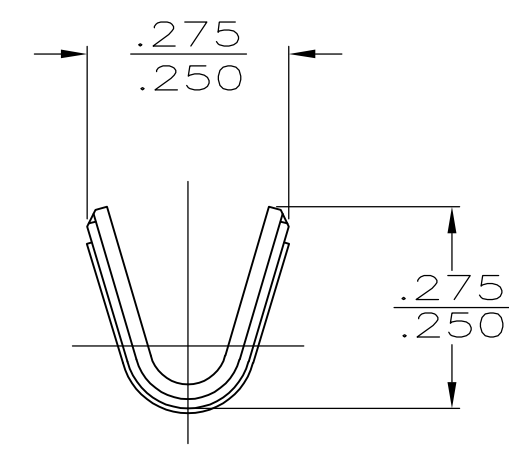


THIS DRAWING IS UNPUBLISHED. RELEASED FOR PUBLICATION
 © COPYRIGHT - By - ALL RIGHTS RESERVED.

LOC	DIST	REVISIONS					
AF	50	P	LTR	DESCRIPTION	DATE	DWN	APVD
		S1		REVISED PER ECO-11-005027	11MAR11	RK	HMR



- 1 PRODUCT PROVIDED IN STRIP FORM ON REELS; BREAKS MAY BE PRESENT
- △2 STANDARD REELING.
- △3 REVERSE REELING.
- 4 CRIMP WIDTH: .180 F TYPE
 CRIMP HEIGHT: (±.002) = (TOTAL CMA + 28,300) / 289,800
 FOR APPLICATOR INFORMATION CALL: 1-800-722-1111
 FOR PRODUCT INFORMATION CALL: 1-800-522-6752
- △5 WIRE RANGE FOR NEW APPLICATIONS: 7000-12,000 CMA
 (WIRE RANGE APPROVED FOR APPLICATIONS IMPLEMENTED PRIOR TO 2005: 9000-16,000 CMA).



△3	.031±.001	△5	TIN	STEEL	61299-8
			NONE	BRASS	61299-3
△2	.032±.001		TIN	STEEL	61299-2
	.031±.001				61299-1
REELING	A	CMA WIRE SIZE	FINISH	MATERIAL	PART NUMBER

THIS DRAWING IS A CONTROLLED DOCUMENT.

DIMENSIONS: INCHES	TOLERANCES UNLESS OTHERWISE SPECIFIED:	DWN 19DEC2002 MICHAEL S. FEHER	STE TE Connectivity
	0 PLC ± - 1 PLC ± - 2 PLC ± - 3 PLC ± .010 4 PLC ± - ANGLES ± -	CHK 19DEC2002 GARY PORTA APVD 19DEC2002 GARY PORTA	
MATERIAL SEE TABLE	FINISH SEE TABLE	PRODUCT SPEC -	NAME SPLICE
		APPLICATION SPEC 114-2088	SIZE A3
		WEIGHT -	CAGE CODE 00779
		CUSTOMER DRAWING	DRAWING NO C-61299
			RESTRICTED TO -
			SCALE 4:1
			SHEET 1 OF 1
			REV S1