



Chipsmall Limited consists of a professional team with an average of over 10 year of expertise in the distribution of electronic components. Based in Hongkong, we have already established firm and mutual-benefit business relationships with customers from,Europe,America and south Asia,supplying obsolete and hard-to-find components to meet their specific needs.

With the principle of "Quality Parts,Customers Priority,Honest Operation,and Considerate Service",our business mainly focus on the distribution of electronic components. Line cards we deal with include Microchip,ALPS,ROHM,Xilinx,Pulse,ON,Everlight and Freescale. Main products comprise IC,Modules,Potentiometer,IC Socket,Relay,Connector.Our parts cover such applications as commercial,industrial, and automotives areas.

We are looking forward to setting up business relationship with you and hope to provide you with the best service and solution. Let us make a better world for our industry!



Contact us

Tel: +86-755-8981 8866 Fax: +86-755-8427 6832

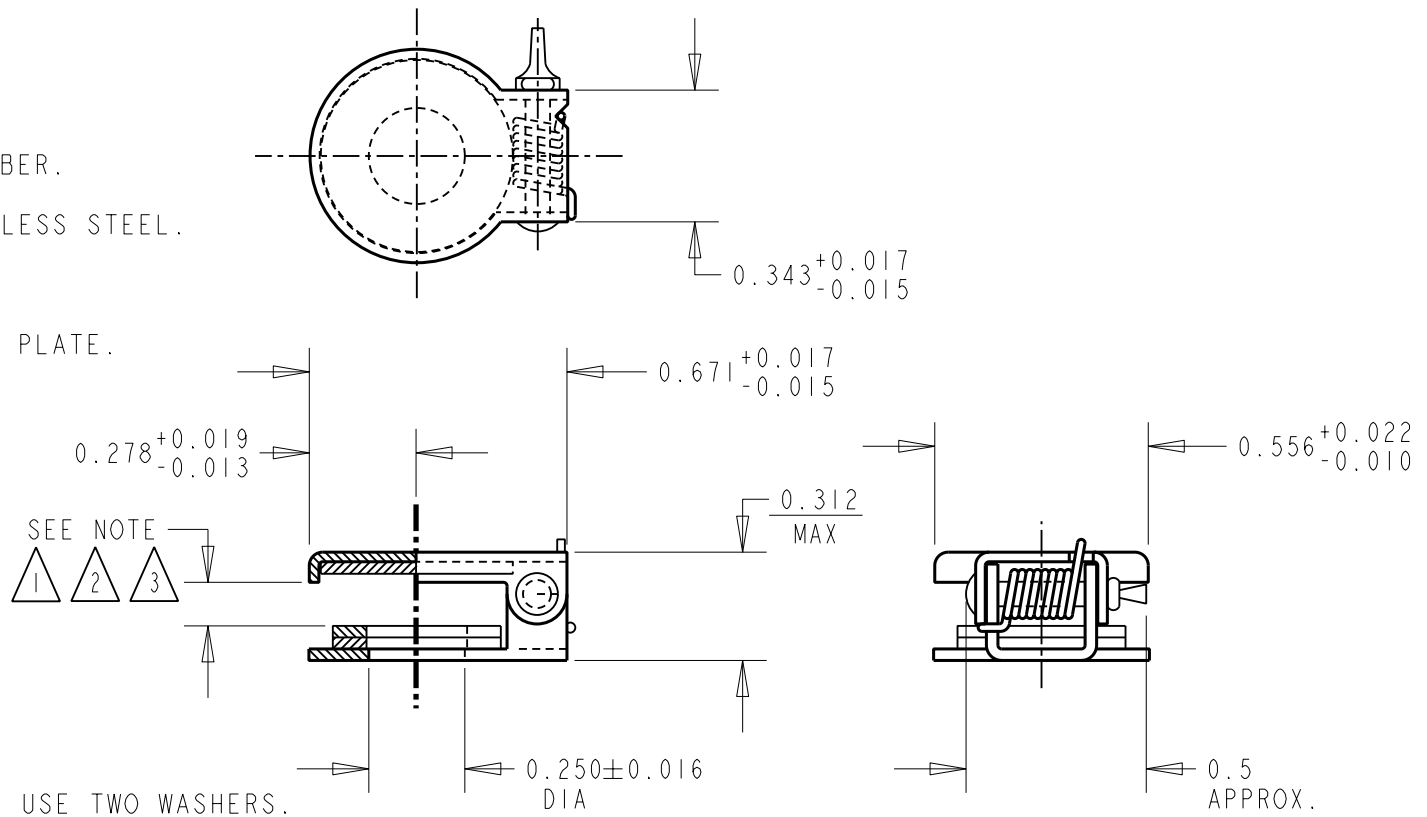
Email & Skype: info@chipsmall.com Web: www.chipsmall.com

Address: A1208, Overseas Decoration Building, #122 Zhenhua RD., Futian, Shenzhen, China



MATERIALS:

1. COVER AND BASE-STEEL - BRIGHT NICKEL PLATE.
2. GASKET - SYNTHETIC RUBBER.
3. TORSION SPRING - STAINLESS STEEL.
4. AXLE - STAINLESS STEEL
5. WASHERS-STEEL - NICKEL PLATE.



NOTES:

- 1 0.125 APPROX. HIGH HEAD, USE TWO WASHERS.
- 2 0.156 APPROX. HIGH HEAD, USE ONE WASHER.
- 3 0.188 APPROX. HIGH HEAD, USE NO WASHERS.

CUSTOMER DRAWING

| | | | | | | | | | | | | |
|-----------|------------|---------|----|------|---|--|-------|----------------|---------------|---------------------|-------|----|
| | | | | | ★ STAR SYMBOL DENOTES CRITICAL DIMENSION | THIS DRAWING DESCRIBES A DESIGN CONSIDERED PROPRIETARY IN NATURE, DEVELOPED AND MANUFACTURED BY SWITCHCRAFT INC. AND IS RELEASED ON A CONFIDENTIAL BASIS FOR IDENTIFICATION PURPOSES ONLY. | | | | | | |
| | | | | | UNLESS OTHERWISE SPECIFIED | SIZE | WIDTH | MULT | LBS/M | TEMPER | | |
| | | | | | 1. ALL DIMENSIONS IN INCHES - TWO PLACE DECIMALS ± 0.01 - THREE PLACE DECIMALS ± 0.005 - ANGLES $\pm 1^\circ$ - ALL DIA. CONCENTRIC WITHIN 0.005 T.I.R. | FINISH | | MATERIAL | | | | |
| | | | | | 2. FEATURES ON THE SAME CENTERLINE MUST BE ALIGNED WITHIN ± 0.002 | SPEC No. | | SPEC No. | | | | |
| | | | | | 3. REMOVE ALL BURRS | FIRST USED ON | | SCALE | | Switchcraft® | | |
| E | ECO #22434 | 11-6-98 | RC | JF | | DATE DRAWN | BY | CHKD | APVD | | SHEET | OF |
| | | | | | | 4-22-64 | IRT | CJW 4-22-64 | LG 4-23-64 | | | |
| REV | ECO NUMBER | DATE | BY | APVD | DO NOT SCALE DRAWING | NAME | | | PART No. | | REV | |
| REVISIONS | | | | | | TIP JAX COVER ASSY (NICKEL PLATED) | | | 612 | | E | |