



Chipsmall Limited consists of a professional team with an average of over 10 year of expertise in the distribution of electronic components. Based in Hongkong, we have already established firm and mutual-benefit business relationships with customers from,Europe,America and south Asia,supplying obsolete and hard-to-find components to meet their specific needs.

With the principle of “Quality Parts,Customers Priority,Honest Operation,and Considerate Service”,our business mainly focus on the distribution of electronic components. Line cards we deal with include Microchip,ALPS,ROHM,Xilinx,Pulse,ON,Everlight and Freescale. Main products comprise IC,Modules,Potentiometer,IC Socket,Relay,Connector.Our parts cover such applications as commercial,industrial, and automotives areas.

We are looking forward to setting up business relationship with you and hope to provide you with the best service and solution. Let us make a better world for our industry!



Contact us

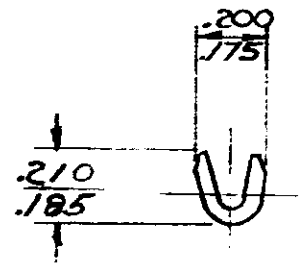
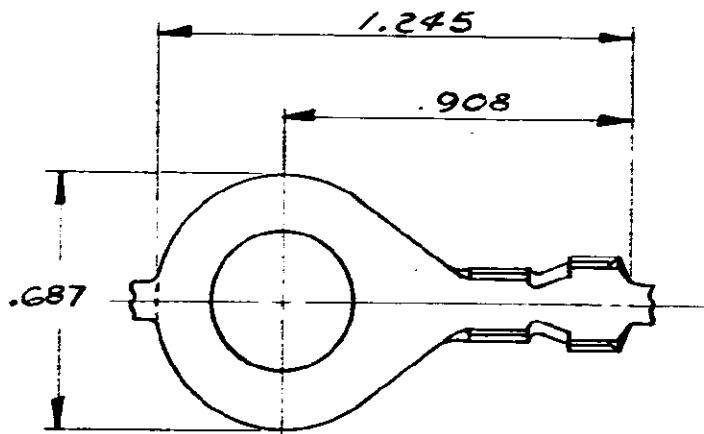
Tel: +86-755-8981 8866 Fax: +86-755-8427 6832

Email & Skype: info@chipsmall.com Web: www.chipsmall.com

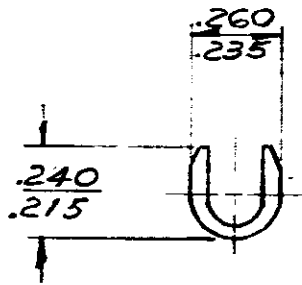
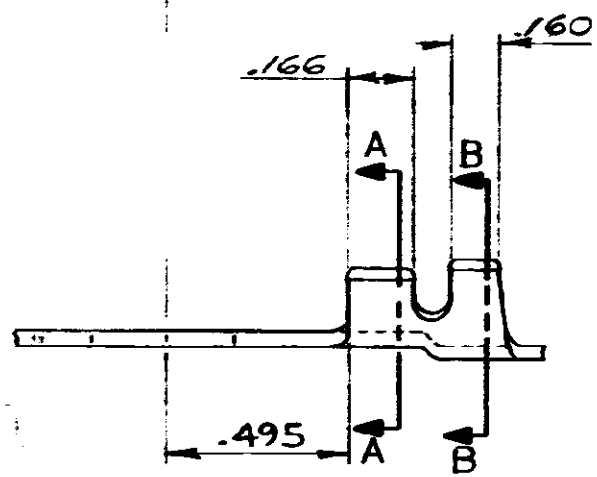
Address: A1208, Overseas Decoration Building, #122 Zhenhua RD., Futian, Shenzhen, China



S
NUMBER
61336



SECT. - A-A



SECT. - B-B

CONTINUOUS STRIP, ON REELS

WIRE SIZE A.W.G.	INSULATION RANGE	STUD #	HOLE DIA. ±.005	MATERIAL AND FINISH	TERMINAL NUMBER
16-14	.120 - 180	3/8	.390	.040 - BRASS - TIN	61336-1

Unpublished copy not to be reproduced nor published without written permission of AMP Incorporated

DIMENSIONS IN INCHES. DO NOT SCALE PRINT.

©1967 BY AMP INCORPORATED. ALL RIGHTS RESERVED. AMP PRODUCTS COVERED BY PATENTS AND/OR PATENTS PENDING.

**CUSTOMER COPY
REFERENCE ONLY**

B	.495	500	PER A-5349	11/1/67
A	REVISED	RELEASED	A-1129	NEN 11/1/67
-	PER	SCR	A-119	
-	WAS	P-29877		
CTR	REVISION RECORD	DR	CHK	DATE
DR	C.NEYERS	11-9-67		
CHK	C.NEYERS	11-9-67	APP	11-13-67

MATERIAL AND FINISH

WIRE — RANGE — INSULATION

AMP AMP INCORPORATED
HARRISBURG, PENNSA.

CLASS — 11 —
TYPE — 11 —

TOLERANCE EXCEPT AS NOTED ±.015 ± 1°

SCALE 2-1

LOC AF, A

NO 61336

REV B

NAME RING

PRINTED
50