



Chipsmall Limited consists of a professional team with an average of over 10 year of expertise in the distribution of electronic components. Based in Hongkong, we have already established firm and mutual-benefit business relationships with customers from,Europe,America and south Asia,supplying obsolete and hard-to-find components to meet their specific needs.

With the principle of "Quality Parts,Customers Priority,Honest Operation,and Considerate Service",our business mainly focus on the distribution of electronic components. Line cards we deal with include Microchip,ALPS,ROHM,Xilinx,Pulse,ON,Everlight and Freescale. Main products comprise IC,Modules,Potentiometer,IC Socket,Relay,Connector.Our parts cover such applications as commercial,industrial, and automotives areas.

We are looking forward to setting up business relationship with you and hope to provide you with the best service and solution. Let us make a better world for our industry!



Contact us

Tel: +86-755-8981 8866 Fax: +86-755-8427 6832

Email & Skype: info@chipsmall.com Web: www.chipsmall.com

Address: A1208, Overseas Decoration Building, #122 Zhenhua RD., Futian, Shenzhen, China



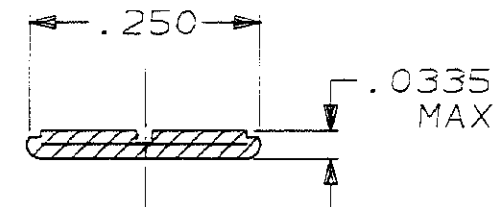
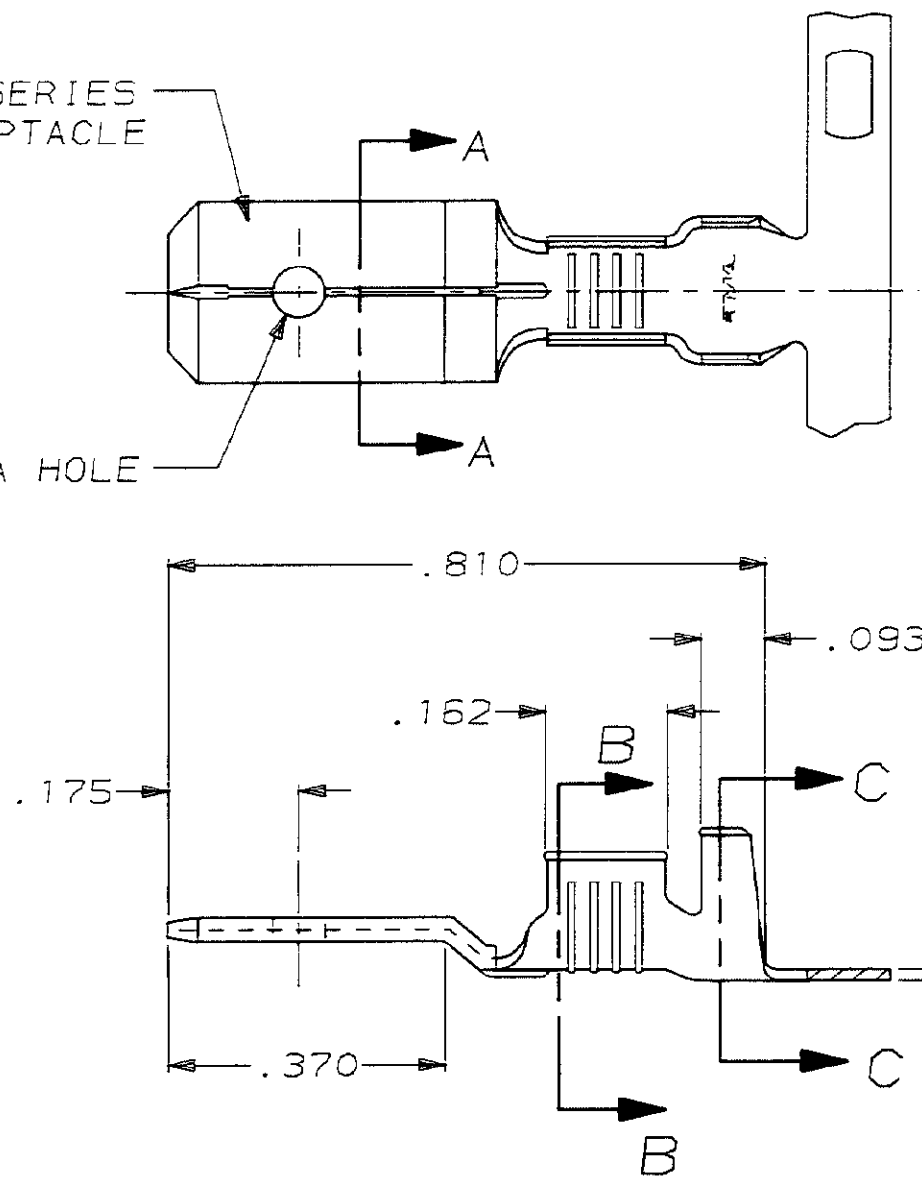
THIS DRAWING IS UNPUBLISHED. RELEASED FOR PUBLICATION
 © COPYRIGHT 19 BY AMP INCORPORATED. ALL INTERNATIONAL RIGHTS RESERVED.

LOC	DIST	P	F	ZONE	LTR	REVISIONS	DATE	APPD
AF	50				F	REDRAWN AF-7183	1/31/91	JR/MF
						DESCRIPTION		

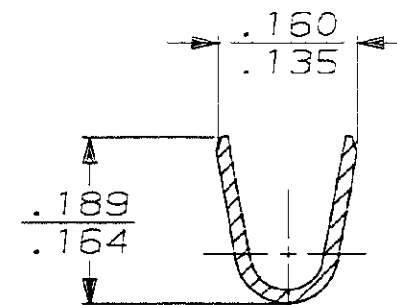
1 CONTINUOUS STRIP ON REELS.

FITS .250 SERIES FASTON RECEPTACLE

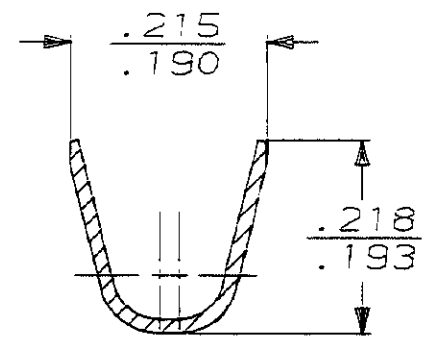
.075
.060 DIA HOLE



SECTION A-A
SCALE 5:1



SECTION B-B
SCALE 5:1



SECTION C-C
SCALE 5:1

OBSOLETE	TIN .000080 MIN	.110-.170 DIA	14-12 AWG	61362-3
	SILVER .000150 MIN			61362-2
OBSOLETE				61362-1
FINISH		INSULATION RANGE	WIRE SIZE	PART NO
DO NOT SCALE PRINT. UNLESS SPECIFIED DIMENSIONS ARE IN INCHES. TOLERANCES ON: 2 PLC DEC = - 3 PLC DEC = .015 ANGLES = -		DR 1/31/91 JR RUTH CHK 1/31/91 MS FEHER APPD 1/31/91 C MEYERS	AMP Incorporated Harrisburg, PA 17105-3608	
MATERIAL #2H BRASS		APPD 1/31/91 D REINER PRODUCT SPEC	NAME TAB, FASTON TM .250 SERIES	
FINISH SEE TABLE		APPLICATION SPEC	SIZE B	CAGE CODE 00779
		WEIGHT	DRAWING NO 61362	
			SCALE 4:1	SHEET 1 OF 1