



Chipsmall Limited consists of a professional team with an average of over 10 year of expertise in the distribution of electronic components. Based in Hongkong, we have already established firm and mutual-benefit business relationships with customers from,Europe,America and south Asia,supplying obsolete and hard-to-find components to meet their specific needs.

With the principle of “Quality Parts,Customers Priority,Honest Operation,and Considerate Service”,our business mainly focus on the distribution of electronic components. Line cards we deal with include Microchip,ALPS,ROHM,Xilinx,Pulse,ON,Everlight and Freescale. Main products comprise IC,Modules,Potentiometer,IC Socket,Relay,Connector.Our parts cover such applications as commercial,industrial, and automotives areas.

We are looking forward to setting up business relationship with you and hope to provide you with the best service and solution. Let us make a better world for our industry!



## Contact us

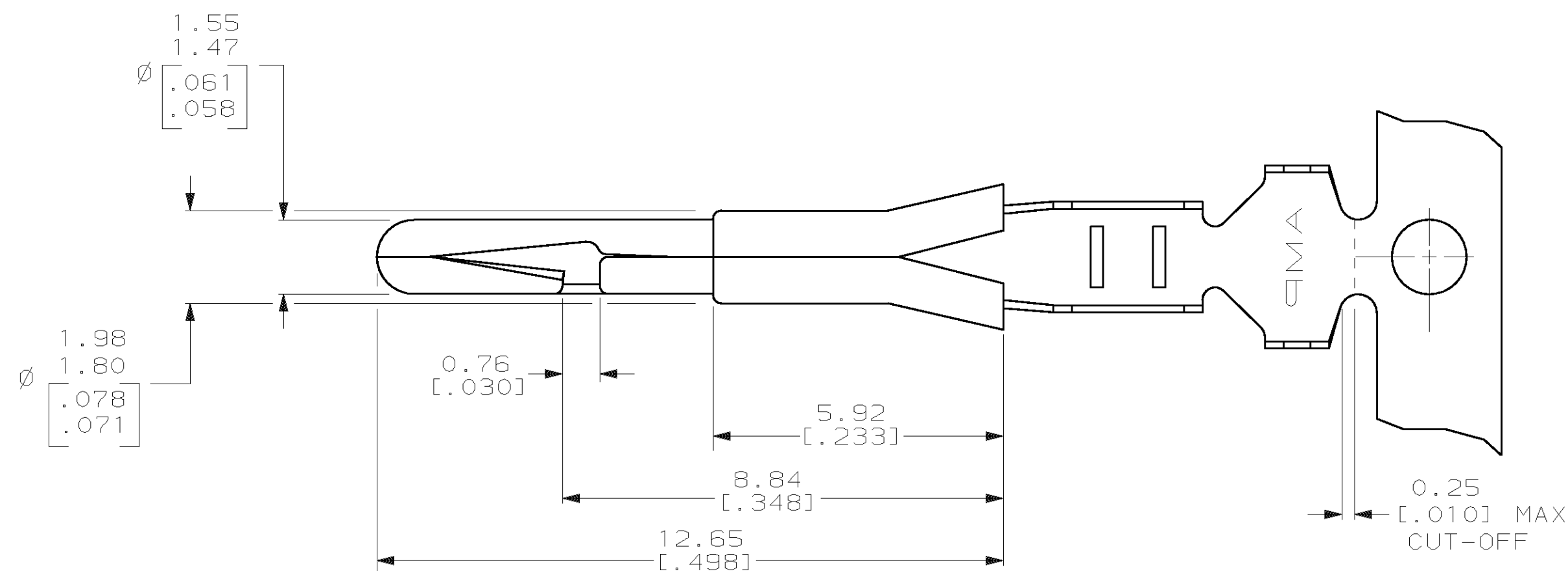
Tel: +86-755-8981 8866 Fax: +86-755-8427 6832

Email & Skype: info@chipsmall.com Web: www.chipsmall.com

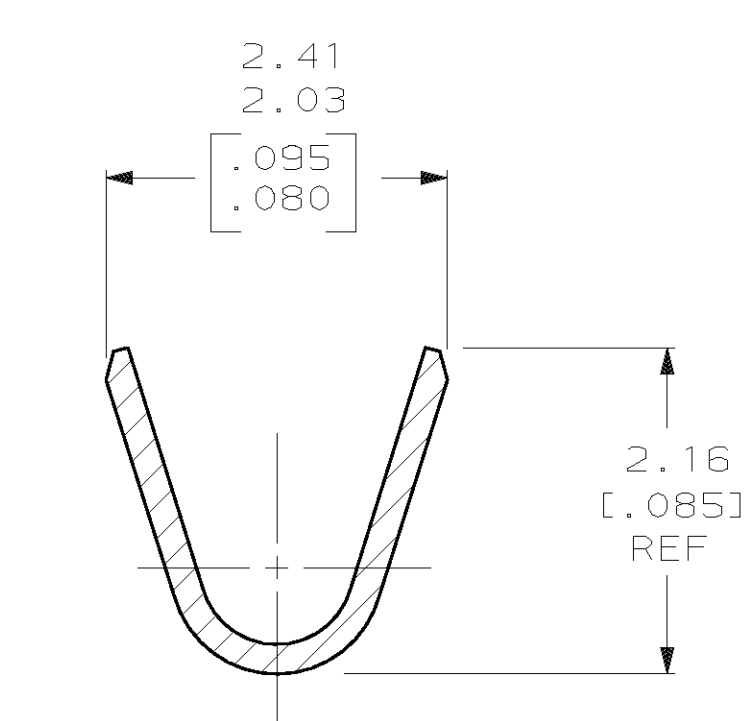
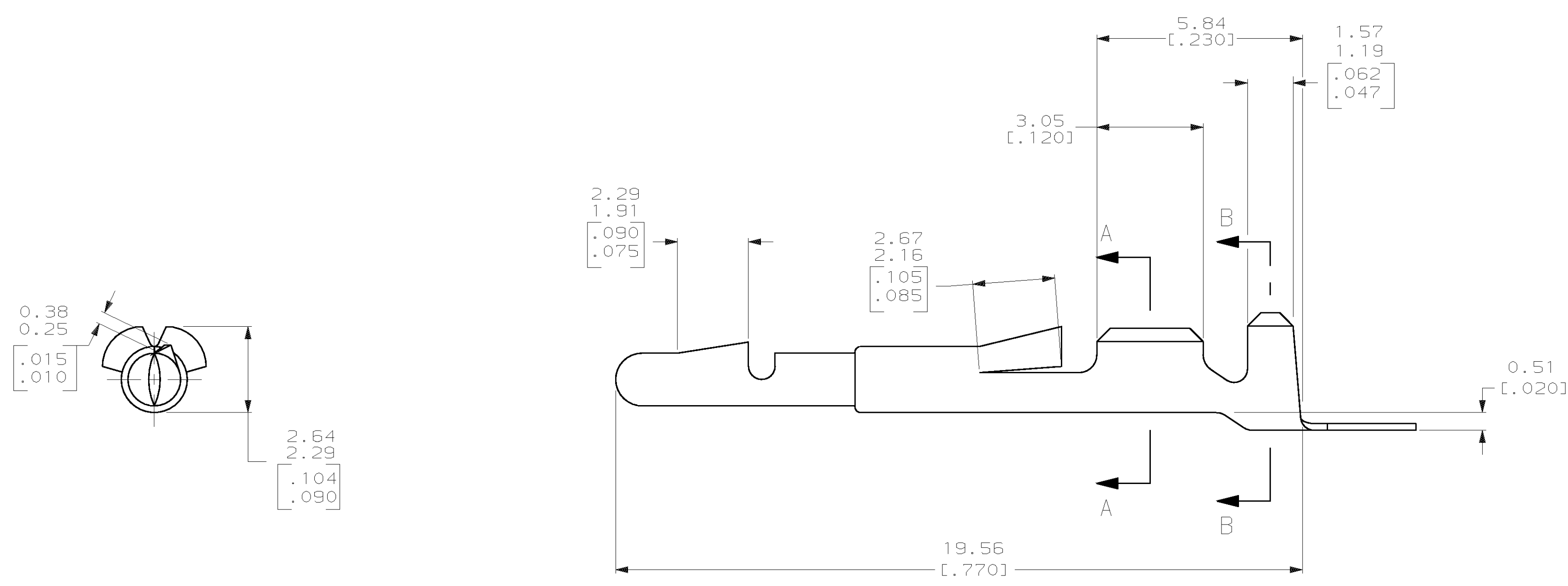
Address: A1208, Overseas Decoration Building, #122 Zhenhua RD., Futian, Shenzhen, China



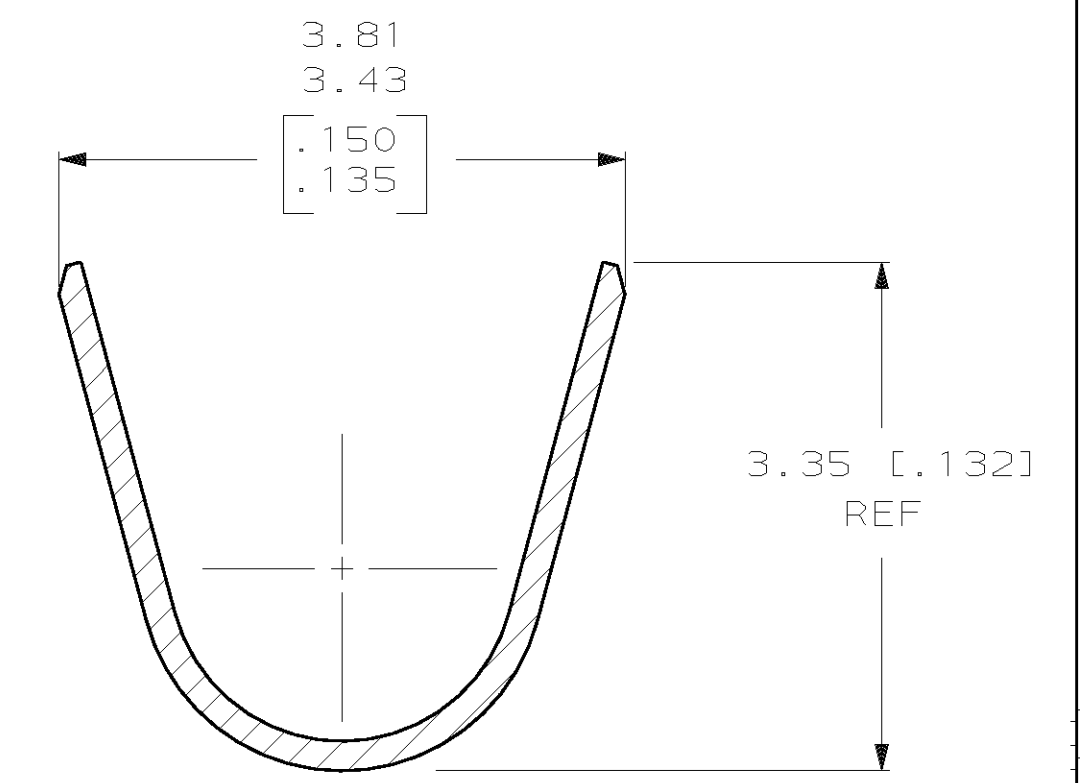
LOC		DIST		P		F		ZONE		LTR		REVISIONS		DATE	APPC
AF	50											V	REV PER 061A-0150-99	MAY99	JR DB



1. CONTINUOUS STRIP ON REELS.
2. INSULATION RANGE:  $\varnothing$  1.52-2.79 [.060-.110].  
WIRE RANGE: 0.3-0.9 mm<sup>2</sup> [22-18] AWG.
3. DIMENSIONS IN BRACKETS ARE IN INCHES.



SECTION A-A  
SCALE 20:1



SECTION B-B  
SCALE 20:1

61366-1  
PART NUMBER

DO NOT SCALE PRINT. UNLESS SPECIFIED DIMENSIONS IN MM [INCHES] TOLERANCES ON: 2 PLC DEC ± 0.13 (.005) 3 PLC DEC ± - ANGLES ± -		DR 6-26-90 B. LEWIS	AMP INCORPORATED Harrisburg, Pa. 17105		
MATERIAL 0.20 [.008] BRASS		CHK 6-26-90 R. SWING			
FINISH PRE-TIN		APPD 6-27-90 D. SELF	APPD 6-26-90 D. SELF	PRODUCT SPEC -	SIZE D
APPLICATION SPEC -		WEIGHT -	SCALE 10:1	FSCM NO 00779	DRAWING NO 61366
				SHEET 1 OF 1	

METRIC