



Chipsmall Limited consists of a professional team with an average of over 10 year of expertise in the distribution of electronic components. Based in Hongkong, we have already established firm and mutual-benefit business relationships with customers from,Europe,America and south Asia,supplying obsolete and hard-to-find components to meet their specific needs.

With the principle of “Quality Parts,Customers Priority,Honest Operation,and Considerate Service”,our business mainly focus on the distribution of electronic components. Line cards we deal with include Microchip,ALPS,ROHM,Xilinx,Pulse,ON,Everlight and Freescale. Main products comprise IC,Modules,Potentiometer,IC Socket,Relay,Connector.Our parts cover such applications as commercial,industrial, and automotives areas.

We are looking forward to setting up business relationship with you and hope to provide you with the best service and solution. Let us make a better world for our industry!



Contact us

Tel: +86-755-8981 8866 Fax: +86-755-8427 6832

Email & Skype: info@chipsmall.com Web: www.chipsmall.com

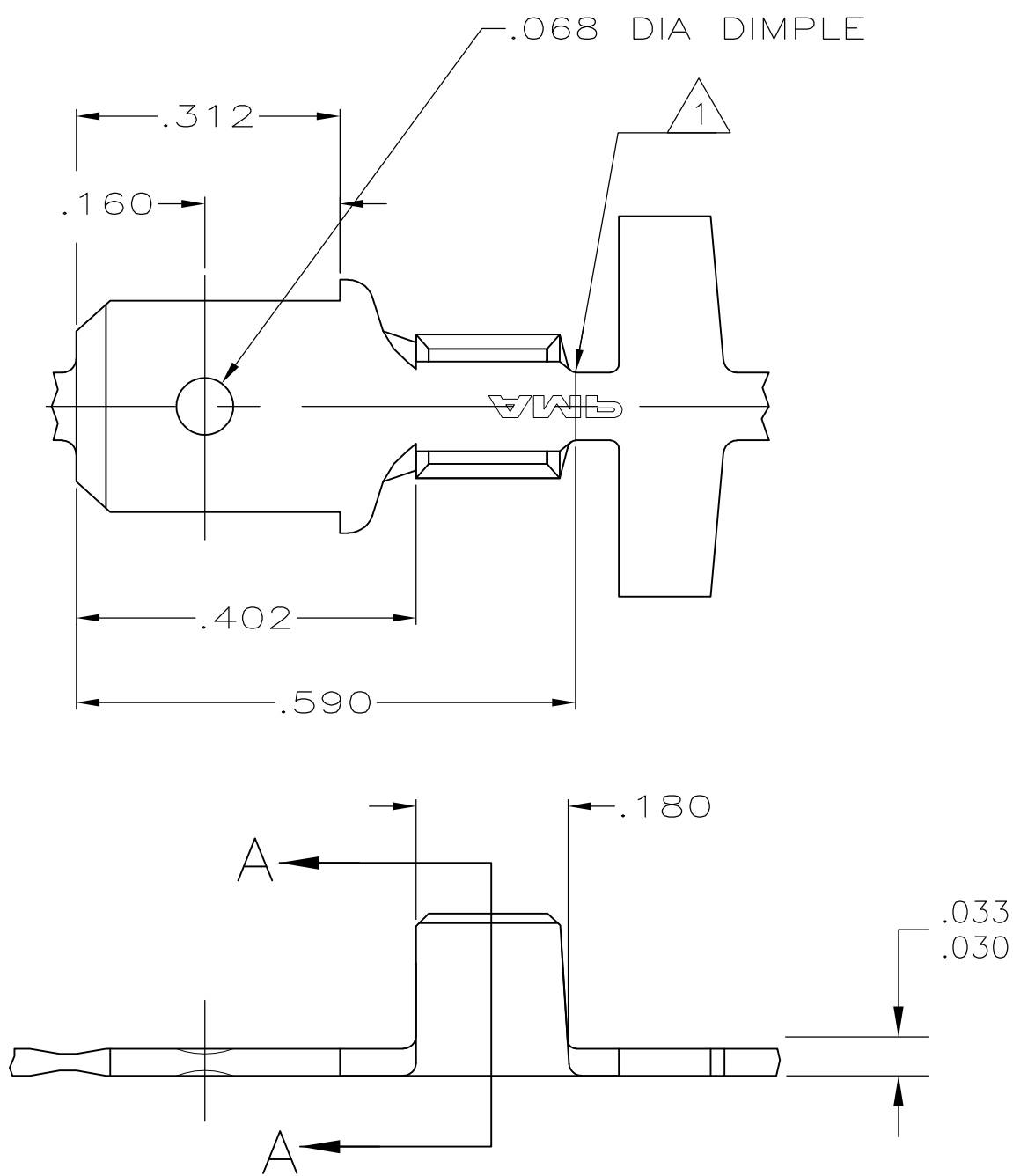
Address: A1208, Overseas Decoration Building, #122 Zhenhua RD., Futian, Shenzhen, China



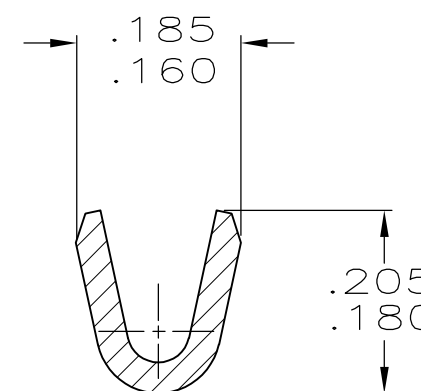
THIS DRAWING IS UNPUBLISHED. RELEASED FOR PUBLICATION

© COPYRIGHT BY TYCO ELECTRONICS CORPORATION. ALL RIGHTS RESERVED.

LOC	DIST	REVISIONS					
AF	50	P	LTR	DESCRIPTION	DATE	DWN	APVD
			H	REVISED PER ECR-10-004058	08JUN10	HMR	PD



- 1 CUT-OFF IN APPLICATOR
- 2 CONTINUOUS STRIP ON REELS.
- 3 WIRE SIZE TO BE #18-#14 AWG.



SECTION A-A

61367-3

PART NO.

THIS DRAWING IS A CONTROLLED DOCUMENT.		DWN JR RUTH 4/1/96	Tyco Electronics Corporation Harrisburg, PA 17105-3608	
DIMENSIONS: INCHES		CHK MS FEHER 4/1/96	NAME	
TOLERANCES UNLESS OTHERWISE SPECIFIED:		APVD V KARABCIEVSCHY 4/1/96	TAB, FASTON, .250 SERIES	
0 PLC ± -		PRODUCT SPEC	RESTRICTED TO	
1 PLC ± -		APPLICATION SPEC	SIZE	CAGE CODE
2 PLC ± -		WEIGHT	A3	00779
3 PLC ± .015		CUSTOMER DRAWING	DRAWING NO	G-61367
4 PLC ± -		MATERIAL	SCALE	SHEET
ANGLES ± -		082 BRASS	5:1	1 OF 1
FINISH		TIN	REV	H